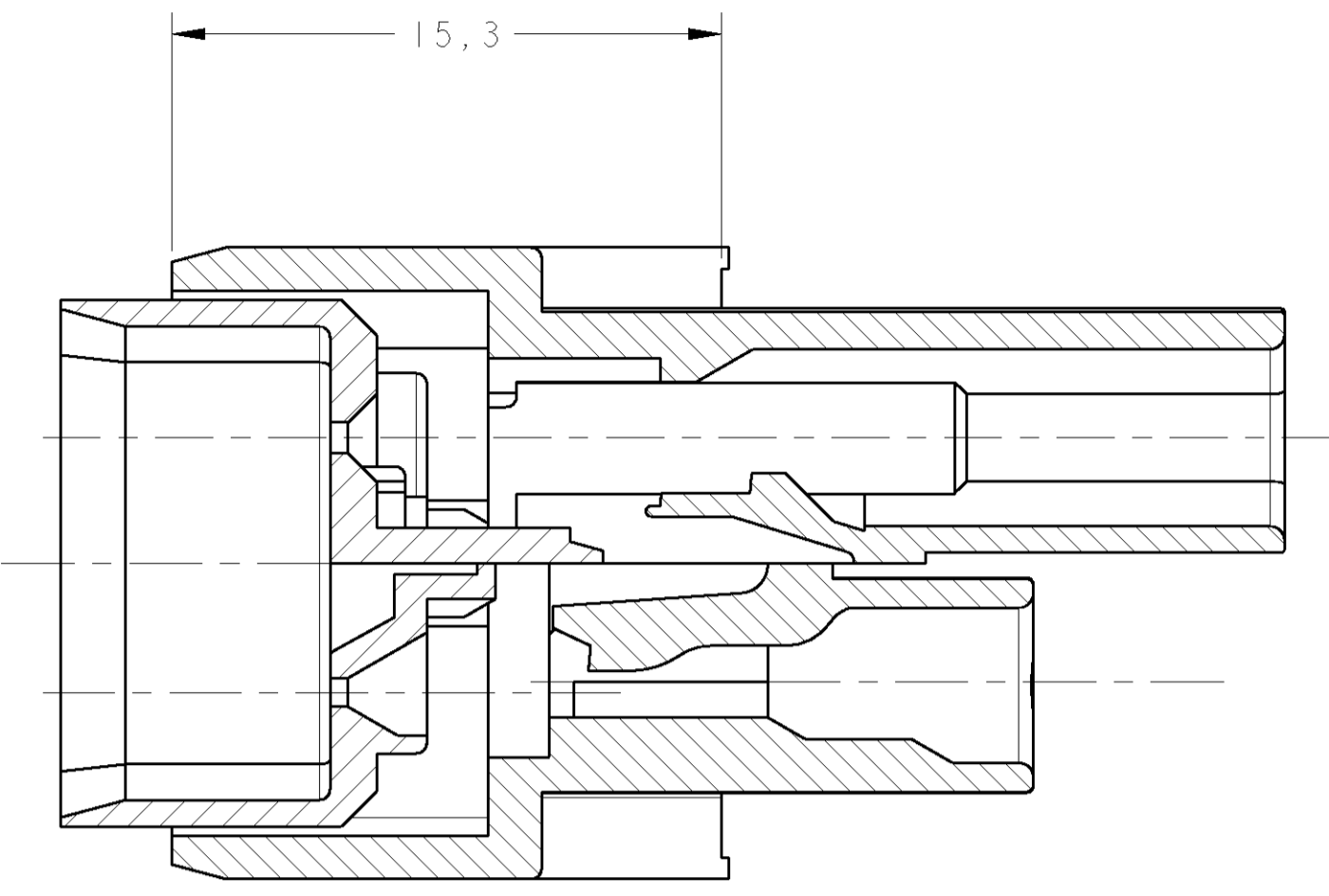
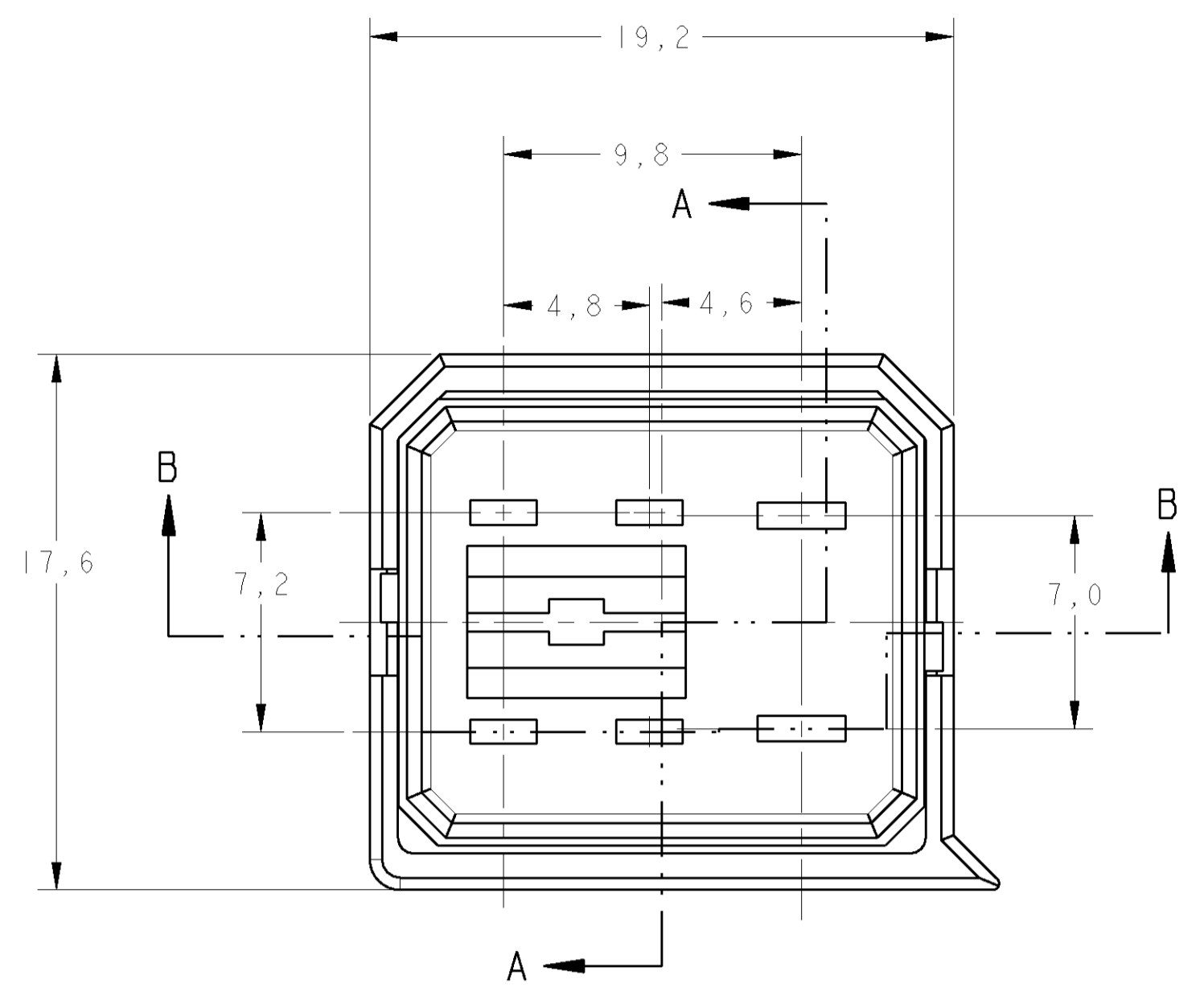
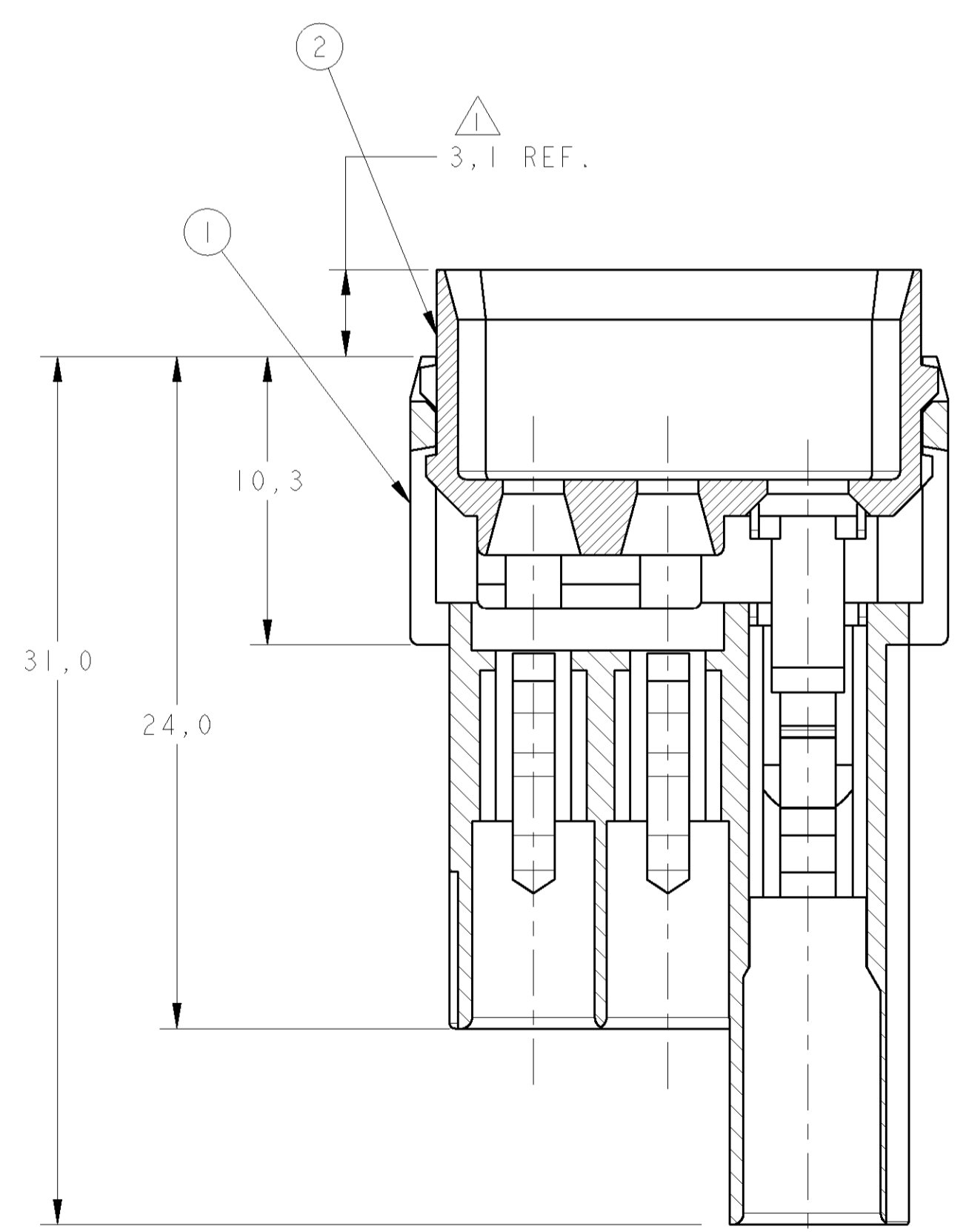
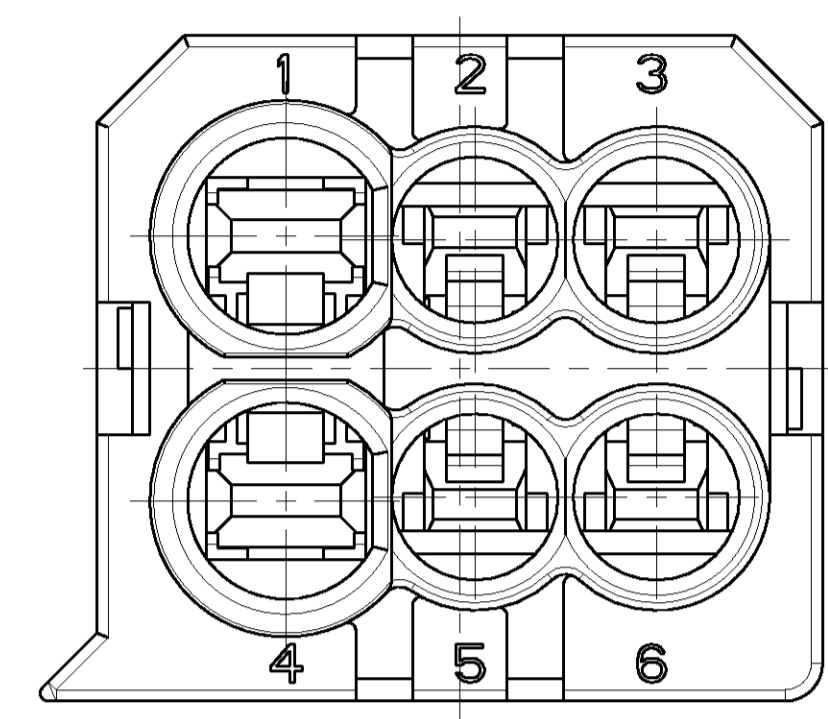


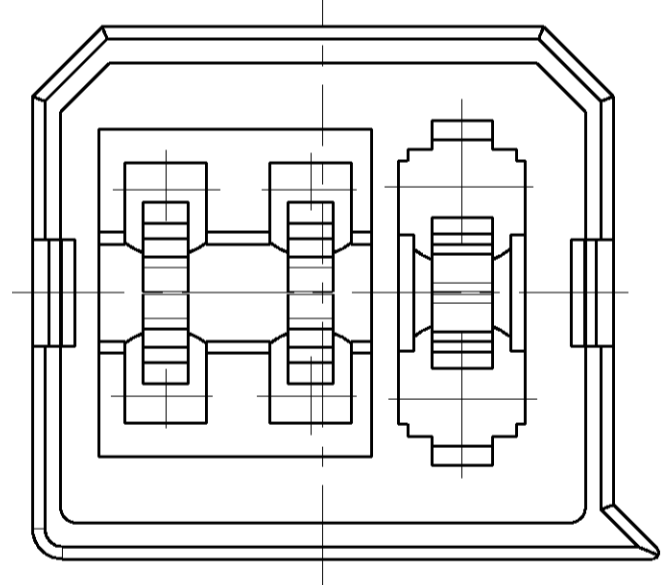
LOC	DIST	REVISIONS				
AP	-	P. LTR	DESCRIPTION	DATE	DWN	APVD
		D	REDRAW BY CAD EC LE10-0046/04	02JUL2004	MLO	PLF



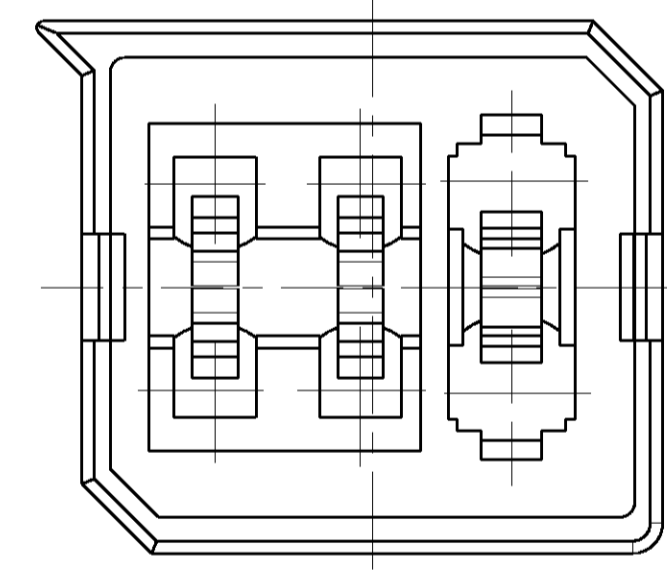
SECTION A-A



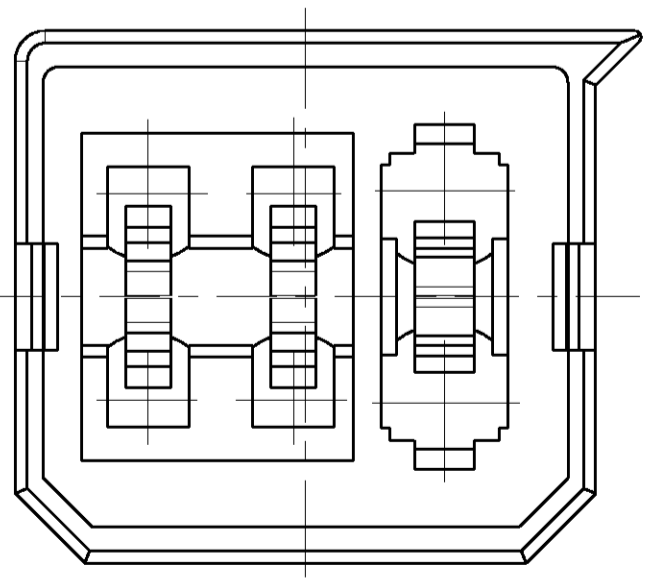
SECTION B-B



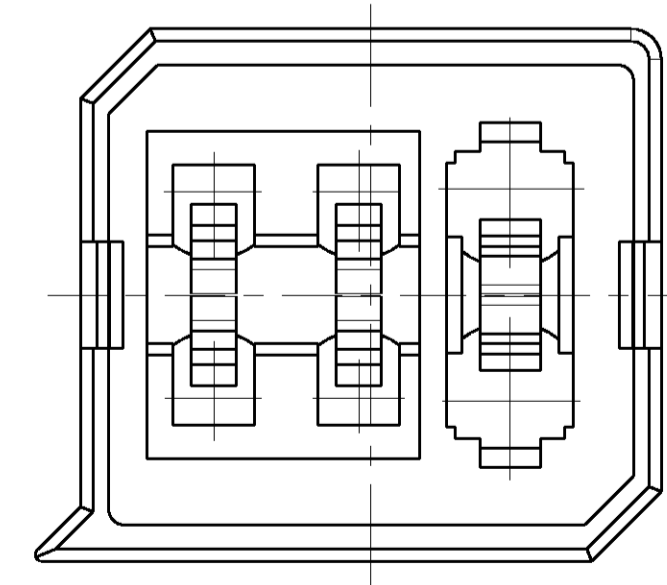
444284-9 PRETO/BLACK  
 1-444284-3 AZUL/BLUE  
 SCALE 4:1



1-444284-0 MARROM/BROWN  
 1-444284-4 BRANCO/WHITE  
 SCALE 4:1



1-444284-1 VERMELHO/RED  
 1-444285-5 VERDE/GREEN  
 SCALE 4:1



1-444284-2 VIOLETA/VIOLET  
 1-444284-6 CINZA/GRAY  
 SCALE 4:1

△-OS ITENS 1 E 2 SAO FORNECIDOS COMO MOSTRADO.  
 -ITENS 1 AND 2 ARE SUPPLIED AS SHOWN.  
 △-VER DESENHO DE CLIENTE RESTRITO 444284-VW  
 -SEE RESTRICTED CUSTOMER DRAWING 444284-VW

GRAVAÇÃO MARKING	
LOGOTIPO AMP	AMP LOGO
CÓDIGO PAÍS PRODUTOR	MANUFACTURER COUNTRY CODE
NOMENCLATURA MATERIAL	MATERIAL NOMENCLATURE
NÚMERO COMPONENTE TYCO	TYCO COMPONENT NUMBER
NÚMERO CAVIDADE	CAVITY NUMBER
IDENTIFICAÇÃO CIRCUITO	CIRCUIT IDENTIFICATION
LOGOTIPO CLIENTE	CUSTOMER LOGO
NÚMERO PEÇA CLIENTE	CUSTOMER PART NUMBER
PAÍS PRODUTOR	MANUFACTURER COUNTRY
REV+ LETRA REV.DA PEÇA	REV.+ PART REV.LETTER

ITEM	DESCRIPTION	MATERIAL	FINISH
2	SPACER, 6 POSN, JR P. TIMER/MIC TAB	P.A 6.6	AMARELO/YELLOW
1	HSG, 6 POSN, JR P. TIMER/MIC TAB	P.A 6.6	CINZA/GRAY
1	HSG, 6 POSN, JR P. TIMER/MIC TAB	P.A 6.6	VERDE/GREEN
1	HSG, 6 POSN, JR P. TIMER/MIC TAB	P.A 6.6	BRANCO/WHITE
1	HSG, 6 POSN, JR P. TIMER/MIC TAB	P.A 6.6	AZUL/BLUE
1	HSG, 6 POSN, JR P. TIMER/MIC TAB	P.A 6.6	VIOLETA/VIOLET
1	HSG, 6 POSN, JR P. TIMER/MIC TAB	P.A 6.6	VERMELHO/RED
1	HSG, 6 POSN, JR P. TIMER/MIC TAB	P.A 6.6	MARROM/BROWN
1	HSG, 6 POSN, JR P. TIMER/MIC TAB	P.A 6.6	PRETO/BLACK

REQUIRED PER ASSEMBLY			
ITEM	DESCRIPTION	MATERIAL	FINISH
444284			
DRAWN	ML OGAWA	02JUL2004	
CHKD	PL FARIA	02JUL2004	
APVD	MS OLIVEIRA	02JUL2004	
DIMENSIONS:		TOLERANCES UNLESS OTHERWISE SPECIFIED:	
mm	0 PLC	±	
	1 PLC	±0,1	
	2 PLC	±0,01	
	3 PLC	±0,001	
	4 PLC	±0,0001	
	ANGLES	±1°	
MATERIAL		FINISH	
CUSTOMER DRAWING		SCALE	4:1
DWN		ML OGAWA	02JUL2004
CHKD		PL FARIA	02JUL2004
APVD		MS OLIVEIRA	02JUL2004
PRODUCT SPEC		HSG ASSEMBLY, 6 POSN, JR P TIMER/MIC TAB	
APPLICATION SPEC			
SIZE	CAGE CODE	DRAWING NO	RESTRICTED TO
A	00779	C=444284	
TYCO ELECTRONICS do Brasil LTDA.		Sao Paulo, Brasil	

# Mouser Electronics

Authorized Distributor

Click to View Pricing, Inventory, Delivery & Lifecycle Information:

[TE Connectivity:](#)

[1-444284-5](#)