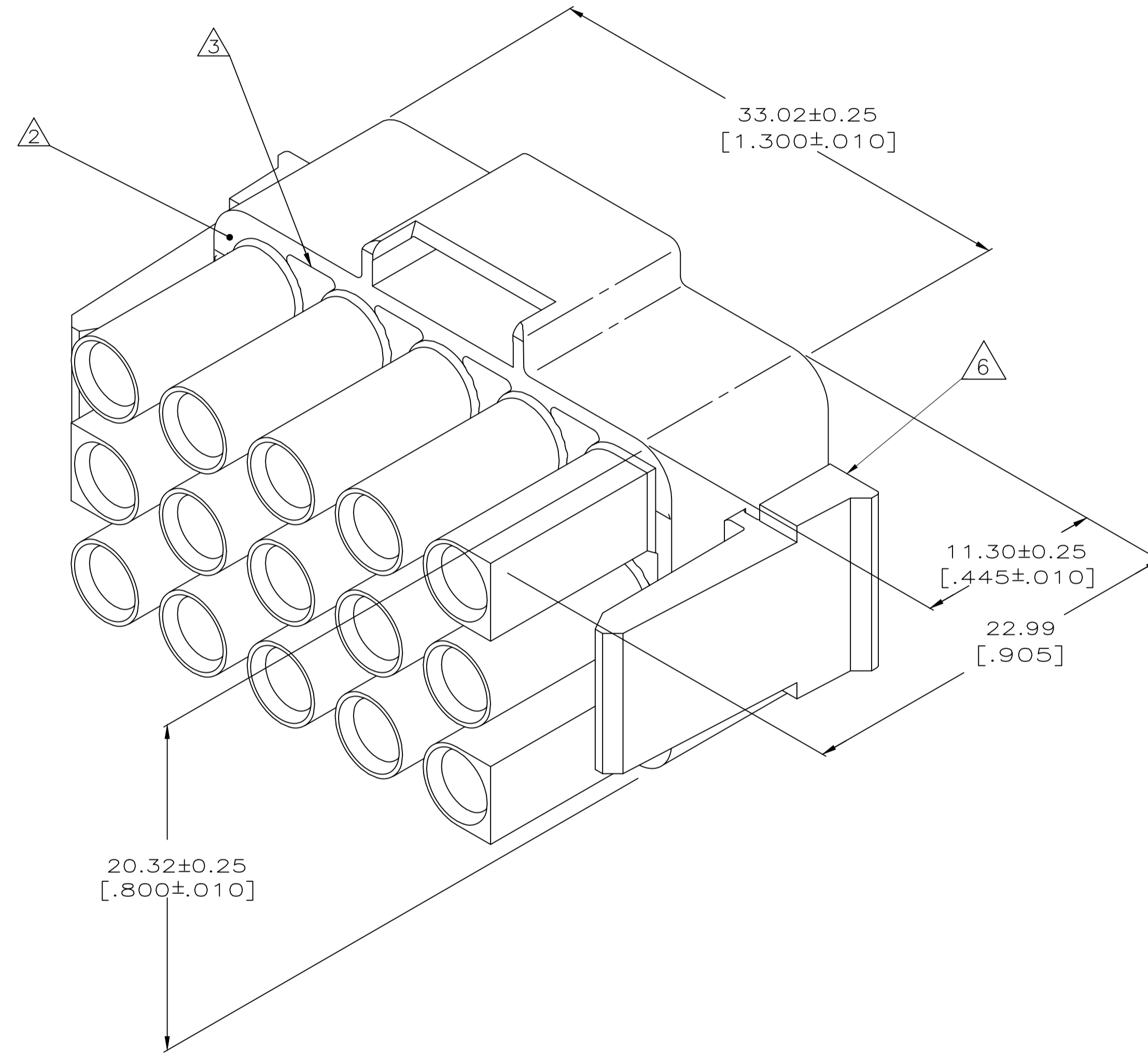


THIS DRAWING IS UNPUBLISHED. RELEASED FOR PUBLICATION
 © COPYRIGHT - TE Connectivity ALL RIGHTS RESERVED.

REVISIONS				
P	LTR	DESCRIPTION	DATE	DWN
F2		REV. ECO 17-011267	13SEP2017	KR

- MUST BE ASSEMBLED WITH PLUG REAR P/N 770044-1 BEFORE MATING. KIT P/N IS 770023-1.
- AMP LOGO LOCATED THIS SURFACE.
- NEW MOLD CONSTRUCTION PROVIDES MATERIAL REDUCTION CORING AT BASE OF SILOS WITH NO CORING AS OPTIONAL.
- DIMENSIONS SHOWN REPRESENT PRODUCT IN DRY, AS MOLDED, CONDITION. ADDITIONAL 2% GROWTH DUE TO SUBSEQUENT MOISTURE ABSORPTION MAY OCCUR AND SHOULD BE ACCOUNTED FOR.
- DIMENSIONS IN BRACKETS ARE IN INCHES.
- CSA CERTIFICATION LOGO LOCATED APPROXIMATELY AS SHOWN



770043-1
PART NUMBER

METRIC

THIS DRAWING IS A CONTROLLED DOCUMENT.		DWN K SALMON 1-15-92	TE Connectivity	
DIMENSIONS: INCHES		CHK R SWING 1-15-92	NAME	
TOLERANCES UNLESS OTHERWISE SPECIFIED:		APVD ---	PRODUCT SPEC	
0 PLC ± -		APPLICATION SPEC		
1 PLC ± -		---		
2 PLC ± -		---		
3 PLC ± 0.13 [.005]		---		
4 PLC ± -		---		
ANGLES ± -		---		
FINISH		---		
MATERIAL NYLON,UL94V-0,	WEIGHT 0	SIZE A1	CAGE CODE 00779	DRAWING NO 770043
CUSTOMER DRAWING		SCALE 5:1	SHEET 1 of 1	REV F2