

4

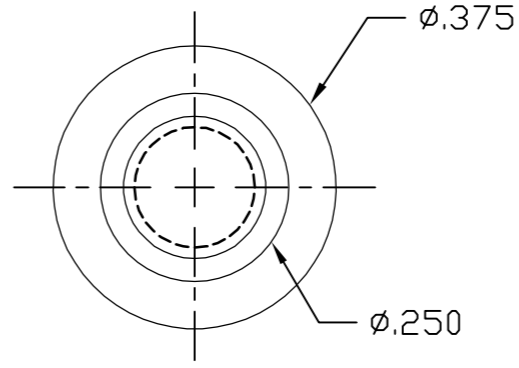
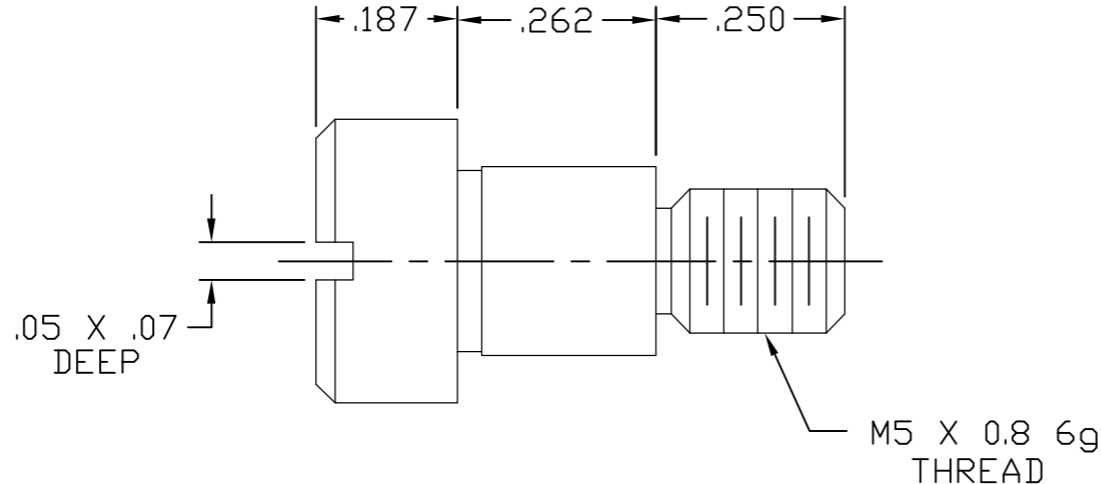
3

2

1

This drawing involves proprietary design rights of Tyco Electronics Corporation, and all design, manufacture, reproduction, use and sale rights regarding the same are expressly reserved. It is submitted for a specific purpose and the recipient by accepting this drawing, assumes custody and control and agrees to take reasonable precautions; (a) that this drawing will not be copied and reproduced, in whole or in part, or its contents revealed in any manner, or to any person except to meet the purpose for which it was delivered and (b) that any special features peculiar to this design will not be incorporated in other projects without the expressed written permission of Tyco Electronics Corporation.

| REVISIONS |     |             |        |
|-----------|-----|-------------|--------|
| EC        | REV | DESCRIPTION | DATE   |
| CPR       | A   | NEW RELEASE | 4/4/06 |



B

B

A

A

3. ELCON EQUIVALENT SERIES 902-78-02113.
2. MATERIAL: STAINLESS STEEL.
1. PART NUMBER CHANGES AND OR DESIGN CHANGES AFFECTING ITEM INTERCHANGEABILITY REQUIRE PRIOR TYCO APPROVAL AND AUTHORIZATION BY REVISION TO THIS DRAWING.

1650401-1  
TYCO PART NUMBER

|  |                           |                |  |   |
|--|---------------------------|----------------|--|---|
| INCH OR INCH (MM)<br><br>THIRD ANGLE PROJECTION<br>UNLESS OTHERWISE SPECIFIED DIMENSIONS ARE IN INCHES (METRIC)<br>TOLERANCES<br>ANGLES ± .5°<br>DECIMALS<br>.XXX ± .010 (.25)<br>.XX ± .02 (.3) | DRAWN<br>R. F. A.         | DATE<br>4/4/06 | <br>Tyco Electronics Corporation<br>Menlo Park, Ca 94025<br> |   |
|  | CHECKED                   |                |  | TITLE<br>SCREW, SHOULDER, SLOTTED<br>PRECISION, M5 X 0.8 THD<br>DRAWERS |
|  | APPROVED<br>S. FLICKINGER |                |  | SIZE DWG NUMBER<br>B C- 1650401   |
|  | DCA APPROVED              |                |  | REV.<br>A   |
| ACAD FILE NUMBER   |                           | C1650401A      | DWG SCALE 4=1 SH 1 OF 1                                      |   |

4

3

2

1

# Mouser Electronics

Authorized Distributor

Click to View Pricing, Inventory, Delivery & Lifecycle Information:

[TE Connectivity:](#)

[1650401-1](#)