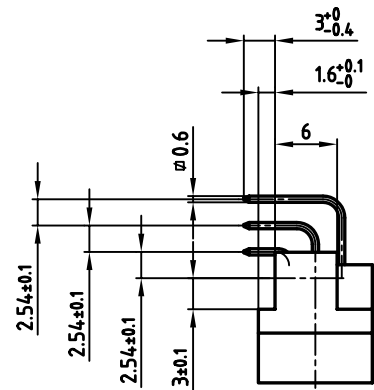
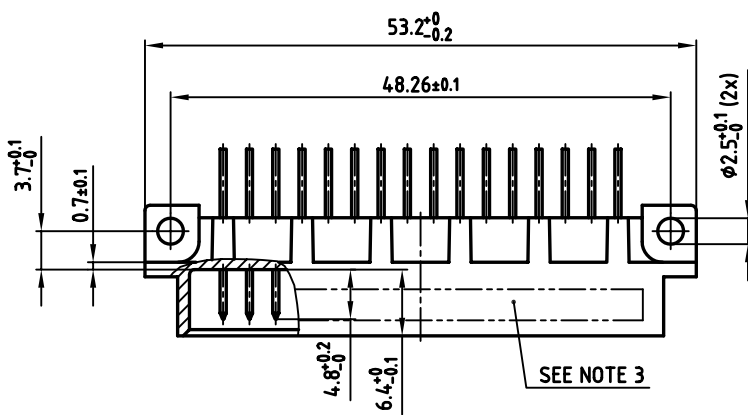
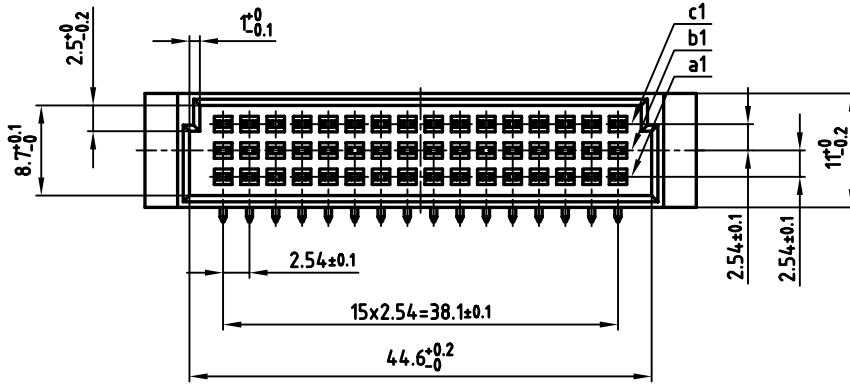


used for: DIN EN 60603-2 TYPE "C 1/2"

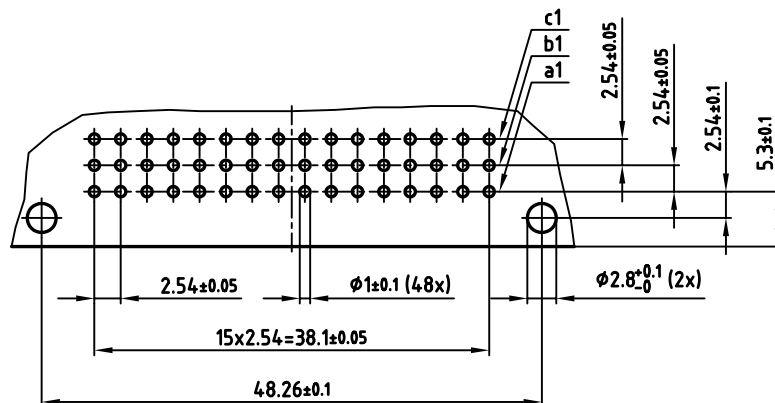


NOTES:

1. INSULATORS: PBTP GF UL 94 V-0, GREY
2. CONTACTS: COPPER ALLOY
PLATING: GOLD OVER NICKEL
50 MATING CYCLES
3. CONNECTOR IS PART MARKED: 121A10389X CONEC ABC



P.C.B. HOLE DRILLINGS



APPROVAL # FREIGABE # DEBLOCAGE # AUTORIZACION # APPROVAL

CUSTOMER APPROVAL DATE:

NAME: TITLE:

COMPANY NAME:

APPROVAL # FREIGABE # DEBLOCAGE # AUTORIZACION # APPROVAL

THIS DRAWING MAY NOT BE COPIED OR REPRODUCED IN ANY WAY, AND MAY NOT BE PASSED ON TO A THIRD PARTY, WITHOUT WRITTEN PERMISSION. OWNERSHIP AND COPYRIGHT OF CONEC Gmbh DO NOT ALTER CAD DRAWING BY HAND

rev.	description	date	name
a	Origin		

tolerance		scale:	2:1
	dim. in mm	material:	SEE NOTES
2007	date	name	
drawn	16.05.	Lehmenkühler	
appd.	18.05.	Mickenbecker	
norm	DIN EN 60603-2		
d-old			
		dwg no:	AutoCAD 2006
			DIN-A
			3
			sh: 1/1

title: **MALE CONNECTOR TYPE "C 1/2"**
48pos. ANGLED

dwg no: 12K2A457

part no: 121A10389X