



MAX5072 Evaluation Kit

Evaluates: MAX5072

General Description

The MAX5072 evaluation kit (EV kit) is a fully assembled and tested circuit board that contains all the components necessary to evaluate the performance of the MAX5072. The MAX5072 is a dual-output DC-DC converter. One of the outputs is configured as a step-down converter (converter 1), while converter 2 is configured as a step-up converter. The EV kit is powered from a DC supply providing 5.5V to 16V. The EV kit can be reconfigured for an input voltage range between 4.5V to 5.5V.

The MAX5072 EV kit is capable of delivering 3.3V at 2A from the step-down converter output and 12V at up to 0.22A from the step-up converter output. The MAX5072 switching frequency is set to 2.2MHz and the two outputs switch 180° out of phase. A SYNC input facilitates external frequency synchronization. Moreover, a CLKOUT output provides a clock signal that is 90° out of phase with respect to the step-up converter, allowing four-phase operation using two MAX5072 ICs in master-slave configuration.

The MAX5072 includes a power-good output for converter 1, a reset output, and a manual reset input. In addition, each output, can be shut down individually. The MAX5072 features a power-fail output, which provides a logic-low when the input voltage drops below a preprogrammed threshold.

The MAX5072 is available in a thermally enhanced 32-pin thin QFN package.

Features

- ◆ 5.5V to 16V Input Supply Voltage Range
- ◆ 4.5V to 5.5V Input Supply Voltage Range (Configurable)
- ◆ 3.3V at 2A Output (Step-Down Converter)
- ◆ 12V at 0.22A Output (Step-Up Converter)
- ◆ 180° Out-of-Phase Operation Reduces Input Capacitance
- ◆ Clock Output for Four-Phase Operation
- ◆ Programmable Switching Frequency (200kHz to 2.2MHz)
- ◆ Individual Enable Inputs, SYNC Input, and Manual Reset Input
- ◆ Power-On Reset Output and Power-Fail Output
- ◆ Low-Cost Solution
- ◆ Fully Assembled and Tested

Ordering Information

PART	TEMP RANGE	IC PACKAGE
MAX5072EVKIT	0°C to +70°C	32 TQFN-EP*

*EP = Exposed paddle.

Component List

DESIGNATION	QTY	DESCRIPTION
C1, C16	2	10µF ±20%, 16V X5R ceramic capacitors (1206) TDK C3216X5R1C106M
C2	1	1µF ±10%, 25V X7R ceramic capacitor (0805) TDK C2012X7R1E105K
C3, C13, C15, C17	4	0.1µF ±10%, 50V X7R ceramic capacitors (0603) TDK C1608X7R1H104K
C4	1	47µF ±20%, 10V aluminum electrolytic capacitor (6.3mmx6.0mm) Sanyo 10CV47EX
C5, C6	2	100pF ±5%, 50V C0G ceramic capacitors (0603) TDK C1608C0G1H101J

DESIGNATION	QTY	DESCRIPTION
C7, C12	2	560pF ±5%, 50V C0G ceramic capacitors (0603) TDK C1608C0G1H561J
C8	1	4.7µF ±10%, 6.3V X5R ceramic capacitor (0603) TDK C1608X5R0J475K
C9, C20	2	0.22µF ±20%, 16V X7R ceramic capacitors (0603) TDK C1608X7R1C224M
C10	1	2200pF ±10%, 50V C0G ceramic capacitor (0603) TDK C1608X7R1H222K
C11	1	22pF ±5%, 50V C0G ceramic capacitor (0603) TDK C1608C0G1H220J

Component List continued on next page.

MAX5072 Evaluation Kit

Evaluates: MAX5072

Component List (continued)

DESIGNATION	QTY	DESCRIPTION
C14	1	22 μ F \pm 10%, 16V X5R ceramic capacitor (1210) TDK 3225X5R1C226K
C18	1	1 μ F \pm 10%, 10V X7R ceramic capacitor (0603) TDK C1608X7R1A105K
C19	1	150 μ F \pm 20%, 25V aluminum electrolytic capacitor (case size F or 8.3mm x 8.3mm) Panasonic EEFVK1E151P
D1	1	200mA 30V Schottky diode (SOD-123) Diodes Inc. BAT42W
D2	1	3A 40V Schottky rectifier (SMB) Diodes Inc. B340LB
D3	1	2A 40V Schottky rectifier (SMB) Diodes Inc. B240
JU1	0	Not installed, 3-pin header
JU2	0	Not installed, 2-pin header
JU3, JU4, JU5	3	2-pin headers
J1	1	6-pin header
L1	1	4.7 μ H, 4.8A, 18m Ω inductor Pulse P0751.472 Sumida CDR95NP-4R7MC

DESIGNATION	QTY	DESCRIPTION
L2	1	4.7 μ H, 1.8A, 90m Ω inductor Pulse PG0063.472
R1	1	133k Ω \pm 1% resistor (0603)
R2	1	42.2k Ω \pm 1% resistor (0603)
R3	1	2.21k Ω \pm 1% resistor (0603)
R4, R11, R12, R13, R17	5	10.0k Ω \pm 1% resistors (0603)
R5	1	5.62k Ω \pm 1% resistor (0603)
R6	1	22.1k Ω \pm 1% resistor (0603)
R7	1	1k Ω \pm 1% resistor (0603)
R8	1	68.1k Ω \pm 1% resistor (0603)
R9	1	4.87k Ω \pm 1% resistor (0603)
R10	1	110k Ω \pm 1% resistor (0603)
R14, R15, R16	3	100k Ω \pm 5% resistors (0603)
R18	1	4.7 Ω \pm 5% resistor (0603)
U1	1	MAX5072ETJ (32-pin TQFN, 5mm x 5mm)
SW1	1	Pushbutton switch (normally open)
None	3	Shunts
None	1	MAX5072 PC board

Component Suppliers

SUPPLIER	PHONE	FAX	WEBSITE
Diodes, Inc.	805-446-4800	805-446-4850	www.diodes.com
Panasonic	714-373-7366	714-737-7323	www.panasonic.com
Pulse Engineering	858-674-8100	858-674-8262	www.pulseeng.com
Sanyo Electronic Device (U.S.A) Corporation	619-661-6835	619-661-1055	www.sanyodevice.com
Sumida	847-545-6700	847-545-6720	www.sumida.com
TDK	847-803-6100	847-390-4405	www.component.tdk.com

Note: Indicate that you are using the MAX5072 EV kit when contacting these component suppliers.

MAX5072 Evaluation Kit

Quick Start

Recommended Equipment

- Adjustable 5.5V to 16V, 3A DC power supply
- Two electronic loads (e.g., HP6060B)
- Two voltmeters

Procedure

The MAX5072 EV kit is fully assembled and tested. Follow these steps to verify board operation. **Do not turn on the power supply until all connections are completed.**

- 1) Connect a voltmeter to the VOUT1 and PGND pads.
- 2) Verify that the jumpers JU3, JU4, and JU5 do not have a shunt installed.
- 3) Connect a voltmeter to the VOUT2 and PGND pads.
- 4) Connect a 2A electronic load to the VOUT1 and PGND pads.
- 5) Connect a 0.22A electronic load to the VOUT2 and PGND pads.
- 6) Connect a 5.5V to 16V DC power supply to the VIN and PGND pads, set the voltage in the range of 5.5V to 16V.
- 7) Turn on the power supply.
- 8) Verify that VOUT1 is 3.3V throughout the 5.5V to 16V input voltage range.
- 9) Verify that VOUT2 is 12V throughout the 5.5V to 16V input voltage range.
- 10) Turn on both electronic loads. Repeat steps 7 and 8.

Detailed Description

The MAX5072 EV kit contains two switching DC-DC converters. Each converter can be configured as either a step-down or a step-up converter. The MAX5072's individual converter switching frequency can be set within the 200kHz to 2.2MHz range. The EV kit is designed to operate from a DC power supply that can provide 5.5V to 16V and 3A of current. The EV kit can be reconfigured for a 4.5V to 5.5V input voltage range by shorting jumper JU2.

Converter 1 (VOUT1) is configured as a step-down converter. VOUT1 generates 3.3V and can provide up to 2A of current. Capacitors C5, C6, and C7 and resistors R3 and R4 provide a compensation network for VOUT1 on the MAX5072 EV kit.

Converter 2 (VOUT2) is configured as a step-up converter. Converter 1's output provides power to the converter 2 input. VOUT2 generates 12V and can provide up to 0.22A of current. Capacitors C10, C11, and C12 and resistors R6 and R7 provide a compensation network for VOUT2 on the MAX5072 EV kit.

The switching frequency for each converter is set to 2.2MHz by resistor R5. The internal oscillator switching frequency of the MAX5072 is two times the individual converter switching frequency. To set the individual converter switching frequency between 200kHz and 2.2MHz, select a different resistor value for R5. Refer to the *Internal Oscillator* section in the MAX5072 IC data sheet for instructions on calculating R5. Each converter is switching 180° out of phase with respect to the other converter.

Enable (EN1 and EN2)

The MAX5072 EV kit provides separate enable inputs, EN1 and EN2, to individually control or sequence the output voltages. The enable signals EN1 and EN2 are pulled up to VL (5V) by resistors R14 and R15, respectively. The external enable input signal can be connected to pin 1 of header JU4 (JU4-1, EN1), and converter 2's enable input signal can be connected to pin 1 of header JU5 (JU5-1, EN2). The MAX5072 enable pins are active-high and TTL compatible.

Manual Reset Button (SW1)

The MAX5072 EV kit provides a manual reset pushbutton switch (SW1) that is connected to the $\overline{\text{MR}}$ pin of the MAX5072. Push and release the manual reset pushbutton switch to initiate a reset of the circuit.

Reset Output Signal ($\overline{\text{RST}}$)

The MAX5072 EV kit provides a reset output signal on pin 1 of header J1 (J1-1). The reset pin is pulled up to VOUT1 by a 10k Ω resistor (R13). The MAX5072 $\overline{\text{RST}}$ pin output is pulled low when either VOUT1 or VOUT2 falls below 92.5% of their nominal regulation voltage. Once both outputs exceed 92.5% of their nominal regulated voltages, the $\overline{\text{RST}}$ output goes high after the active-reset timeout period (180ms).

Power-Good Output (PGOOD1)

Converter 1 provides a power-good output signal. The PGOOD1 is pulled up to VOUT1 by a 10k Ω resistor R12. When VOUT1 drops below 92.5% of its nominal regulated voltage, PGOOD1 is pulled low. The PGOOD1 output signal is available on pin 5 of header J1 (J1-5).

MAX5072 Evaluation Kit

Power-Fail Output (PFO)

The MAX5072 EV kit features a power-fail output (PFO) on pin 4 of header J1 (J1-4) to provide an advance signal before the outputs drop out of regulation. PFO is pulled up to VL (5V) by a 10k Ω resistor (R17). The PFO output is pulled low when the input voltage V_{IN} drops below 9.6V. The threshold voltage is set by resistors R10 and R11. To set a different threshold voltage for the PFO, select different values for resistors R10 and R11. Refer to the *Dying Gasp Comparator* section in the MAX5072 IC data sheet for selecting the values for R10 and R11.

Synchronization Input (SYNC)

The MAX5072 EV kit provides a synchronization (SYNC) input that enables the MAX5072 to synchronize with external systems. The synchronization frequency is two times the individual converter switching frequency. To synchronize the MAX5072 EV kit with an external clock, connect a 4.4MHz TTL clock signal to pin 3 of header J1 (J1-3).

Clock Output (CLKOUT)

The MAX5072 EV kit provides a clock output (CLKOUT) that enables two MAX5072 EV kits to be connected in a master-slave configuration operating in four-phase mode. The CLKOUT is 90° phase-shifted with respect to the internal switch turn-on edge. The CLKOUT is two times the individual converter switching frequency. Feed the CLKOUT output signal of the master EV kit to the SYNC input of the slave EV kit. The effective input ripple switching frequency will be four times the individual converter's switching frequency. The CLKOUT output is available on pin 6 of header J1 (J1-6).

Frequency Select (FSEL1)

The MAX5072 EV kit provides an option to reduce the converter 1 switching frequency to one-half of converter 2. As configured, the MAX5072 FSEL1 pin is pulled up to VL (5V) by a 100k Ω resistor (R16). When FSEL1 is high, converter 1's switching frequency is the same as converter 2's switching frequency. To reduce converter 1's switching frequency to one-half of converter 2 install a shunt on jumper JU3.

Jumper Selection

Input Source for Converter 2 (JU1)

The MAX5072 EV kit features an option to select the input source for converter 2. Jumper JU1 selects the input source for converter 2 on the MAX5072 EV kit. Table 1 lists the selectable JU1 jumper options.

Note that jumper JU1 is not installed and is shorted between pin holes 1 and 2 by a PC board trace. To utilize jumper JU1, cut open the PC board trace between pin holes 1 and 2, and install a shorting wire between pin holes 2 and 3.

Table 1. Jumper JU1 Functions

SHORT LOCATION	CONVERTER 2 INPUT SOURCE
1-2 (Shorted, default)	VOUT1
2-3	VIN

Input Voltage Range (JU2)

The MAX5072 EV kit can be reconfigured for an input voltage range between 4.5V to 5.5V by shorting jumper JU2. Jumper JU2 selects the input voltage range for the MAX5072 EV kit. Table 2 lists the selectable JU2 jumper options.

Note that jumper JU2 is not installed. To utilize jumper JU2, install a shorting wire between its pin holes.

Table 2. Jumper JU2 Functions

SHORT LOCATION	EV KIT INPUT VOLTAGE RANGE (V)
Not Installed (Default)	5.5 to 16
Installed	4.5 to 5.5

MAX5072 Evaluation Kit

Converter 1 Frequency Selection, FSEL1 (JU3)

The MAX5072 EV kit provides an option to reduce the converter 1 switching frequency to one-half of converter 2. Jumper JU3 selects the switching frequency for converter 1 on the MAX5072 EV kit. Table 3 lists the selectable JU3 jumper options.

Converter 1 Enable, EN1 (JU4)

The MAX5072 EV kit provides an option to disable converter 1. Use jumper JU4 to disable converter 1 on the MAX5072 EV kit (see Table 4).

Table 3. Jumper JU3 Functions

SHUNT LOCATION	FSEL1 CONNECTED TO	CONVERTER 1'S SWITCHING FREQUENCY
Not Installed (Default)	VL (through resistor R16)	Same as Converter 2
Installed	SGND	One-half of Converter 2

Converter 2 Enable, EN2 (JU5)

The MAX5072 EV kit provides an option to disable converter 2. Use jumper JU5 to disable converter 2 on the MAX5072 EV kit (see Table 5).

Table 4. Jumper JU4 Functions

SHUNT LOCATION	EN1 CONNECTED TO	CONVERTER 1
Not Installed (Default)	VL (through resistor R14)	Enabled
Installed	SGND	Disabled

Table 5. Jumper JU5 Functions

SHUNT LOCATION	EN2 CONNECTED TO	CONVERTER 2
Not Installed (Default)	VL (through resistor R15)	Enabled
Installed	SGND	Disabled

Evaluates: MAX5072

MAX5072 Evaluation Kit

Evaluates: MAX5072

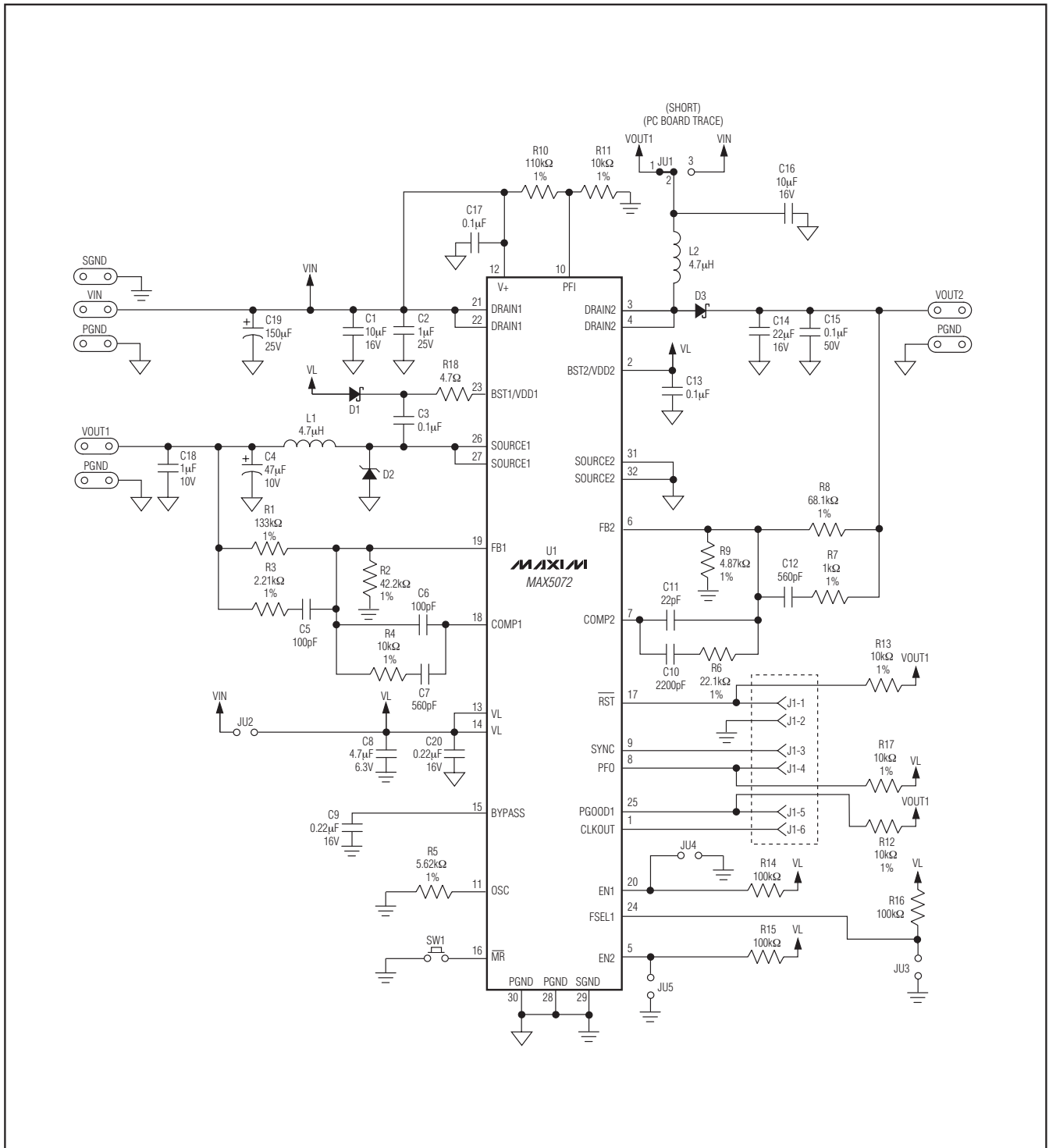


Figure 1. MAX5072 EV Kit Schematic

MAX5072 Evaluation Kit

Evaluates: **MAX5072**

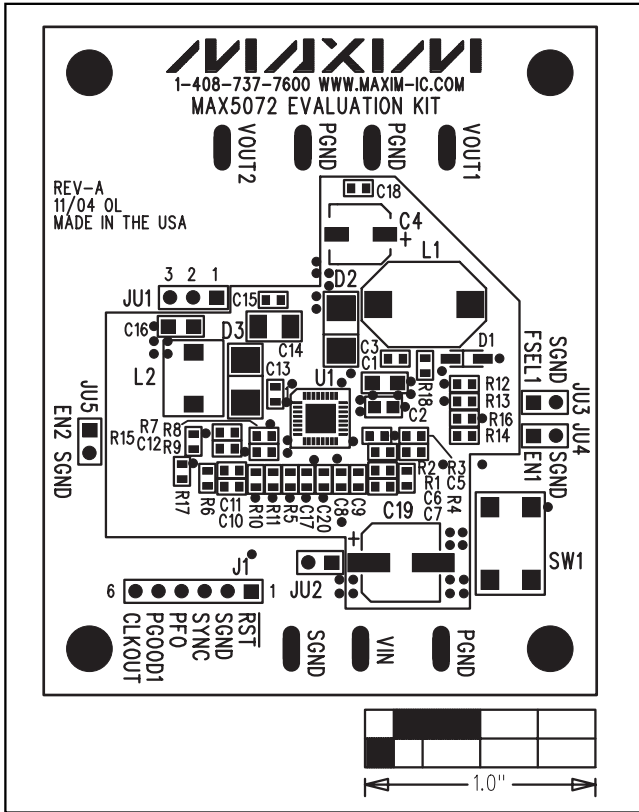


Figure 2. MAX5072 EV Kit Component Placement Guide—Component Side

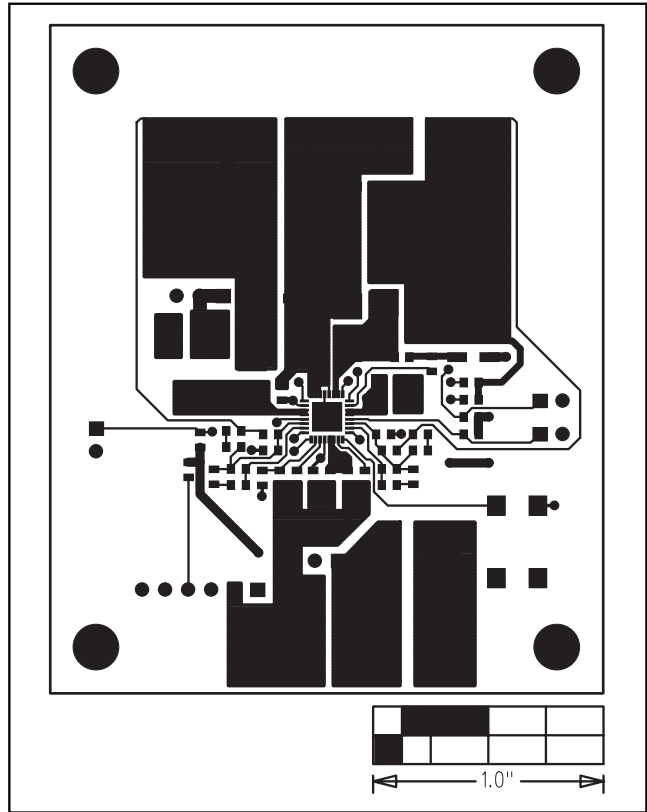


Figure 3. MAX5072 EV Kit PC Board Layout—Component Side

MAX5072 Evaluation Kit

Evaluates: MAX5072

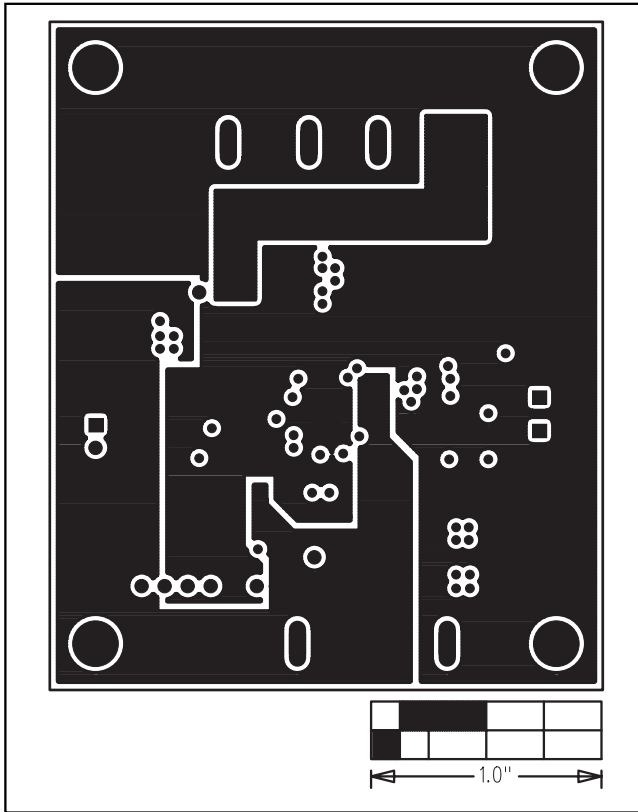


Figure 4. MAX5072 EV Kit PC Board Layout—GND Layer 2

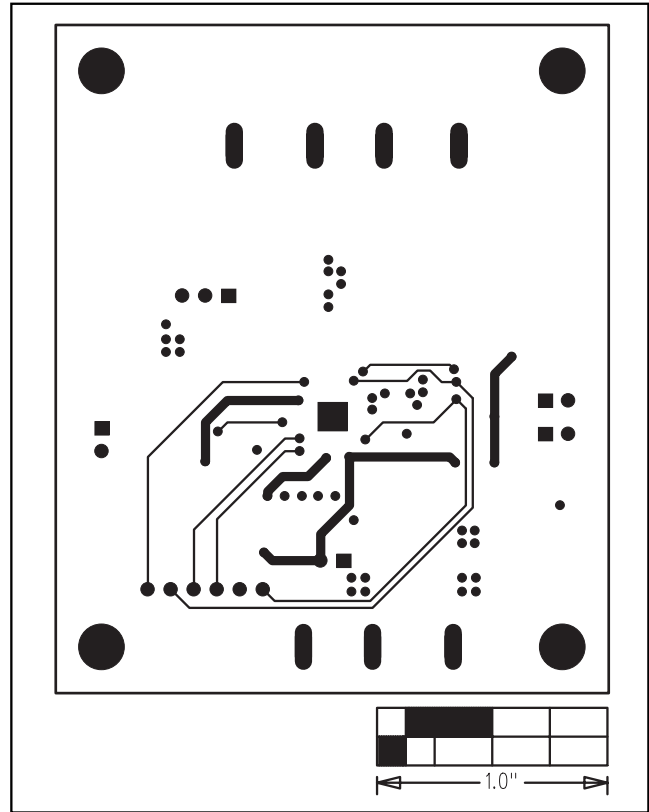


Figure 5. MAX5072 EV Kit PC Board Layout—Inner Trace Layer 3

MAX5072 Evaluation Kit

Evaluates: MAX5072

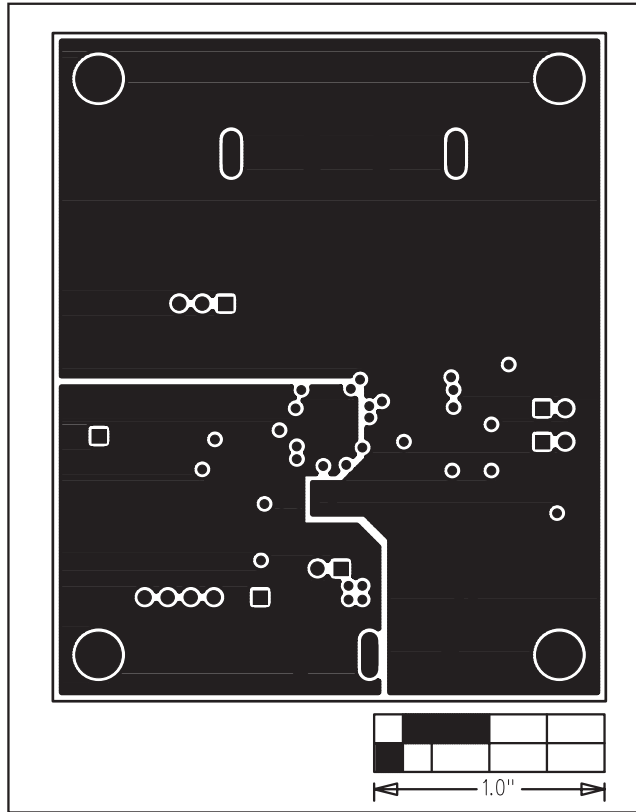


Figure 6. MAX5072 EV Kit PC Board Layout—Solder Side

Maxim cannot assume responsibility for use of any circuitry other than circuitry entirely embodied in a Maxim product. No circuit patent licenses are implied. Maxim reserves the right to change the circuitry and specifications without notice at any time.

Maxim Integrated Products, 120 San Gabriel Drive, Sunnyvale, CA 94086 408-737-7600 _____ 9

Mouser Electronics

Authorized Distributor

Click to View Pricing, Inventory, Delivery & Lifecycle Information:

[Maxim Integrated:](#)

[MAX5072EVKIT](#)