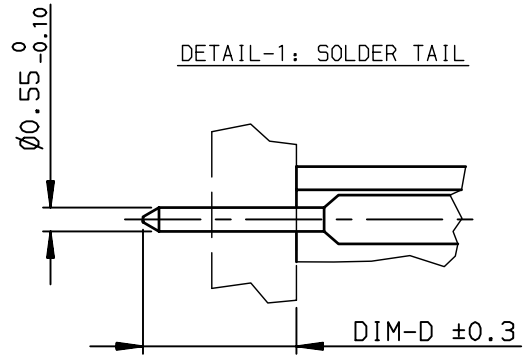
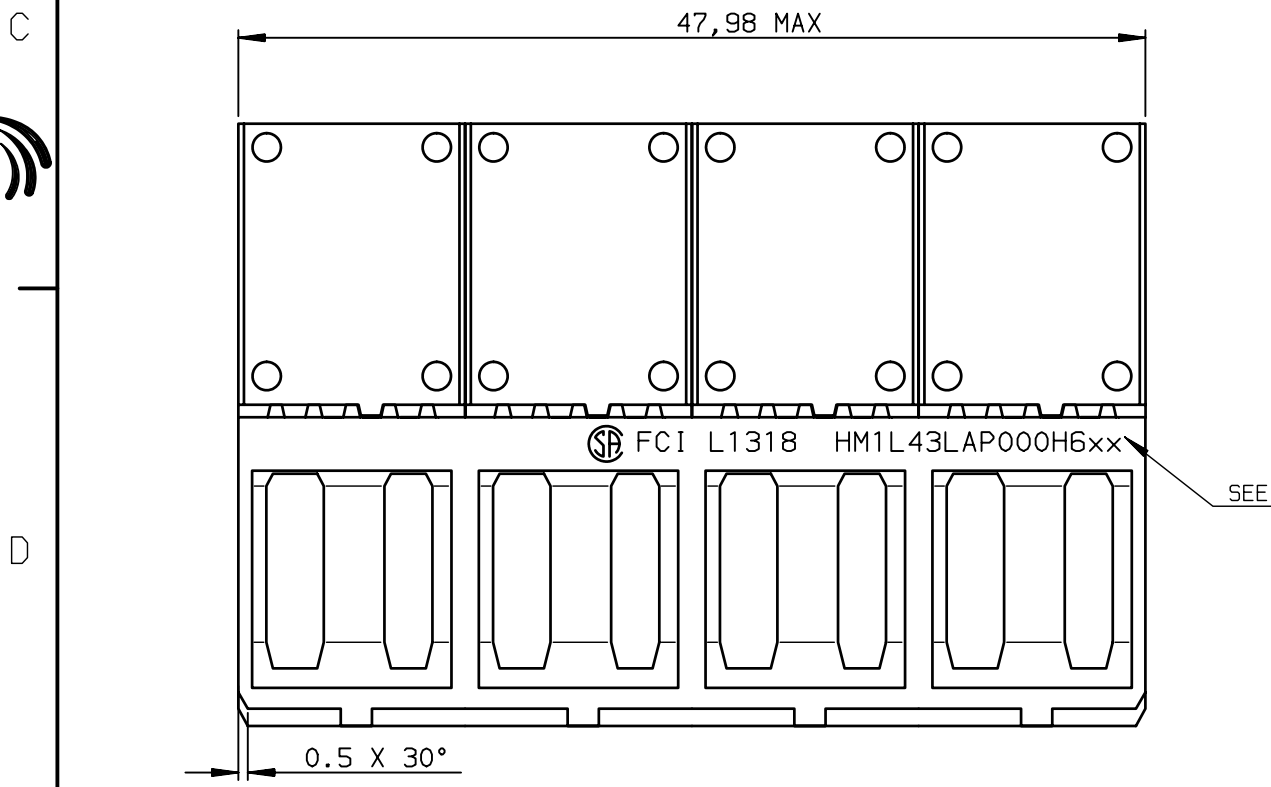
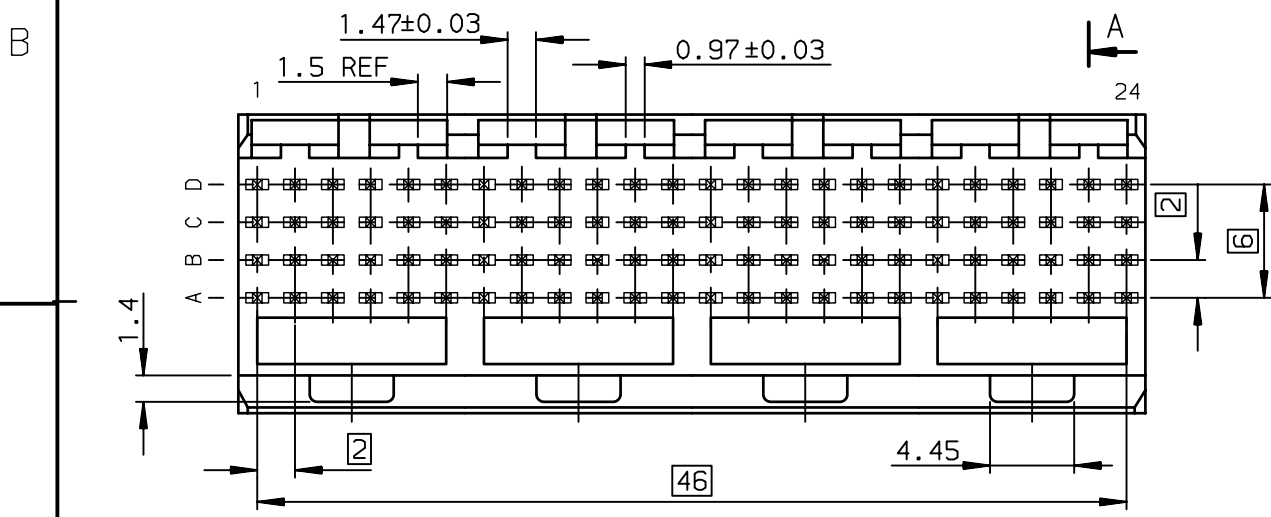
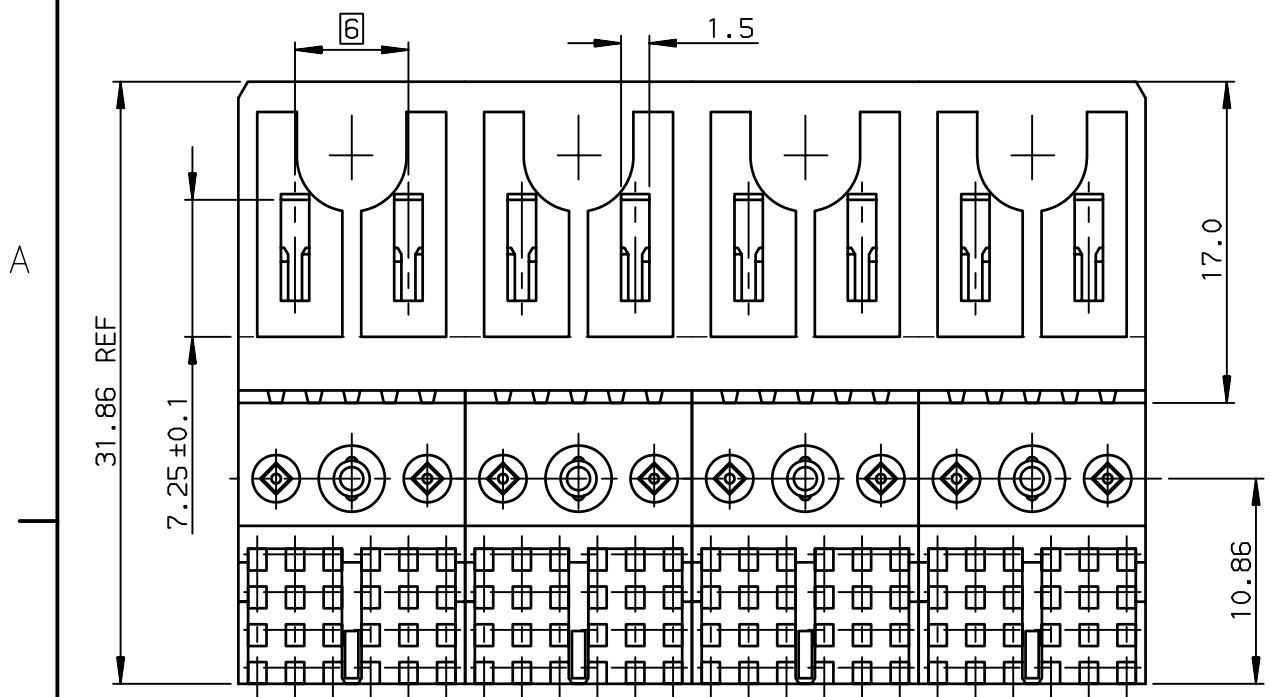


1

2

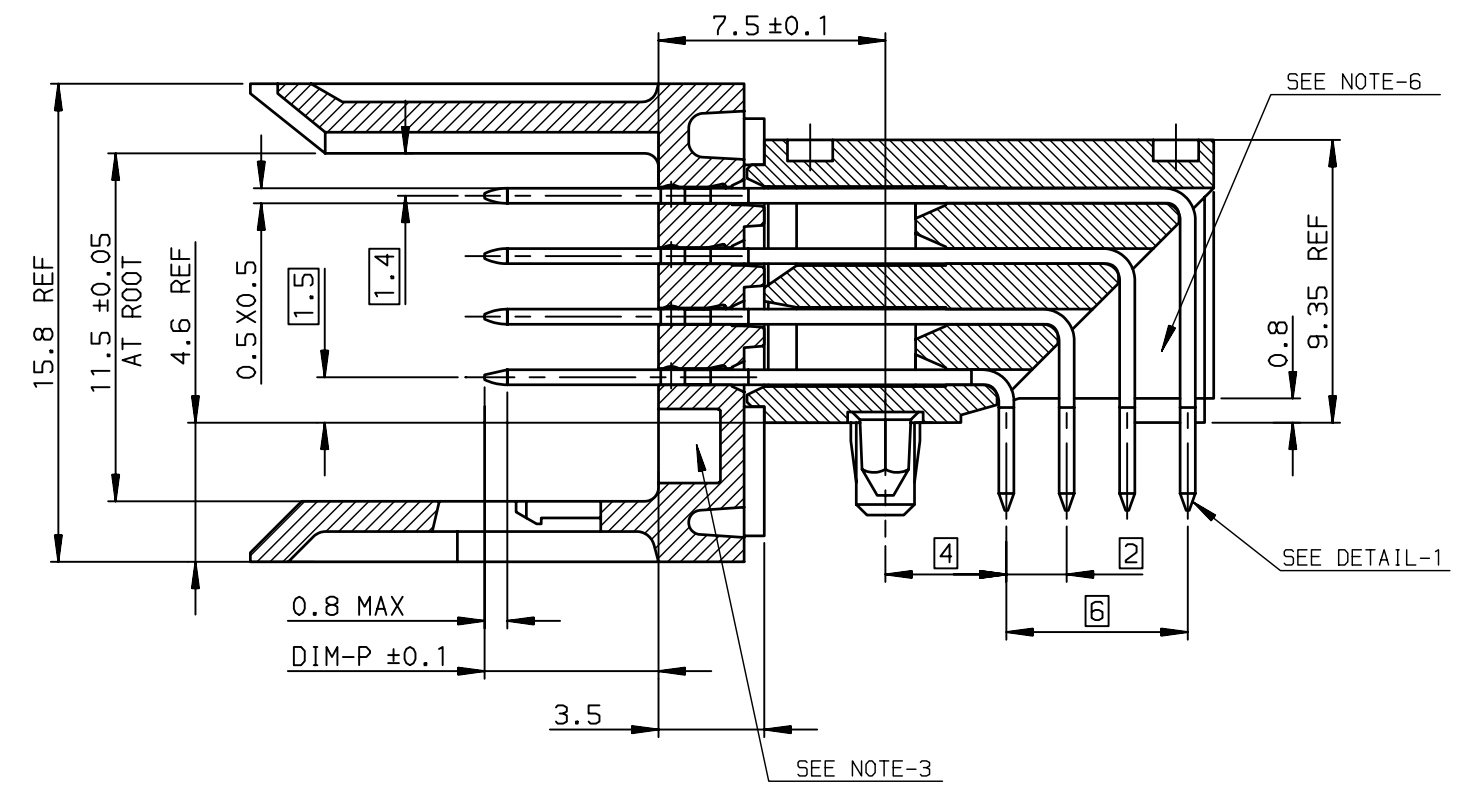
3

4



NOTE-2: ONE CENTER PEG FOR HOLD DOWN FORCE
 NOTE-3: CODING RECESS FOR 8MM EXTENDED KEYS
 NOTE-4: PRODUCT MARKING = FCI + BATCH CODE + PRODUCT NUMBER
 FOR 4 MODULE SIZE, ADD CSA LOGO MARKING
 NOTE-6: CENTRAL WALL WITH END REAR SUPPORT
 NOTE-7: PACKAGING IN TRAY + COVER
 IF SUFFIX "P" IS ADDED IN P/N PACKAGING IS IN TRAYS
 BUT CONNECTOR MARKING IS WITHOUT "P"
 EXAMPLE: HM1XXXXXXXXXH6P, MARKED HM1XXXXXXXXXH6

SECTION-A SCALE: 4/1



GENERAL CHARACTERISTICS AND ROHS INFORMATIONS:
 SEE PRODUCT SPECIFICATION GS-12-446

OTHERS INFORMATIONS, SEE DRW C-8626-0156-2

European Views

www.fciconnect.com			surface ISO 1302 ✓	tolerance std ISO 406 ISO 1101	projection mm
TOLERANCES UNLESS OTHERWISE SPECIFIED					size A3
Dr	CHAMPION	1994/09/09	ANGULAR	0.X ±0.1	Scale 2.5
Eng	TARON	1994/09/09	LINEAR	0.XX ±0.1	ECN LS07-0184
Chr	LEGARE	1994/09/09	0.XX' ±2'	0.XXX ±0.1	Spec ref -
Appr	LEGARE	1994/09/09	Product family	METRAL	
FCI L1318 HM1L43LAP000H6xx			title METRAL RA HEADER WB CONVERGED		
4x24 CTS - STB - PUSH PEG			dwg no C-8626-0156-1		Rev. J
catalog no			CUSTOMER sheet 1 of 2		

rev	ecn no	dr	date
F	-	CHA	2003/07/03
G	LS05-0070	MRA	2005/08/24
H	LS06-0097	LGO	2006/07/13
J	LS07-0184	MLE	2007/07/24
-	-	-	-
-	-	-	-
-	-	-	-

Copyright FCI. FCI

Mouser Electronics

Authorized Distributor

Click to View Pricing, Inventory, Delivery & Lifecycle Information:

[FCI / Amphenol:](#)

[HM1L43AAP000H6PLF](#) [HM1L43LAP000H6PLF](#)