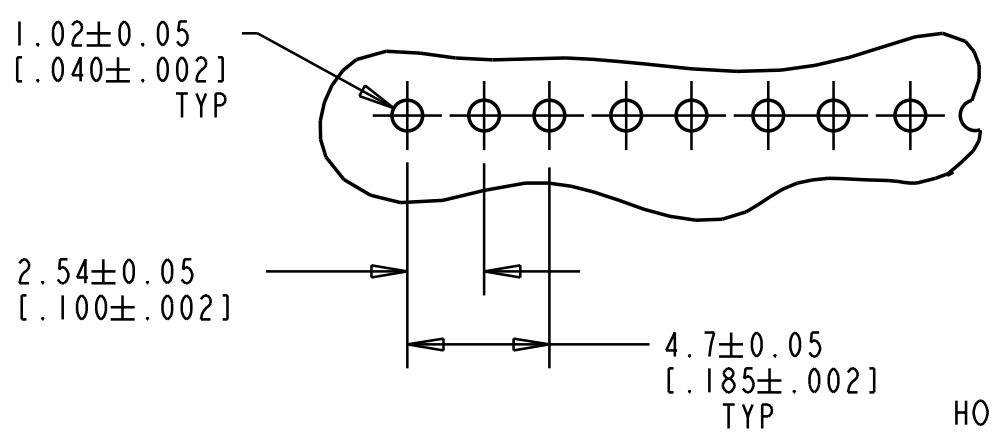
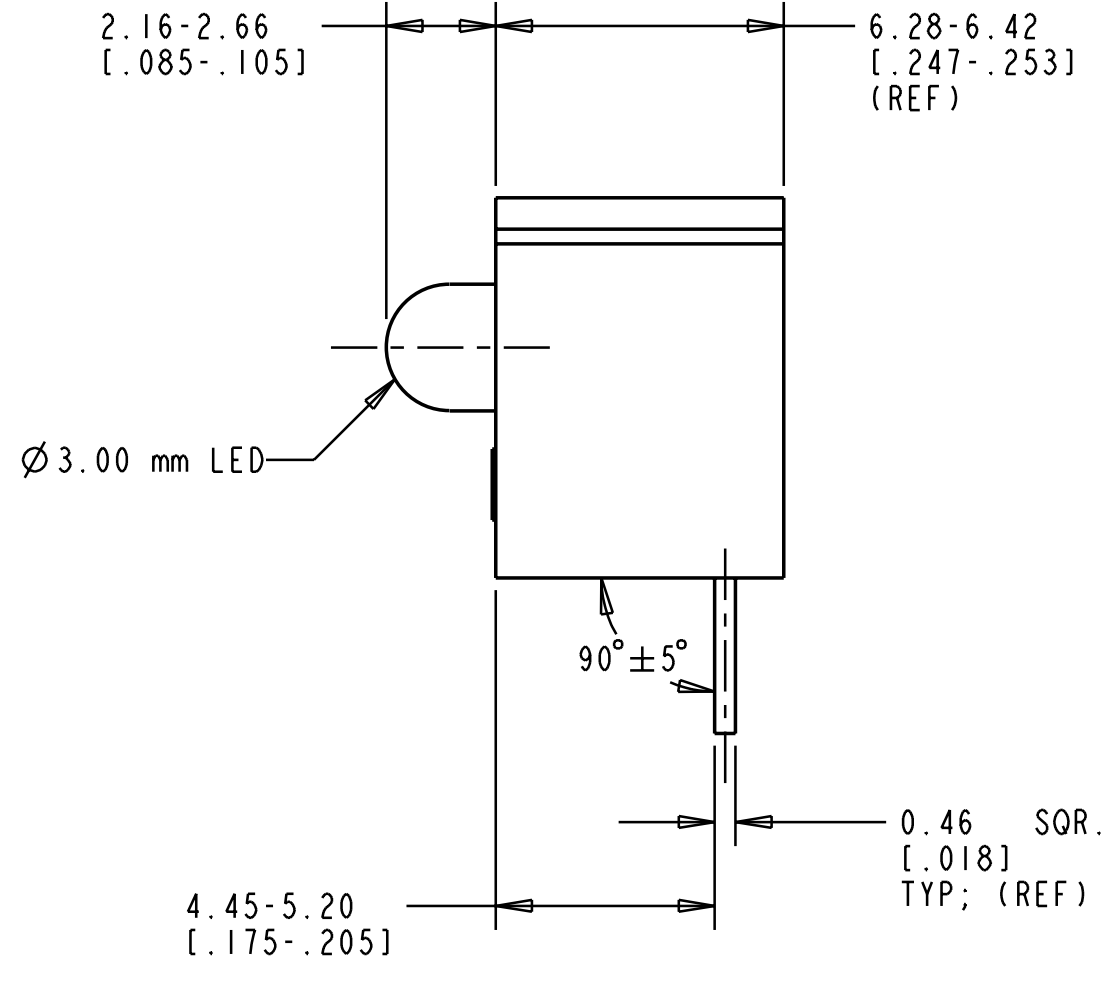
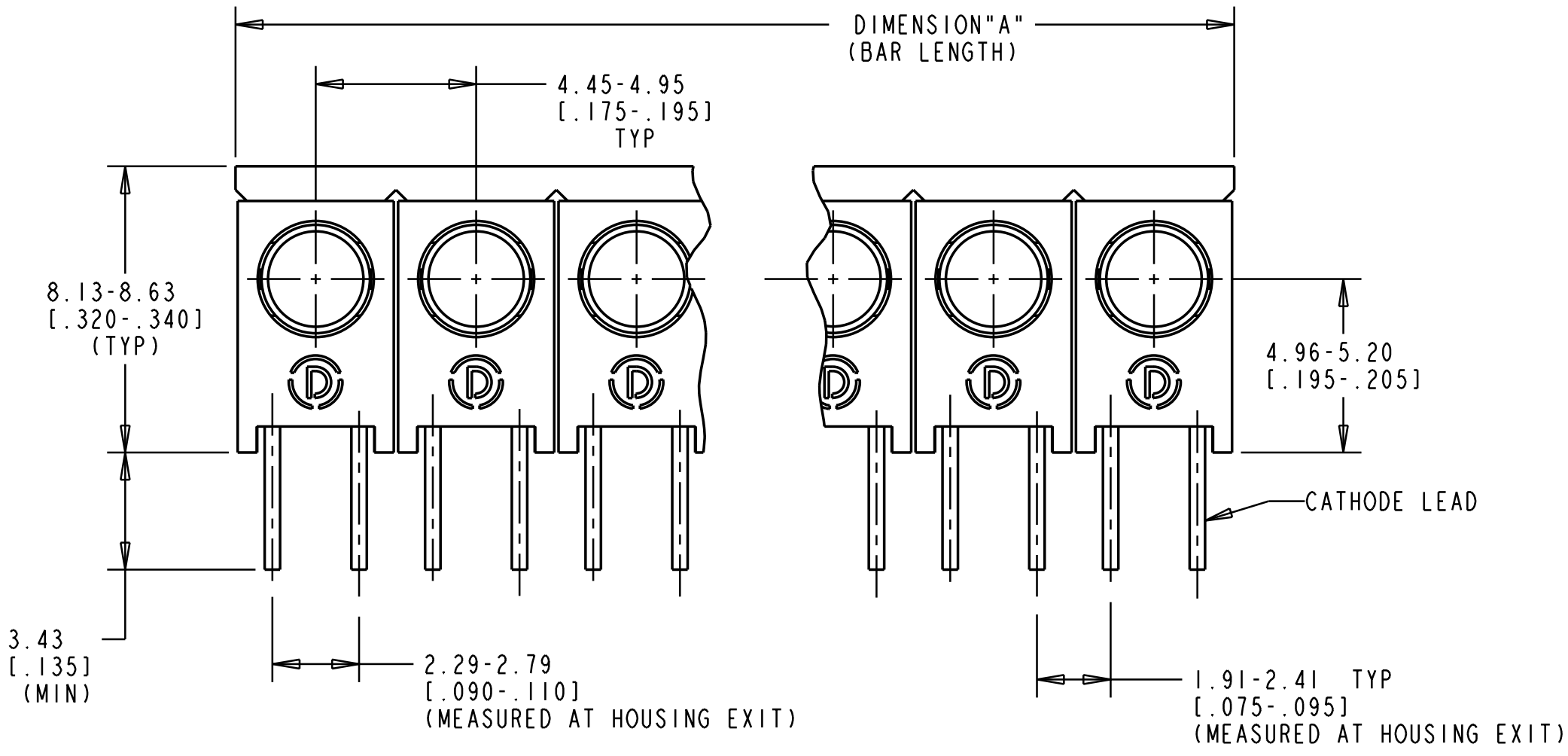
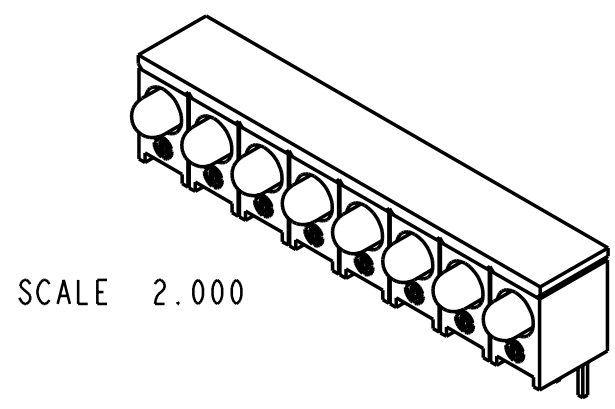


DIALIGHT PART NUMBER	NUMBER OF POSITIONS	DIMENSION "A" (BAR LENGTH) METRIC, (INCHES)	OPERATING CHARACTERISTICS @ T <sub>A</sub> = 25°C								
			COLOR	VIEWING ANGLE	FORWARD VOLTAGE (V)		REVERSE VOLTAGE	PEAK WAVELENGTH (nm)	LUMINOUS INTENSITY (mcd)		TEST CONDITIONS
					TYP	MAX			TYP	MIN	
HLMP-1503-102	2	8.76-9.65, [.346-.380]	GREEN	60°	2.1	2.7	5 V @ I <sub>R</sub> = 100 μA	565	2.6	7.0	I <sub>F</sub> = 10 mA
HLMP-1503-103	3	13.36-14.22, [.526-.560]									
HLMP-1503-104	4	18.54-19.02, [.730-.749]									
HLMP-1503-108	8	37.39-37.72, [1.472-1.485]									
HLMP-1521-104	4	18.54-19.02, [.730-.749]									
HLMP-1523-102	2	8.76-9.65, [.346-.380]									
HLMP-1523-104	4	18.54-19.02, [.730-.749]									
HLMP-1523-105	5	23.27-23.72, [.916-.934]									
HLMP-1585-104	4	18.54-19.02, [.730-.749]	60°	2.1	2.7	5 V @ I <sub>R</sub> = 100 μA	565	2.6	7.0	I <sub>F</sub> = 10 mA	
HLMP-1585-107	7	32.64-33.15, [1.285-1.305]									

ABSOLUTE MAXIMUM RATINGS AT 25°C AMBIENT			
	HLMP-1503-1XX & HLMP-1523-1XX	HLMP-1521-104	HLMP-1585-1XX
LINEAR DERATION FROM 25°C	—	1.8 mW/°C	1.8 mW/°C
LINEAR DERATION FROM 50°C	0.5 mA/°C	—	—
D.C. FORWARD CURRENT	30 mA	30 mA	25 mA
OPERATING TEMPERATURE	-20°C TO 100°C	-20°C TO 100°C	-20°C TO 100°C
STORAGE TEMPERATURE	-55°C TO 100°C	-55°C TO 100°C	-55°C TO 100°C
LEAD SOLDERING TEMPERATURE	260°C FOR 5 SEC	260°C FOR 5 SEC	260°C FOR 5 SEC



DIMENSIONS:  
 mm  
 [inches]



REV.	ECN NO.	REVISIONS	DRN.	CKD.	APP.	DATE
A	—	NEW RELEASE	M.C.	D.C.	N.O.	3-12-99
B	—	REMOVED P/N'S HLMP-1520-102 & -106, & REVISED REMAINING ELECTRO/OPTICAL SPECS. & 90° ± 5° WAS 90° ± 10°.	M.C.			

THIS DRAWING AND THE CONTENTS HEREIN ARE CONFIDENTIAL AND THE SOLE PROPERTY OF DIALIGHT. REPRODUCTION OF THIS DRAWING OR CONSTRUCTION OF ANY PARTS WITHIN THIS DRAWING ARE FORBIDDEN WITHOUT THE WRITTEN CONSENT OF DIALIGHT.		
SCALE 4:1	DRAWING NUMBER	REV
ALL DIM'S IN: INCHES	C-16498	B
TOLERANCES: UNLESS OTHERWISE SPECIFIED	TITLE	
FRACTIONS: ±1/64	Ø 3.00 mm CBI ARRAY, GREEN	
DECIMALS (.XX): ±.01	MATERIAL	
DECIMALS (.XXX): ±.005		
DECIMALS (.XXXX): ±.0005		
ANGLES: ±1°		
FINISH:	<b>Dialight</b>	1913 ATLANTIC AVE. MANASQUAN, N.J. 08736
FSCM 83330	SHEET OF	FAMILY TABLES:

# Mouser Electronics

Authorized Distributor

Click to View Pricing, Inventory, Delivery & Lifecycle Information:

Dialight:

[HLMP1503103F](#) [HLMP1503104F](#) [HLMP1503108F](#) [HLMP1521104F](#) [HLMP1503102F](#) [HLMP1523104F](#)  
[HLMP1523102F](#) [HLMP1585107F](#) [HLMP1585104F](#) [HLMP1523105F](#)