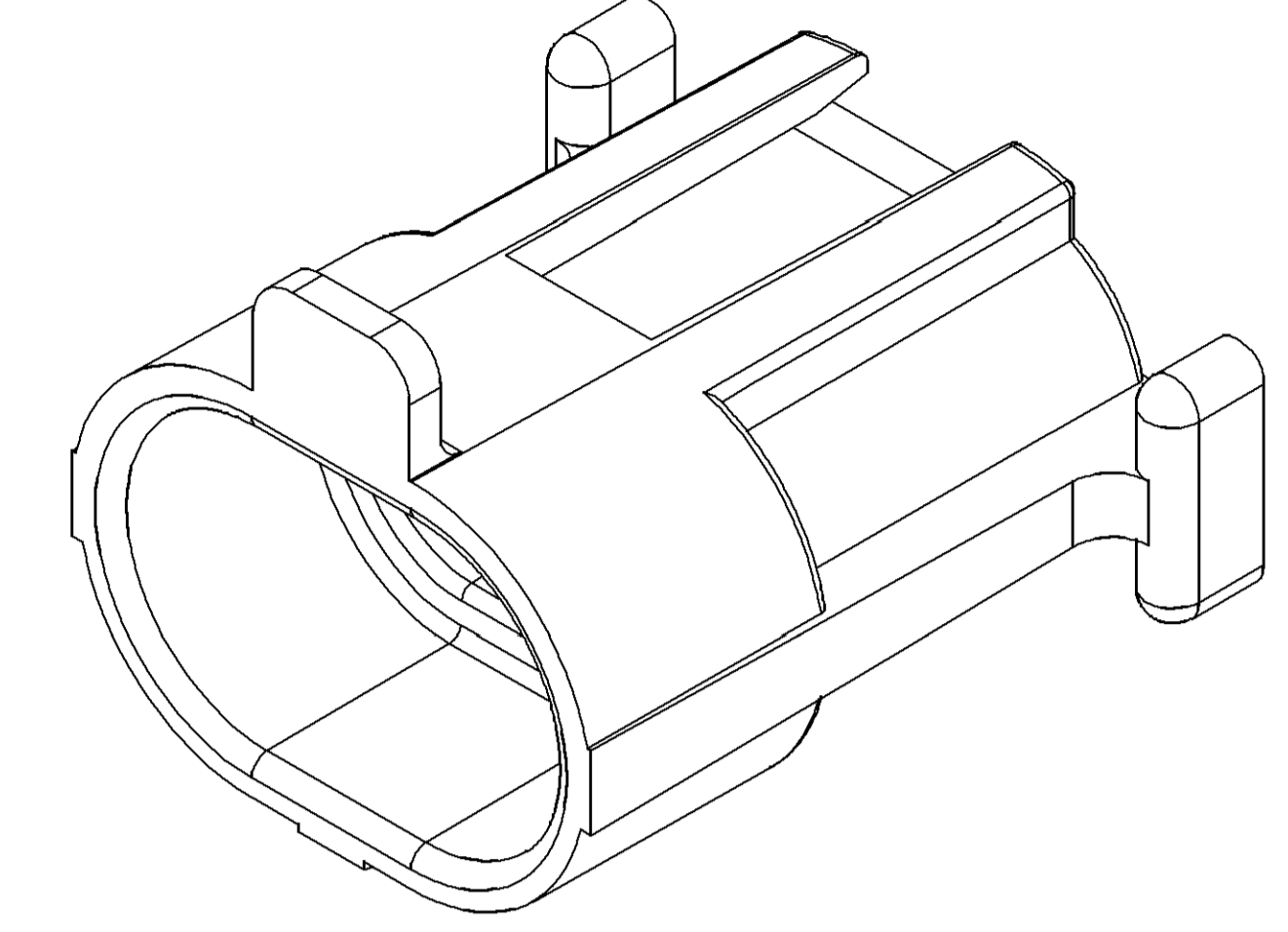
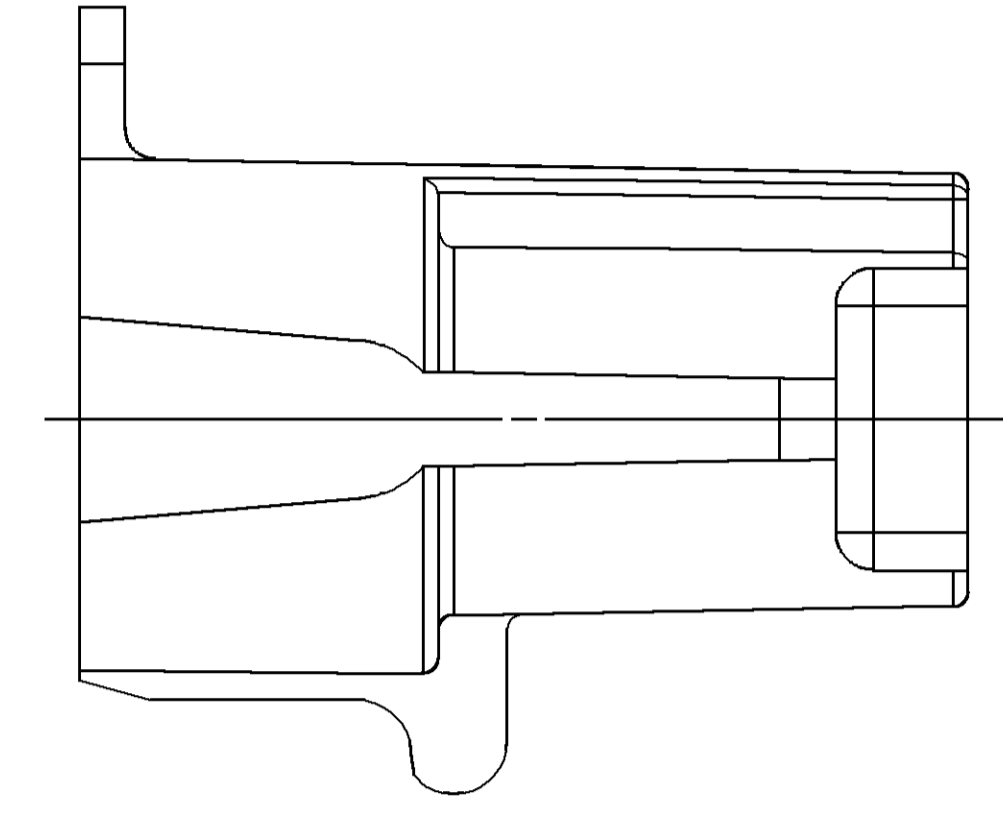
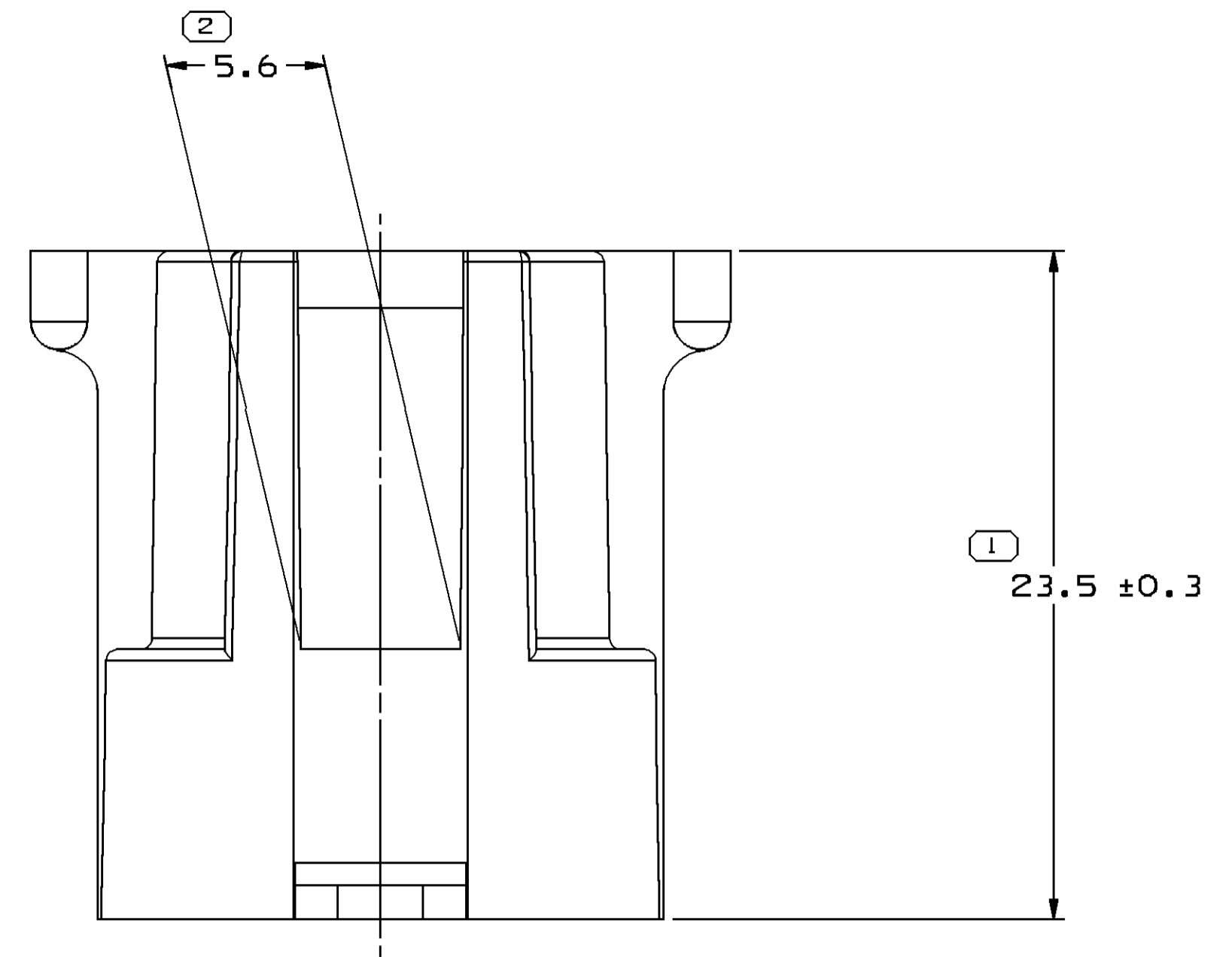
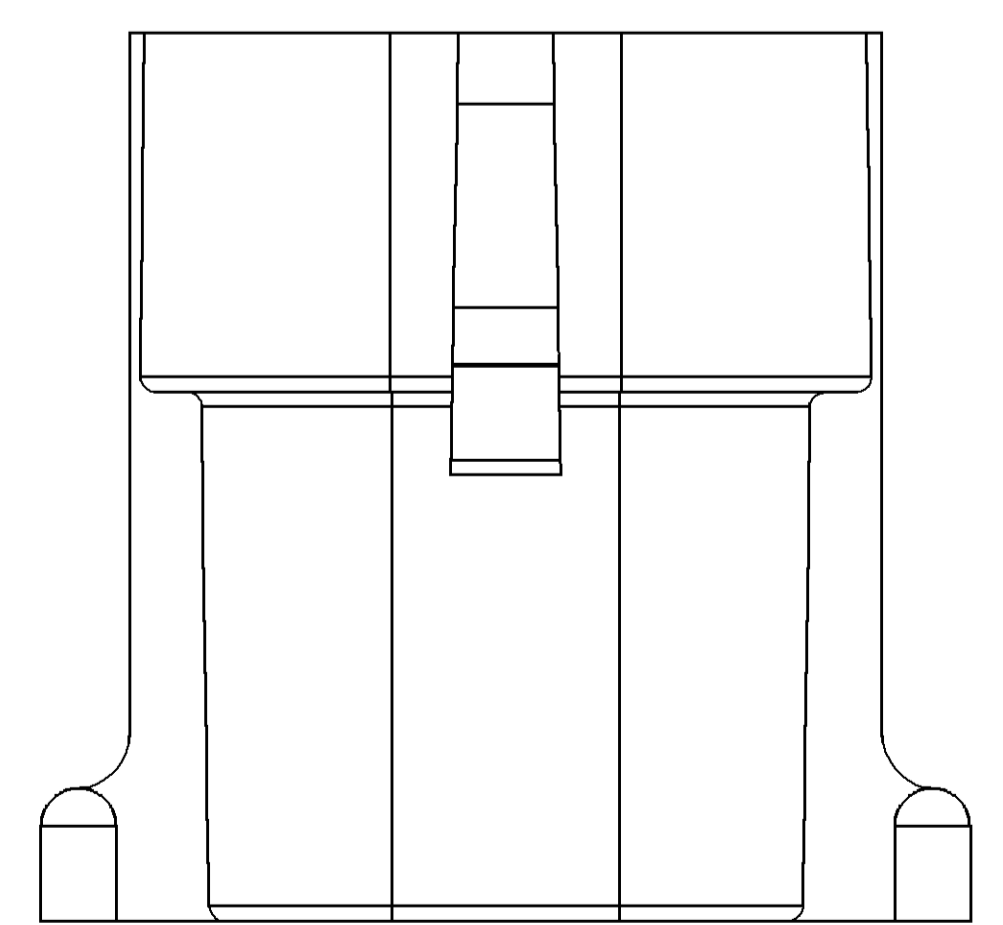
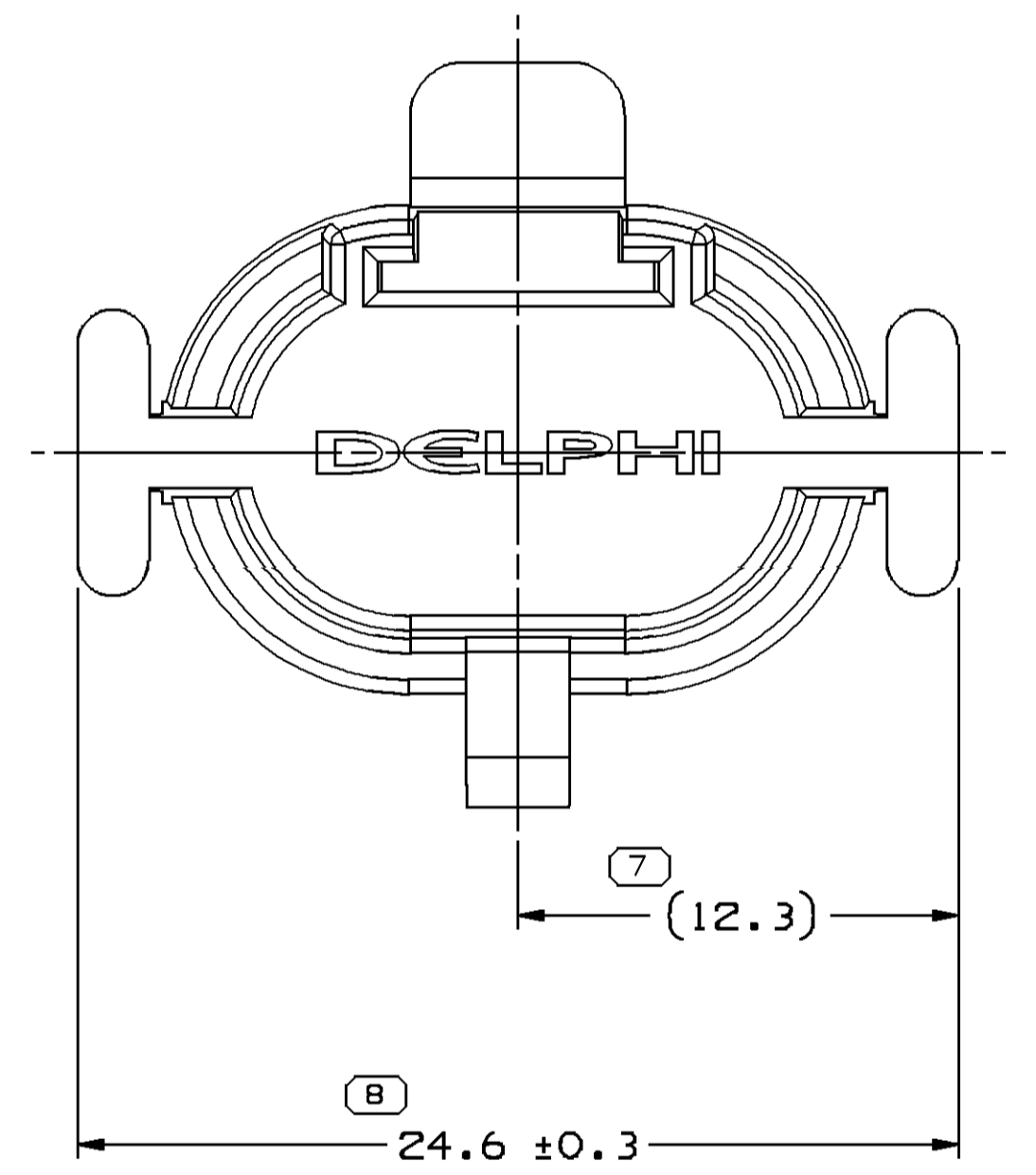
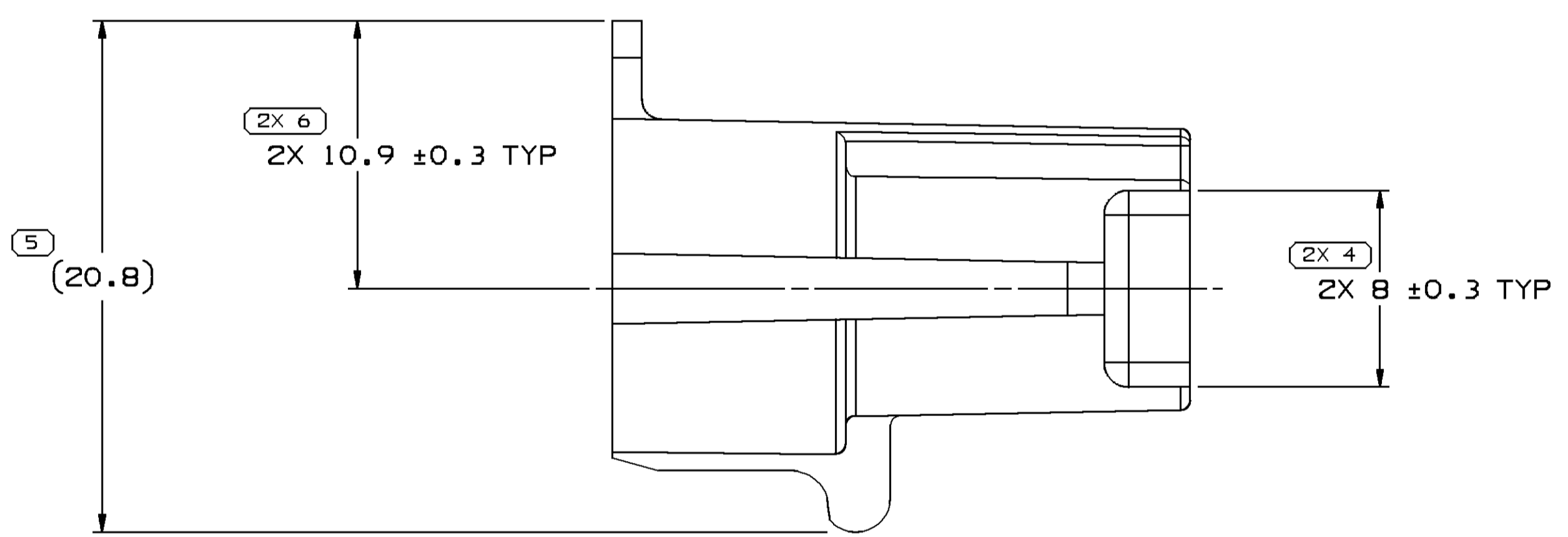
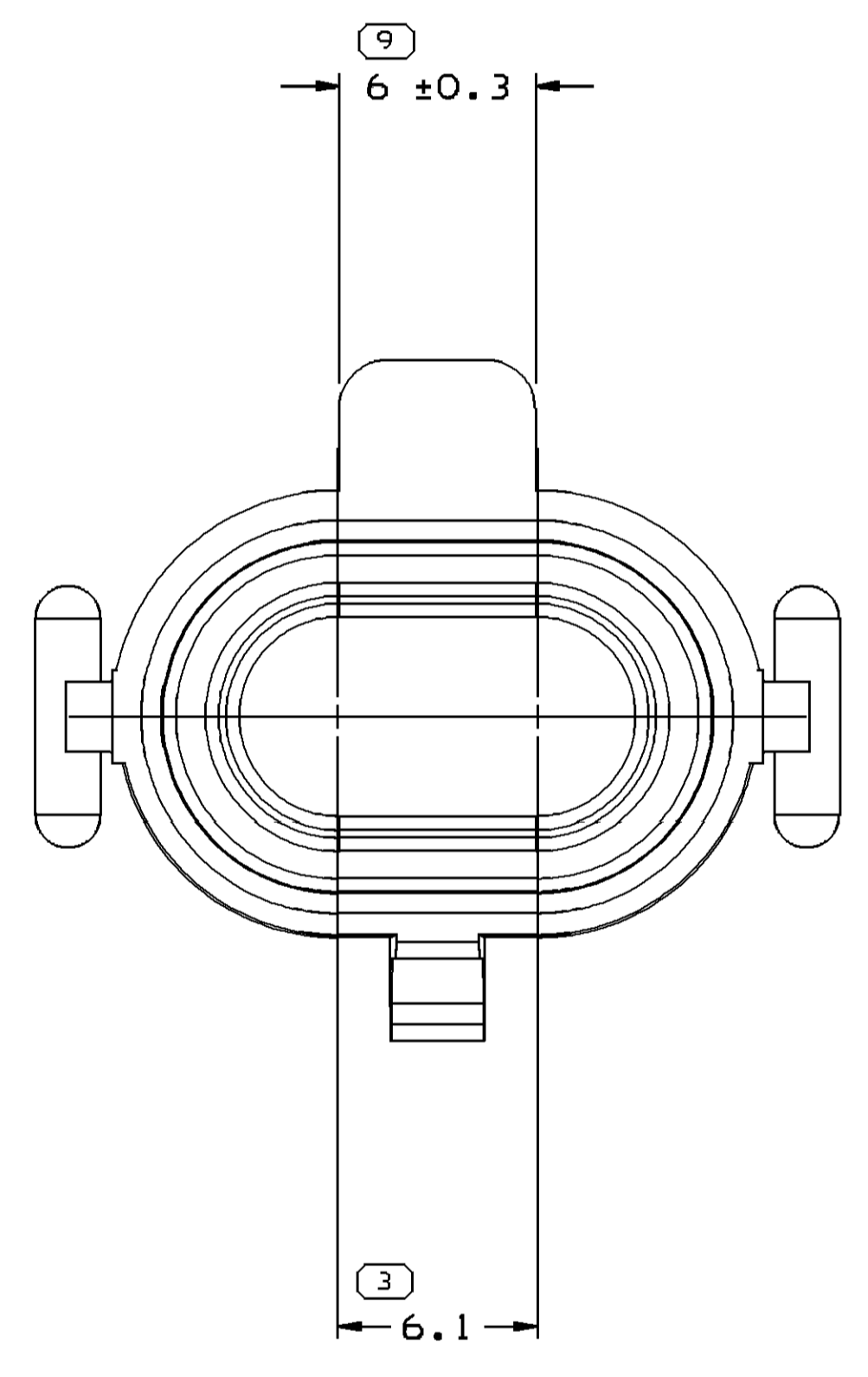


SYMBOL DEFINITION		MISSING SYMBOLS	
A DIMENSION WITHOUT AN INSPECTION REPORT SYMBOL DOES NOT REQUIRE INSPECTION. IT MAY BE CONTROLLED ON THE INDIVIDUAL COMPONENT DRAWING.	TOTAL NO OF INSPECTIONS REQUIRED	NO MISSING SYMBOL NUMBER	
	11		
	LAST NO. USED		
	9		

DWG STATUS				REVISION HISTORY		AUTH		DR		AP/VD	
DATE	STG	REV	IV/P	CHG	ZONE						
27JAN08	R	A2	-	-		CLEARED REV. COL., REDRAWN TO PD, UPDATED MAT'L CALLOUT, ADDED DIM (20.8)		405395	MFG	DBL	AEC
17FE09	R	A3	-	-		ADDED OPTIONAL CONSTRUCTION		407373	CBG	FRG	APR



OPTIONAL CONSTRUCTION



- NOTES
- UNLESS OTHERWISE SPECIFIED AND/OR INDICATED:  
DIMENSIONS ARE TO FACE OF VIEW SHOWN AND AUTOMATICALLY ROUNDED BY COMPUTER FOR INSPECTION (SEE MATH MODEL FOR PRECISE DIMENSIONS). FOR ALL OTHER DIMENSIONS NOT SHOWN BUT REQUIRED FOR TOOL BUILD, SEE MATH MODEL FOR PRECISE TOOL PATH DATA.
  - MATERIAL RECYCLING CODE PER ISO 11469. (2.3)X(0.1) CHARACTERS. AS SHOWN TO BE LOCATED ON ANY EXTERIOR SURFACE. OPTIONAL CONSTRUCTION TO BE NO MATERIAL RECYCLING CODE.
  - THIS PRODUCT IS NOT CATEGORIZED AS AN APPEARANCE ITEM, MINOR IMPERFECTIONS INCLUDING, BUT NOT LIMITED TO, FLOW MARKS, COLOR BLEMISHES, GATE VESTIGE, AND SOFT FLASH THAT DO NOT AFFECT THE FIT, FORM, OR FUNCTION OF THE PART ARE PERMISSIBLE PER NAP 4.10-18.
  - REFERENCE MATING COMPONENTS OR EQUIVALENT:  
WITH ANY 2 WAY PUSH-TO-SEAT INERTIA LOCK 150 METRI-PACK SERIES CONN. & SEAL ASSEMBLY.  
12052641 TO 12052646 ARE TYPICAL P/N'S.
  - (1.15)X(0.1) DELPHI CORPORATE BRAND TO BE LOCATED ON ANY EXTERIOR SURFACE, PREFERABLY VISIBLE AT FINAL ASSEMBLY. OPTIONAL CONSTRUCTION FOR EXISTING TOOLING MAY BE "PED" OR NO LOGO.
  - THIS PART IS NOT CONTROLLED FOR AUTOMATIC FEEDING.

DIMENSIONAL RANGE (MM)		CHART SET	
FROM	TO	>	>
0	20	70	100
20	30	100	150
30	50	150	200
50	100	200	250
100	200	250	300
200	300	300	400

UNLESS OTHERWISE SPECIFIED  
DIMENSIONS ENCLOSED IN ( ) INDICATE REFERENCE DIMENSIONS AND NO TOLERANCE LIMITS ARE ESTABLISHED

ALL DIMENSIONS ARE IN MILLIMETERS

THIRD ANGLE PROJECTION

DO NOT SCALE

USE MATH DATA

ANGULAR TOLERANCE ±2°

**DELPHI**  
DELPHI PACKARD ELECTRICAL/ELECTRONIC ARCHITECTURE  
WARREN, OH

DR	DATE
AP/01 M. FLORES	14JUL08
AP/02 D. GARCIA	14JUL08
AP/03 A. ESTRADA	14JUL08
AP/04	
AP/05	

SUBSTANCES OF CONCERN AND RECYCLED CONTENT PER DELPHI 10949901

MATERIAL: POLYAMIDE COMPOUND BLACK

DRAWING NAME: COV CONN M/P

DRAWING NUMBER: 12064959

SIZE	SCALE	FRAME NO	SHEET NO	STG	REV	IV/P
A0	5:1	1	1	1	R	A3

Date: 17-Sep-09 Time: 20:20

# Mouser Electronics

Authorized Distributor

Click to View Pricing, Inventory, Delivery & Lifecycle Information:

[Aptiv:](#)

[12064959](#)