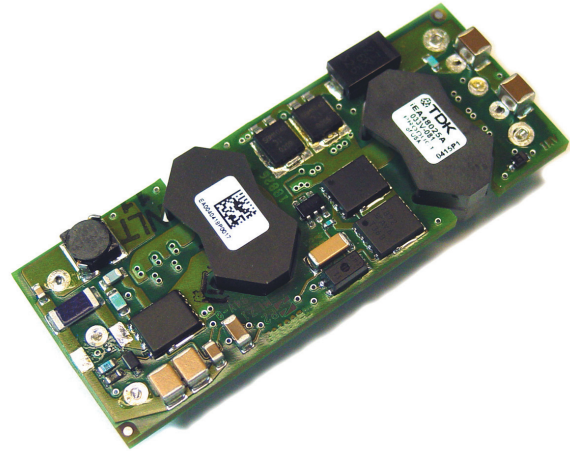


48-78W Eighth Brick DC-DC Converters

Features

- ◆ Standard Eighth Brick Footprint
- ◆ 36-75VDC Input
- ◆ 5V 15A - 28V 2.67A Nominal Output
- ◆ Through Hole Mounting
- ◆ Low 8.8mm Profile
- ◆ 1500VDC Basic Isolation
- ◆ High operating efficiency (up to 91%)
- ◆ Constant switching frequency
- ◆ Open frame design



Key Market Segments & Applications



Specifications						
Model						
		5	12	15	18	28
Nominal Output Voltage	VDC	5	12	15	18	28
Input Voltage Range	VDC	36 - 75				
Input Current (max)	A	4.5				
Output Voltage Tolerance	VDC	4.85 - 5.15	11.58 - 12.42	14.47 - 15.52	17.28 - 18.72	26.88 - 29.12
Ripple & Noise (max) (pk-pk) (1)	mV	125	200	150	200	250
Line Regulation (max)	mV	10	24	35	45	70
Load Regulation (max)	mV	10	24	35	45	70
Overload Protection (typ)	A	20	8.5	6	4.4	4
Overvoltage Protection	VDC	5.7 - 6.7	13.6 - 15.7	16.8 - 22.0	20.0 - 26.0	32.0 - 38.0
Remote Sense	-	Yes				
Remote On / Off	-	Positive or Negative Logic, see Model Selector				
Temperature (operating)	°C	-40 to 125				
Temperature (storage)	°C	-55 to 125				
Humidity (operating)	-	20 - 95% RH Non condensing				
Humidity (storage)	-	10 - 95% RH Non condensing				
Cooling	-	Convection or forced air				
Isolation Voltage	VDC	1500				
Vibration (non operating)	-	5~50Hz@0.5g (4.9m/s ²), & 50~500Hz@1.5g (14.7m/s ²) per Bellcore TR-EOP-000063-5.4.4				
Shock	-	196.1m/s ²				
Safety Agency Approvals	-	UL60950 (US and Canada), VDE0805 (IEC60950), CB scheme (IEC60950), CE Mark (LVD)				
Weight (max)	g	30.4				
Size	mm	58.4 x 22.9 x 8.8				
Warranty	yrs	3 Years				

Notes: See website for detailed specifications

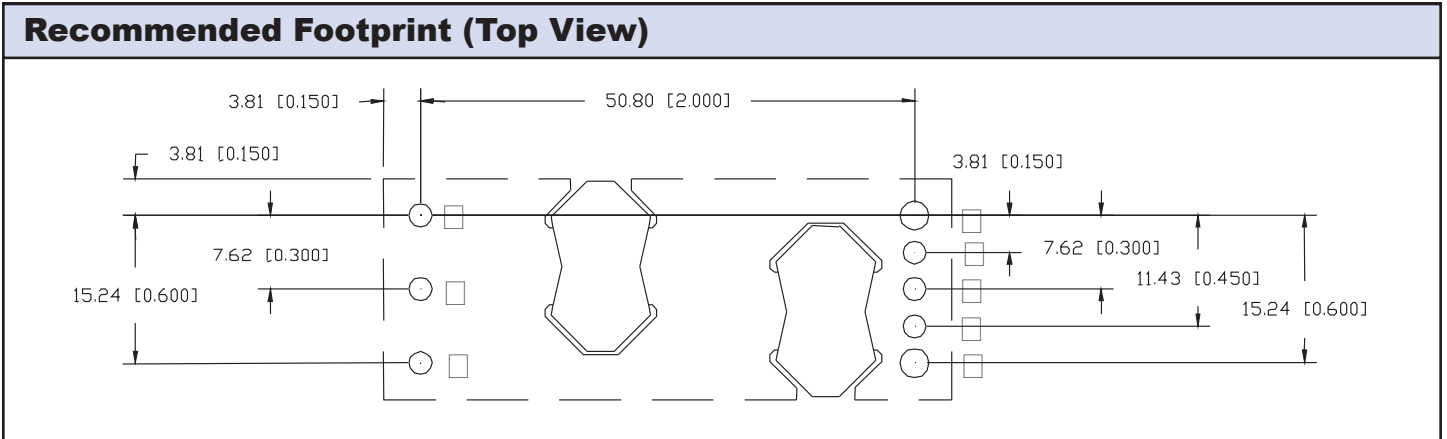
(1) Measured across one 1.0 μ F ceramic capacitor and one 10 μ F tantalum capacitor; BW = 20MHz

Model Selector							
Model	Voltage Output (V)	Voltage Adjust (V)	Output Curr. (A)	Max. Output Power (W)	Efficiency at Full Load (%)	Pos. Logic On/Off	Neg. Logic On/Off
iEA48015A050V-000-R	5	4.5 - 5.5	15	75	90	X	-
iEA48015A050V-001-R	5	4.5 - 5.5	15	75	90	-	X
iEA4W004A120V-003-R (3)	12	-	4	48	91	-	X
iEA48007A120V-000-R	12	10.8 - 13.2	6.5	78	91	X	-
iEA48007A120V-001-R	12	10.8 - 13.2	6.5	78	91	-	X
iEA48007A120V-005-R (2)	12	10.8 - 13.2	6.5	78	91	-	X
iEA48005A150V-001-R	15	13.5 - 16.5	4.5	67.5	90	-	X
iEA48004A180V-001-R	18	16.2 - 19.8	3.75	67.5	90.5	-	X
iEA48003A280V-001-R	28	19.6 - 30.8	2.67	75	90	-	X

(2) 0.200" Pin Length.

(3) 0.110" Pin Length, Input Voltage 18 - 60V.

Preferred Model



Pinout	
PIN	Function
1	Vin (+)
2	On / Off
3	Vin (-)
4	Vout (-)
5	Sense (-)
6	Trim
7	Sense (+)
8	Vout (+)

For Additional Information, please visit us.tdk-lambda.com/lp/products/iea-series.htm



Mouser Electronics

Authorized Distributor

Click to View Pricing, Inventory, Delivery & Lifecycle Information:

[TDK-Lambda:](#)

[IEA48007A120V-001-R](#) [IEA48015A050V-001-R](#) [IEA48020A033V-001-R](#) [IEA48025A025V-007-R](#) [IEA48007A120V-000-R](#) [IEA48003A280V-001-R](#) [IEA48005A150V-001-R](#) [IEA4W004A120V-003-R](#) [IEA48007A120V-005-R](#)