

Single Turn Trimmer

Model 23



Features:

- 4 mm square
- Sealed single turn
- Cermet
- Surface mount

Electrical

| | |
|-------------------------------|--|
| Standard Resistance Range | 100 Ohms to 2 Megohms |
| Standard Resistance Tolerance | ±20% |
| Input Voltage | 200 Vdc Max. or rms not to exceed power rating |
| Power Rating | 0.25 Watts at 70°C derating to 0 at 125°C |
| End Resistance | 1% or 3 Ohms Max., whichever is greater |
| Actual Electrical Travel | 200° nominal |
| Dielectric Strength | 500 Vrms |
| Insulation Resistance | 100 Megohms Min. |
| Resolution | Essentially infinite |
| Contact Resistance Variation | 2% or 3 Ohms Max., whichever is greater |

Environmental

| | |
|-----------------------------|---|
| Seal | 85°C Fluorinert® (No Leaks) |
| Temperature Coefficient | ±100 ppm/°C (<200 Ohms or >1Meg = ±250 ppm/°C) |
| Operating Temperature Range | -55°C to +125°C |
| Thermal Shock | Five cycles -55°C to +125°C (2% ΔRT, 2% ΔVR) |
| Moisture Resistance | Ten 24 hour cycles (3% ΔRT) |
| Shock | 6 ms sawtooth, 100 G's (1% ΔRT, 1% ΔVR) |
| Vibration | 20 G's, 10 to 2,000 Hz (1% ΔRT, 1% ΔVR) |
| High Temperature Exposure | 250 hours at 125°C (2% ΔRT, 2% ΔVR) |
| Rotational Life | 100 cycles (5% ΔRT) |
| Load Life | 1,000 hours at 70°C & 0.25 Watts (3% ΔRT, 1% ΔVR) |
| Resistance to Solder Heat | 260°C for 10 sec. (1% ΔRT) |

Mechanical

| | |
|------------------|--------------------------------|
| Mechanical Stops | Solid |
| Stop Strength | 4 oz.-in. Min. (300 g-cm) |
| Torque | 2 oz.-in. Max. (150 g-cm) |
| Weight | 0.005 oz. nominal (0.14 grams) |

General Note

TT Electronics reserves the right to make changes in product specification without notice or liability. All information is subject to TT Electronics' own data and is considered accurate at time of going to print.

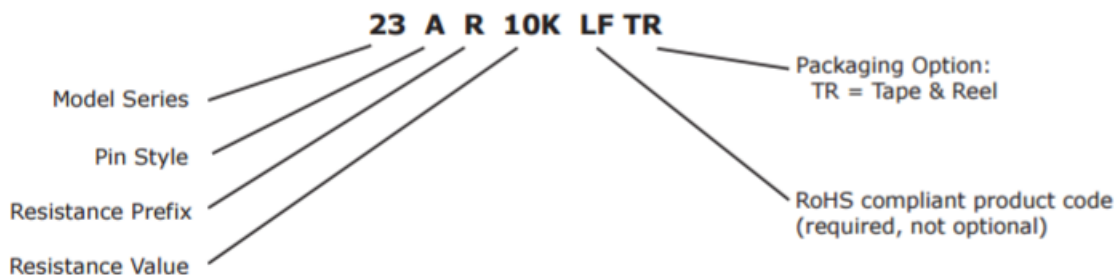
TT Electronics | BI Technologies
4200 Bonita Place, Fullerton, CA USA 92835-1053 | Ph: +1 714-447-2300
www.ttelectronics.com | sensors@ttelectronics.com

Single Turn Trimmer

Model 23



Ordering Information



Packaging Information

Standard (no code): Boxes. Capacity = 100 units.

Option (TR code): Tape & Reel. All units oriented with #2 (slider) pin adjacent to sprocket holes.

| | Pin Style | A,B | S |
|------|------------|-------------|--------------|
| Tape | Width = | 12 mm | 12 mm |
| | Sprocket = | 4 mm pitch | 4 mm pitch |
| | Capacity = | 500 units | 750 units |
| Reel | Diameter = | 7" (178 mm) | 10" (254 mm) |

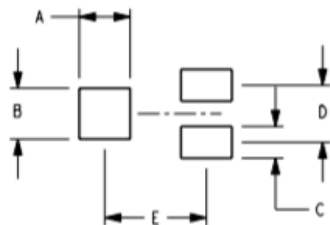
Circuit Diagram



Standard Resistance Values, Ohms

| | | | | |
|-----|----|-----|------|------|
| 100 | 1K | 10K | 100K | 1Meg |
| 200 | 2K | 20K | 200K | 2Meg |
| 500 | 5K | 50K | 500K | |

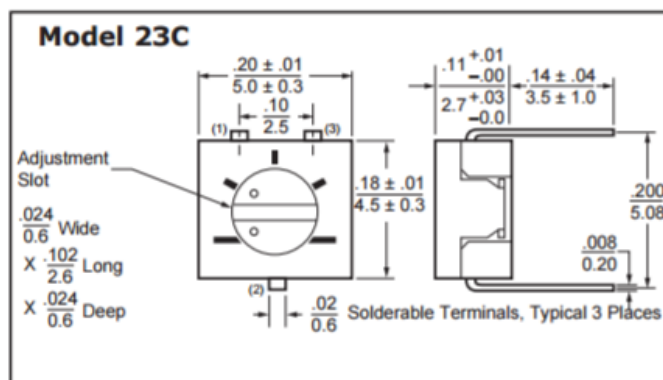
RECOMMENDED PCB LAYOUT



Inch/mm

| | 23A | 23B | 23S |
|---|---------------------|--------------------|---------------------|
| A | $\frac{.079}{2.00}$ | $\frac{.051}{1.3}$ | $\frac{.079}{2.0}$ |
| B | $\frac{.079}{2.00}$ | $\frac{.079}{2.0}$ | $\frac{.079}{2.0}$ |
| C | $\frac{.051}{1.3}$ | $\frac{.051}{1.3}$ | $\frac{.051}{1.3}$ |
| D | $\frac{.091}{2.3}$ | $\frac{.091}{2.3}$ | $\frac{.10}{2.54}$ |
| E | $\frac{.157}{4.00}$ | $\frac{.217}{5.5}$ | $\frac{.137}{3.48}$ |

THROUGH HOLE



General Note

TT Electronics reserves the right to make changes in product specification without notice or liability. All information is subject to TT Electronics' own data and is considered accurate at time of going to print.

TT Electronics | BI Technologies
4200 Bonita Place, Fullerton, CA USA 92835-1053 | Ph: +1 714-447-2300
www.ttelectronics.com | sensors@ttelectronics.com

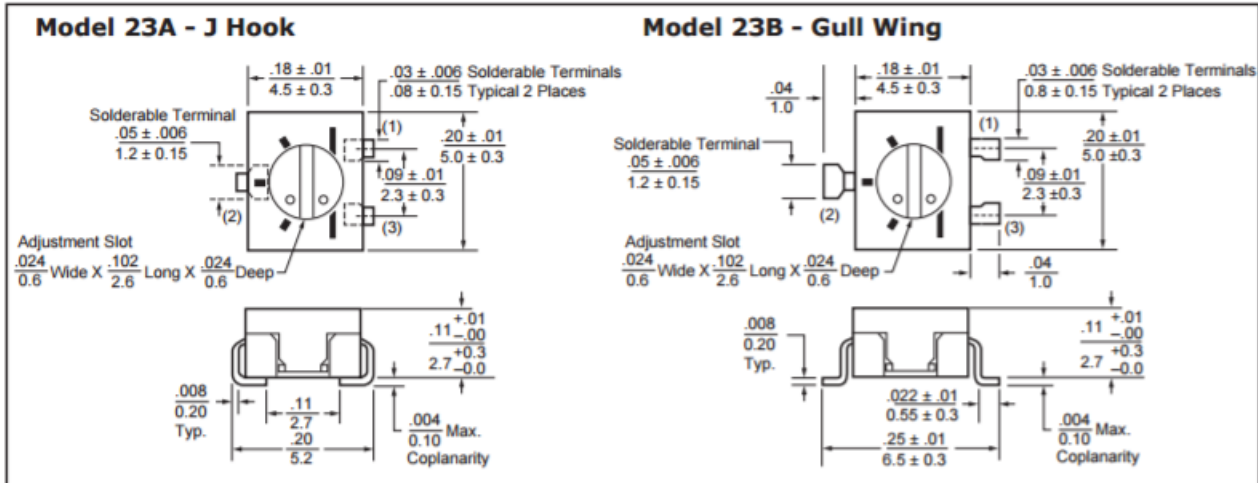
Single Turn Trimmer

Model 23

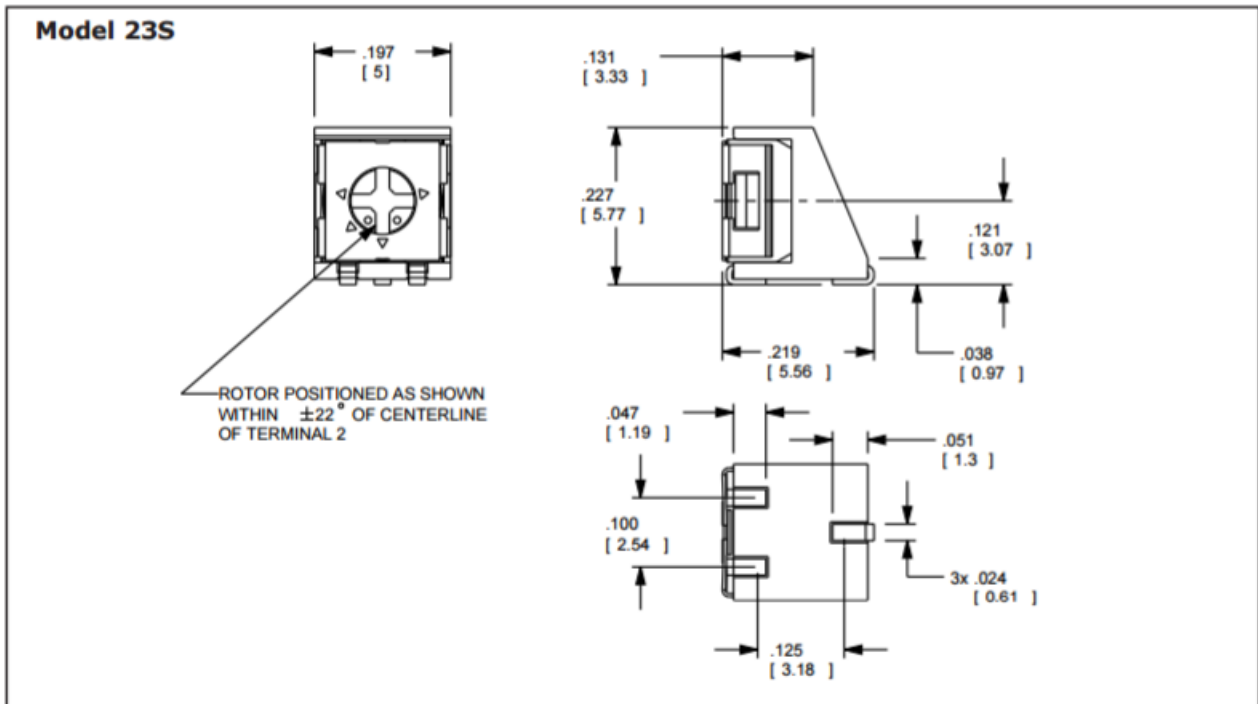


Outline Drawings

TOP ADJUSTMENT



SIDE ADJUSTMENT



General Note

TT Electronics reserves the right to make changes in product specification without notice or liability. All information is subject to TT Electronics' own data and is considered accurate at time of going to print.

TT Electronics | BI Technologies
 4200 Bonita Place, Fullerton, CA USA 92835-1053 | Ph: +1 714-447-2300
 www.ttelectronics.com | sensors@ttelectronics.com

Mouser Electronics

Authorized Distributor

Click to View Pricing, Inventory, Delivery & Lifecycle Information:

TT Electronics:

[23AR10KTR](#) [23AR2KTR](#) [23BR1KTR](#) [23BR20KTR](#) [23BR2KTR](#) [23SR100KLFTR](#) [23AR100KTR](#) [23AR100TR](#)
[23AR1KTR](#) [23AR200KTR](#) [23AR200TR](#) [23AR20KTR](#) [23AR500TR](#) [23BR100KTR](#) [23BR100TR](#) [23BR10KTR](#)
[23BR200KTR](#) [23BR200TR](#) [23BR500KTR](#) [23BR500TR](#) [23SR2KLFTR](#) [23AR500KTR](#) [23SR1KLFTR](#) [23SR10KLFTR](#)
[23BR200KLFTR](#) [23BR100KLFTR](#) [23BR500KLFTR](#) [23AR10TR](#) [23BR25KLFTR](#) [23AR25KLFTR](#) [23AR20TR](#)
[23AR2MTR](#) [23AR1MTR](#) [23BR1MLFTR](#) [23AR1MLFTR](#) [23AR10LFTR](#) [23BR10LFTR](#) [23AR100LFTR](#) [23AR200LFTR](#)
[23AR500LFTR](#) [23BR500LFTR](#) [23BR100LFTR](#) [23BR200LFTR](#) [23AR50LFTR](#) [23BR50LFTR](#) [23AR50TR](#)
[23AR2MLFTR](#) [23BR2MLFTR](#) [23AR25KTR](#) [23BR25KTR](#) [23AR200KLFTR](#) [23AR100KLFTR](#) [23AR500KLFTR](#)
[23BR50TR](#) [23BR2MTR](#) [23BR1KLFTR](#) [23AR1KLFTR](#) [23BR1MTR](#) [23AR10KLFTR](#) [23AR50KLFTR](#) [23AR20KLFTR](#)
[23BR20LFTR](#) [23AR20LFTR](#) [23BR20TR](#) [23BR10KLFTR](#) [23BR50KLFTR](#) [23BR20KLFTR](#) [23BR10TR](#) [23AR2KLFTR](#)
[23BR2KLFTR](#) [23AR5KLFTR](#) [23BR5KLFTR](#) [23SR100LFTR](#) [23SR50KLFTR](#) [23SR200LFTR](#) [23SR20KLFTR](#)
[23SR20LFTR](#) [23SR5KLFTR](#) [23SR500KLFTR](#) [23SR50LFTR](#) [23SR200KLFTR](#) [23SR10LFTR](#) [23SR2MEGLFTR](#)
[23SR1MEGLFTR](#) [23SR500LFTR](#) [23AR1MEGLFTR](#) [23BR1MEGLFTR](#) [23AR2MEGLFTR](#) [23BR2MEGLFTR](#)