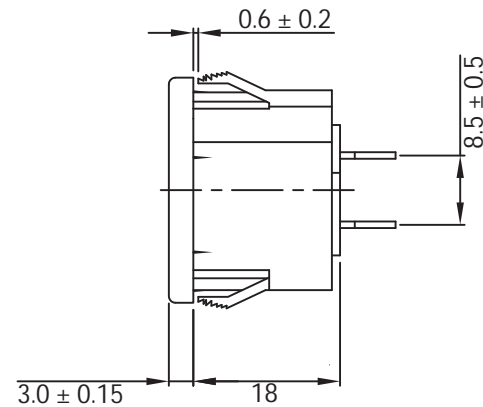
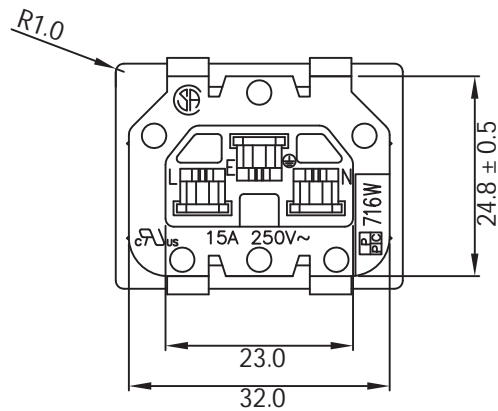
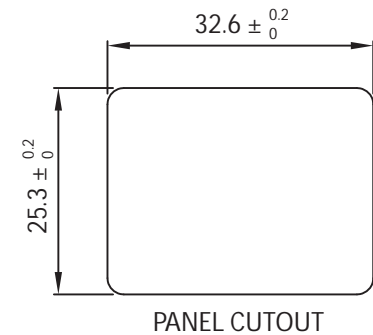
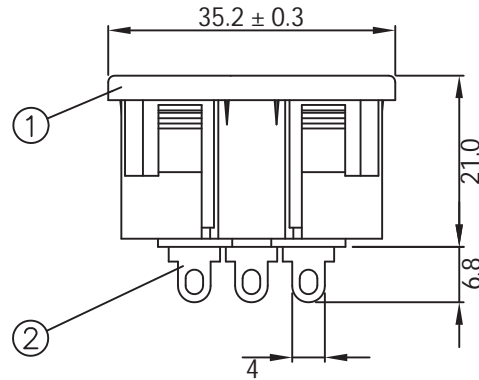
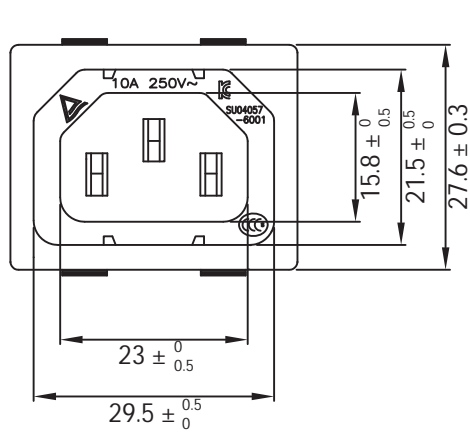


THESE DRAWINGS ARE THE PROPERTY OF QUALTEK ELECTRONICS AND NOT TO BE REPRODUCED FOR OR COMMUNICATED TO A THIRD PARTY WITHOUT THE EXPRESS WRITTEN PERMISSION OF AN OFFICER OF QUALTEK ELECTRONICS.

REVISION			
REV.	DESCRIPTION	DATE	APPROVED
B	RoHS Compliancy	06-01-06	DP
C	Depth Change to meet UL 60320 and Updated Approvals	11-08-19	LY



NOTES:

RATING:

UL, CSA: 15A 250V AC
 TUV, CCC: 10A 250V AC
 APPROVALS: UL, CSA, TUV, CCC
 PANEL THICKNESS: 0.8~2.0mm
 RoHS COMPLIANT

CONTROLLED

2	Contact PIN Brass Strip t=0.8mm Tin-Plated	3		
1	Body Insulator PC Black Color UL94V-2	1		
Dim range (mm)	Tolerance +/- (mm)	Qualtek Electronics Corp. PPC DIVISION		
		Part Number: 716W-X2/01	RoHS Compliant	
0-1	0.40	Description: AC RECEPTACLE		
1-6	0.40			
6-18	0.50	UNIT: mm	REV. C	
18-50	0.50			
50-120	0.70	Drawn / Date	Checked / Date	Approved / Date
120-250	0.90	B.ZHANG 05-20-04	05-20-04	JJH / 05-20-04
250-500	1.20			

Mouser Electronics

Authorized Distributor

Click to View Pricing, Inventory, Delivery & Lifecycle Information:

[Qualtek:](#)

[716W-X2/01](#)