

4

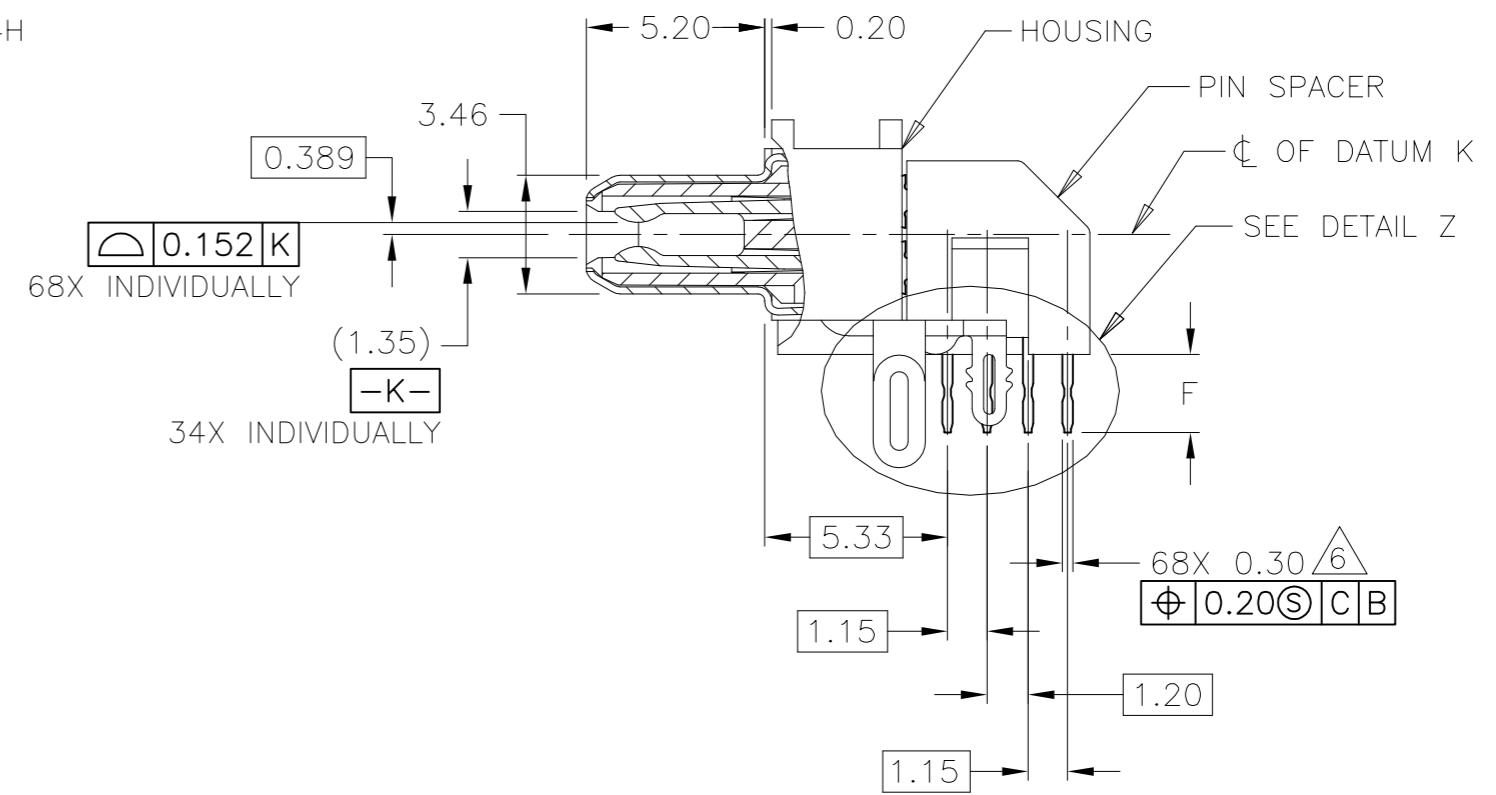
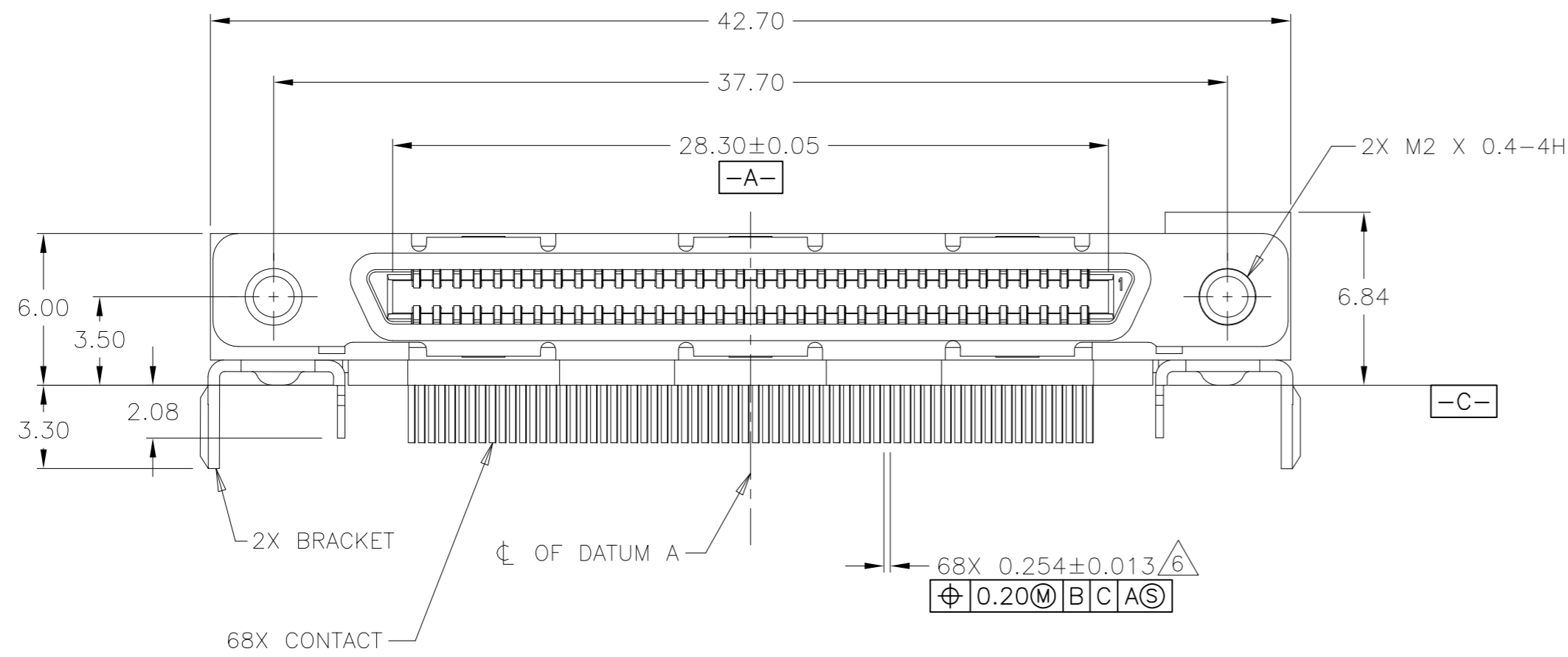
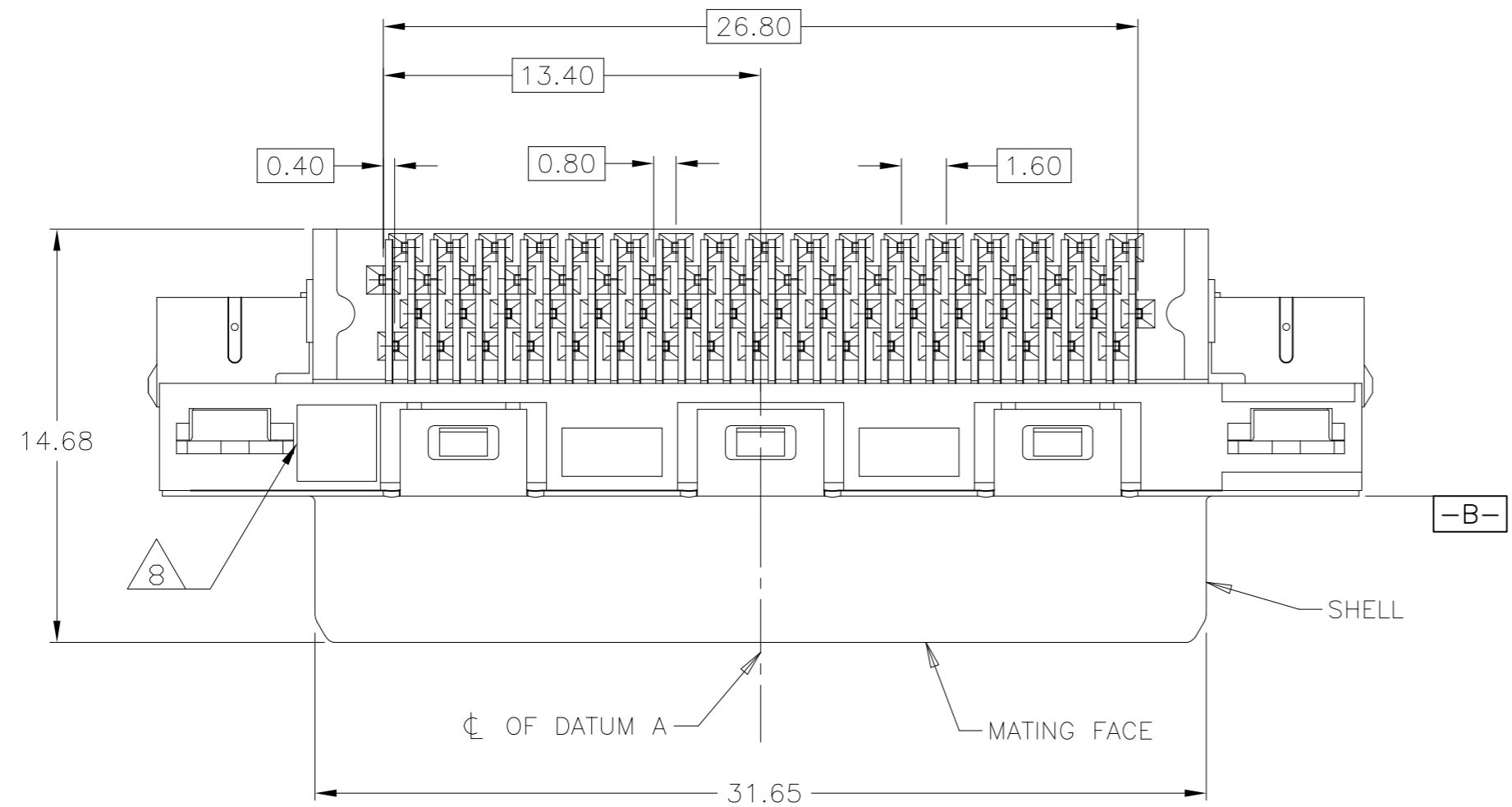
3

2

1

THIS DRAWING IS UNPUBLISHED. RELEASED FOR PUBLICATION. ALL RIGHTS RESERVED.

REVISIONS					
P	LTR	DESCRIPTION	DATE	DWN	APVD
D		REVISE PER ECO-17-008757	16JUN2017	RG	SH



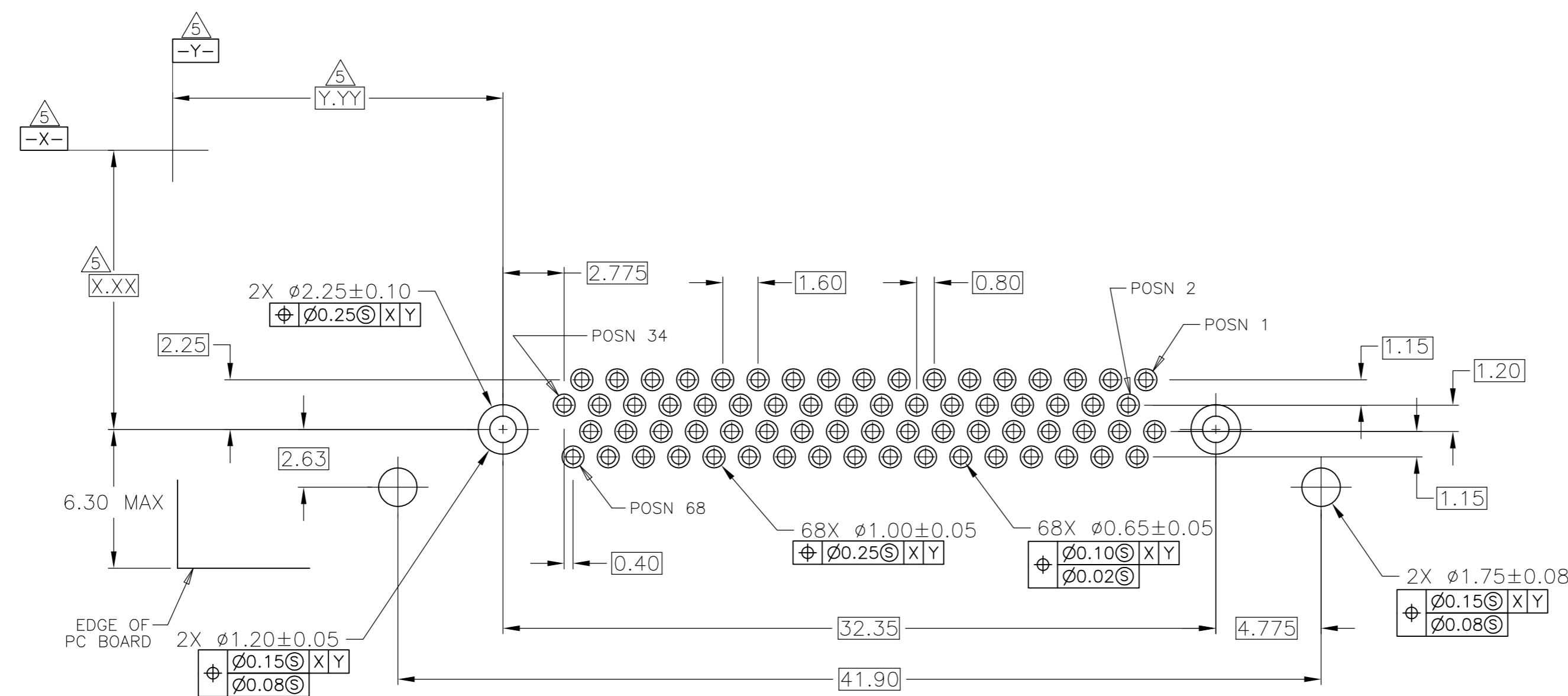
- ① HOUSING & PIN SPACER: THERMOPLASTIC, BLACK, UL 94V-0 RATED. SHELL: CARBON STEEL. CONTACTS: PHOSPHOR BRONZE. BRACKETS: STEEL.
- ② SHELL: 5.08µm MIN NICKEL OVER 2.54µm MIN COPPER. CONTACTS: 0.76µm MIN GOLD ON MATING END, 3.75µm MIN TIN ON SOLDER TAILS, BOTH OVER 1.27µm MIN NICKEL ON ENTIRE CONTACT. BRACKETS: TIN PLATED.
- ③ CONTACTS DESIGNED FOR USE ON 1.60±0.15 THICK PC BOARD WITH PLATED THRU MOUNTING HOLES.
- ④ RECEPTACLE ASSEMBLY DESIGNED FOR USE WITH 1.12±0.08 THICK PANEL.
- ⑤ DATUMS AND DIMENSIONS ESTABLISHED BY CUSTOMER.
- ⑥ POSITION TOLERANCE APPLIES AT CONTACT TIP ONLY.
- ⑦ CONTACTS DESIGNED FOR USE ON 2.35±0.15 THICK PC BOARD WITH PLATED THRU MOUNTING HOLES.
- ⑧ DATE CODE MARKED IN APPROXIMATE AREA SHOWN.
- ⑨ CONTACTS DESIGNED FOR USE ON 4.34±0.15 THICK PC BOARD WITH PLATED THRU MOUNTING HOLES.

SOFT TRAY	⑨	5.59	5796055-4
HARD TRAY	⑦	3.55	5796055-3
SOFT TRAY	⑦	3.55	5796055-2
SOFT TRAY	③	2.27	5796055-1
TRAY	REMARKS	F	PART NUMBER

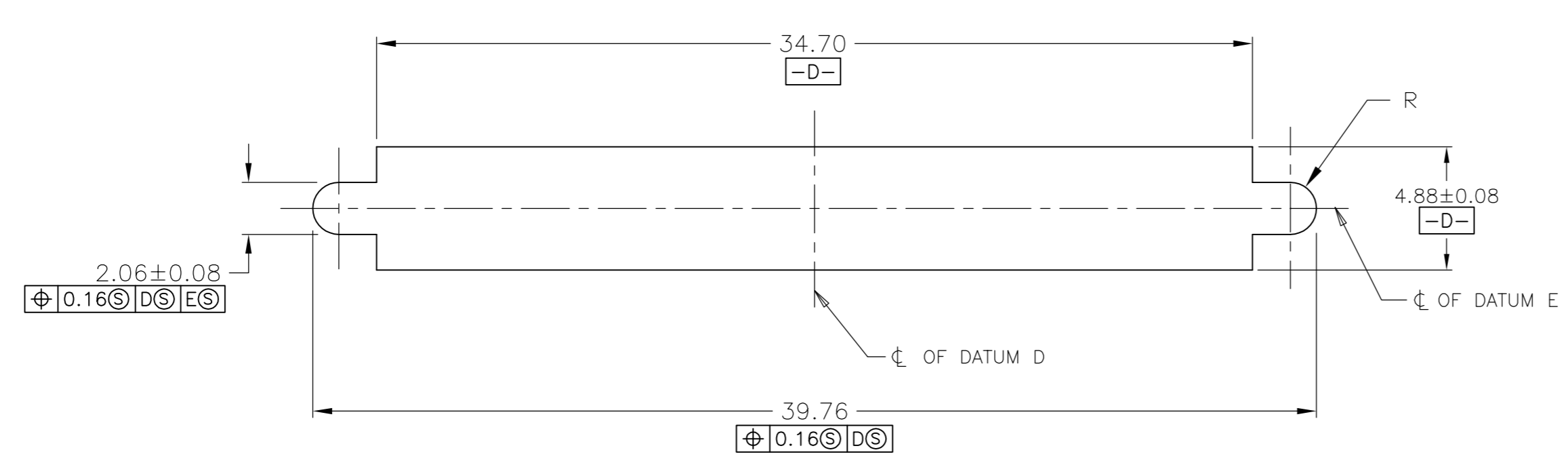
THIS DRAWING IS A CONTROLLED DOCUMENT.		DWN J.GERACE 31JAN05	TE Connectivity	
DIMENSIONS: mm		CHK S.SHUEY 31JAN05	RECEPTACLE ASSEMBLY, RIGHT ANGLE, 68 POS, SHIELDED, CHAMP 0.8mm	
TOLERANCES UNLESS OTHERWISE SPECIFIED:		APVD M.WALMSLEY 31JAN05	NAME	
0 PLC ± -	1 PLC ± -	PRODUCT SPEC 108-1471	SIZE CAGE CODE DRAWING NO RESTRICTED TO	
2 PLC ± 0.13	3 PLC ± -	APPLICATION SPEC 114-6057	A2 00779 C=5796055	
4 PLC ± -	ANGLES ± -	WEIGHT 0	SCALE 5:1 SHEET 1 OF 2 REV D	
MATERIAL ①	FINISH ②	CUSTOMER DRAWING		

THIS DRAWING IS UNPUBLISHED. RELEASED FOR PUBLICATION  
 © COPYRIGHT - By - ALL RIGHTS RESERVED.

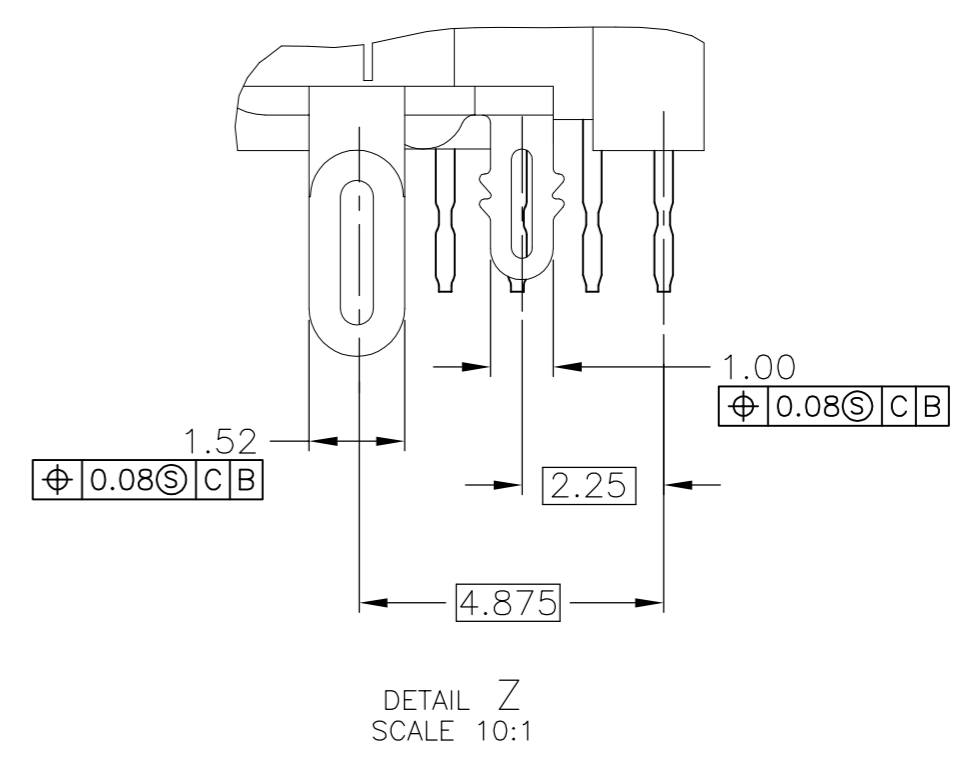
REVISIONS					
P	LTR	DESCRIPTION	DATE	DWN	APVD
-	-	SEE SHEET 1	-	-	-



PC BOARD MOUNTING DIMENSIONS



PANEL CUT-OUT DIMENSIONS



DETAIL Z SCALE 10:1

THIS DRAWING IS A CONTROLLED DOCUMENT.		DWN J.GERACE 31JAN05			TE Connectivity	
DIMENSIONS: mm		CHK S.SHUEY 31JAN05			NAME	
TOLERANCES UNLESS OTHERWISE SPECIFIED:		APVD M.WALMSLEY 31JAN05	PRODUCT SPEC		APPLICATION SPEC	
0 PLC ± -		108-1471		SIZE		CAGE CODE
1 PLC ± -		114-6057		A2		00779
2 PLC ± 0.13		0		DRAWING NO		5796055
3 PLC ± -		CUSTOMER DRAWING		SCALE		5:1
4 PLC ± -		WEIGHT		SHEET		2 of 2
ANGLES ± -		FINISH		REV		D

# Mouser Electronics

Authorized Distributor

Click to View Pricing, Inventory, Delivery & Lifecycle Information:

[TE Connectivity:](#)

[5796055-2](#)