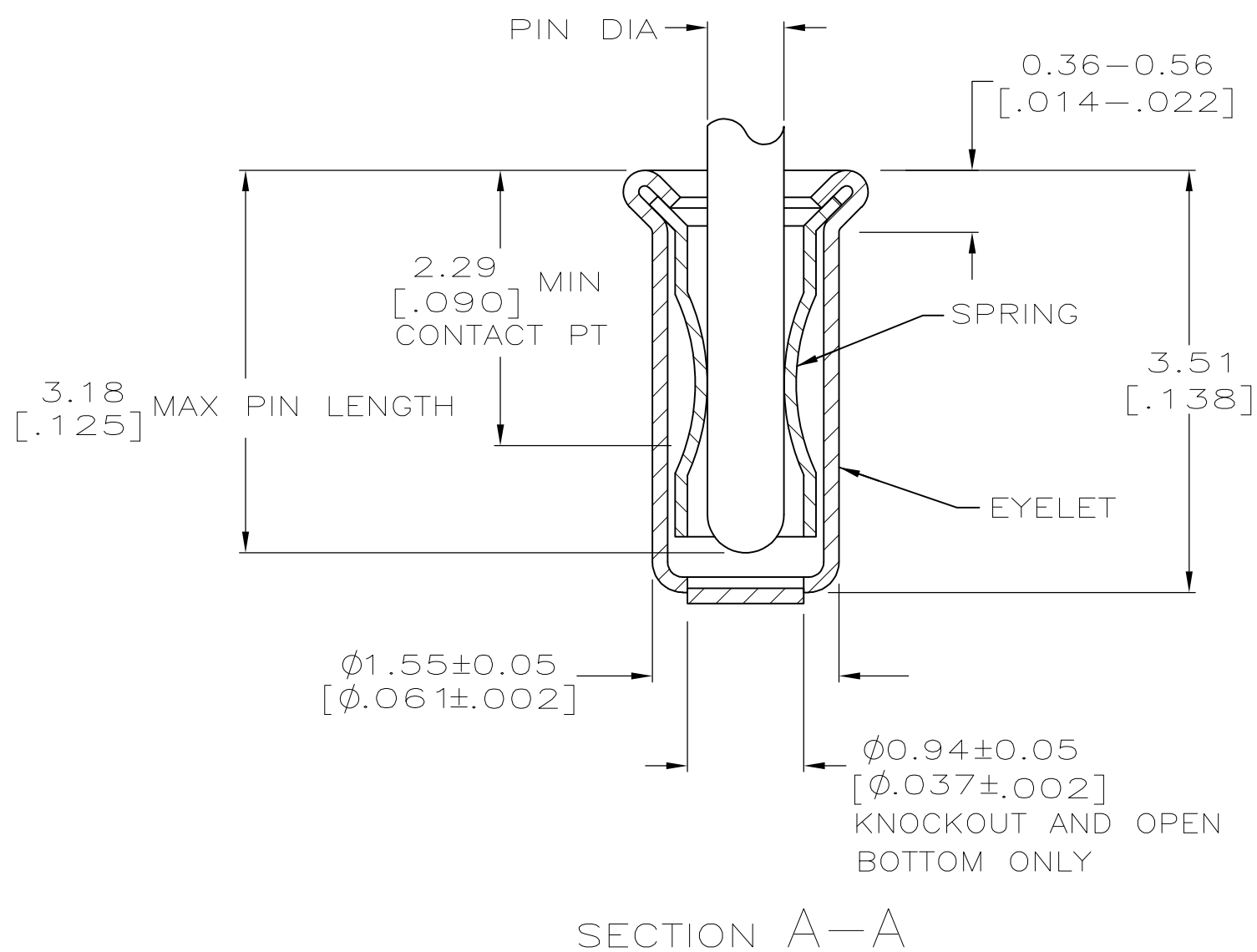
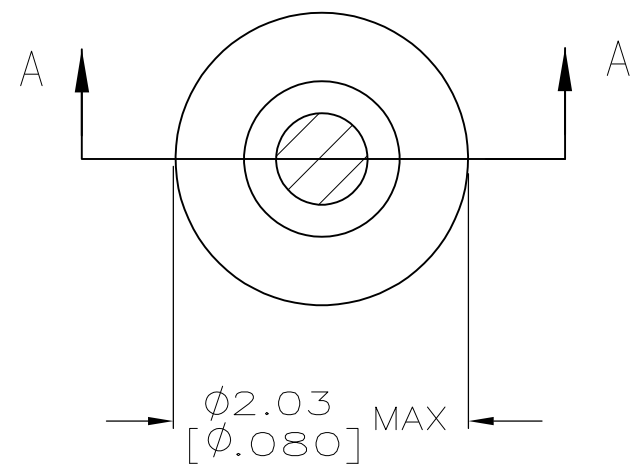


THIS DRAWING IS UNPUBLISHED. RELEASED FOR PUBLICATION
 © COPYRIGHT - By - ALL RIGHTS RESERVED.

LOC		DIST		REVISIONS			
P	LTR	DESCRIPTION		DATE	OWN	APVD	
GP	00	P		REVISED PER ECO-11-004835	07MAR11	RK HMR	



- 1. TIN PLATE PER ASTM B 545 0.00254 [.000100] MIN THICK.
- 2. GOLD PLATE PER ASTM B 488 0.00076 [.000030] MIN THICK OVER NICKEL PLATE PER QQ-N-290 0.00028 [.000011] MIN THICK ON CONTACT AREA.
- 3. RECOMMENDED HOLE SIZE, PLATED OR UNPLATED:
 MACHINE INSERTION: 1.57 ^{+0.10}/_{-0.08} [.062 ^{+0.004}/_{-0.003}]
 HAND INSERTION: 1.60 ^{+0.10}/_{-0.00} [.063 ^{+0.004}/_{-0.000}]
- 4. APPLICATION TOOL PART NUMBER: MACHINE NO. 682127-4
 INSERTION HEAD NO. 682039-3
- 5. TO INSURE PROPER SPRING TENSION DO NOT EXCEED A 0.05 [.002] DIFFERENCE IN PIN DIA WHEN CHANGING TO A SMALLER PIN.
- 6. BOTTOM PLUG KNOCKOUT TOOL PART NUMBER 69729 WITH TIP PART NUMBER 69728-1.
- 7. MATERIAL: BERYLLIUM COPPER PER ASTM B 194
 EYELET: COPPER PER ASTM B 152
- 8. OBSOLETE PARTS: OBSOLETE CIS STREAMLINING PER D.RENAUD/D.SINISI

8	OBSOLETE	OPEN	0.76-0.84 [.030-.033]	TIN 1	GOLD 2	7-5331677-4
		CLOSED	0.66-0.74 [.026-.029]			
		KNOCKOUT	0.76-0.84 [.030-.033]			3-5331677-4
		OPEN	0.66-0.74 [.026-.029]			3-5331677-2
		CLOSED	0.76-0.84 [.030-.033]			2-5331677-4
			0.76-0.84 [.030-.033]			2-5331677-2
			0.56-0.64 [.022-.025]			1-5331677-8
			0.76-0.84 [.030-.033]			1-5331677-6
						1-5331677-3
		BOTTOM TYPE	RECOMMENDED PIN DIA 5	EYELET	SPRING	PART NO
				FINISH		

THIS DRAWING IS A CONTROLLED DOCUMENT.

DIMENSIONS: mm [INCHES]	TOLERANCES UNLESS OTHERWISE SPECIFIED:	DWN A. FERNANDEZ-DOCK5 22APR2005	CHK J. HAVENER 22APR2005	APVD J. HAVENER 22APR2005	NAME
0 PLC ± -	1 PLC ± -	TE Connectivity		MINIATURE SPRING SOCKET ASSEMBLY	
2 PLC ± -	3 PLC ± 0.20 [.008]	PRODUCT SPEC 108-14008		SIZE A2	CAGE CODE 00779
4 PLC ± -	ANGLES ± -	APPLICATION SPEC 114-13152		DRAWING NO G-5331677	
MATERIAL NOTE 7	FINISH SEE TABLE	WEIGHT -		SCALE 20:1	SHEET 1 OF 1
		CUSTOMER DRAWING		REV P	

Mouser Electronics

Authorized Distributor

Click to View Pricing, Inventory, Delivery & Lifecycle Information:

[TE Connectivity:](#)

[2-5331677-2](#)