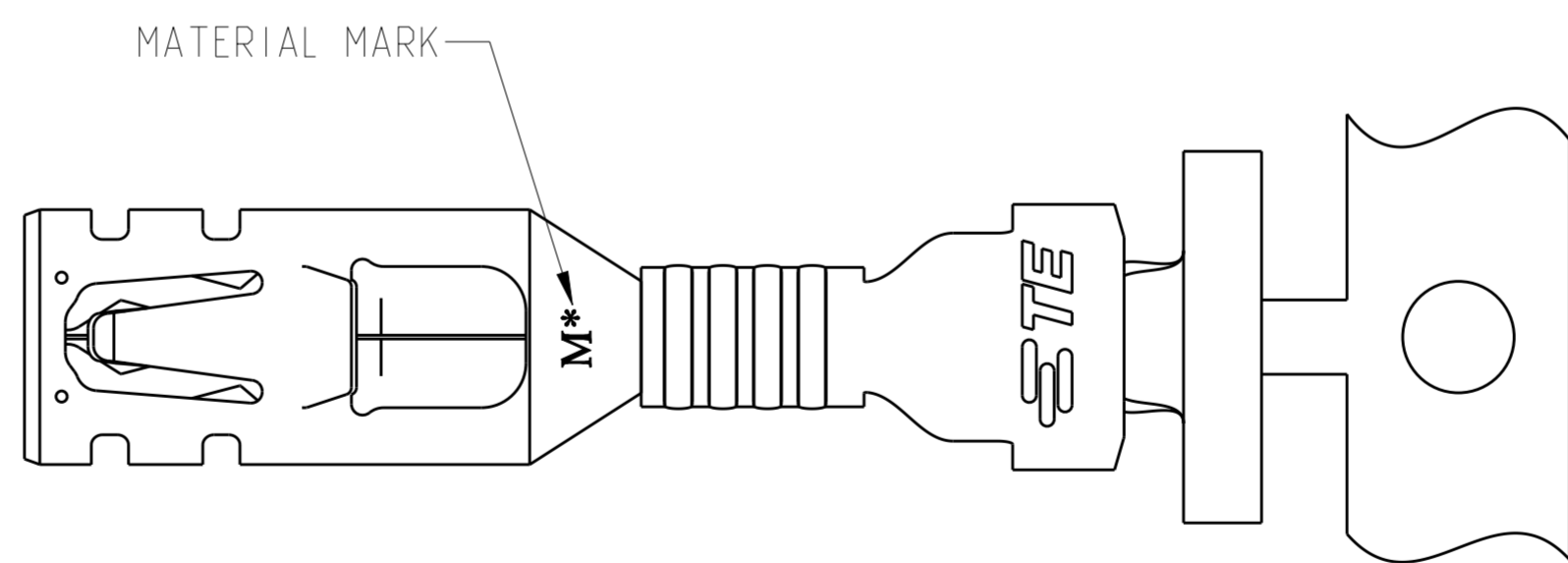
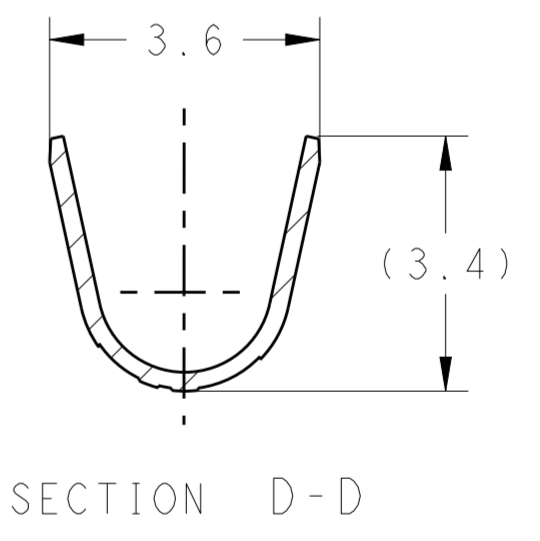
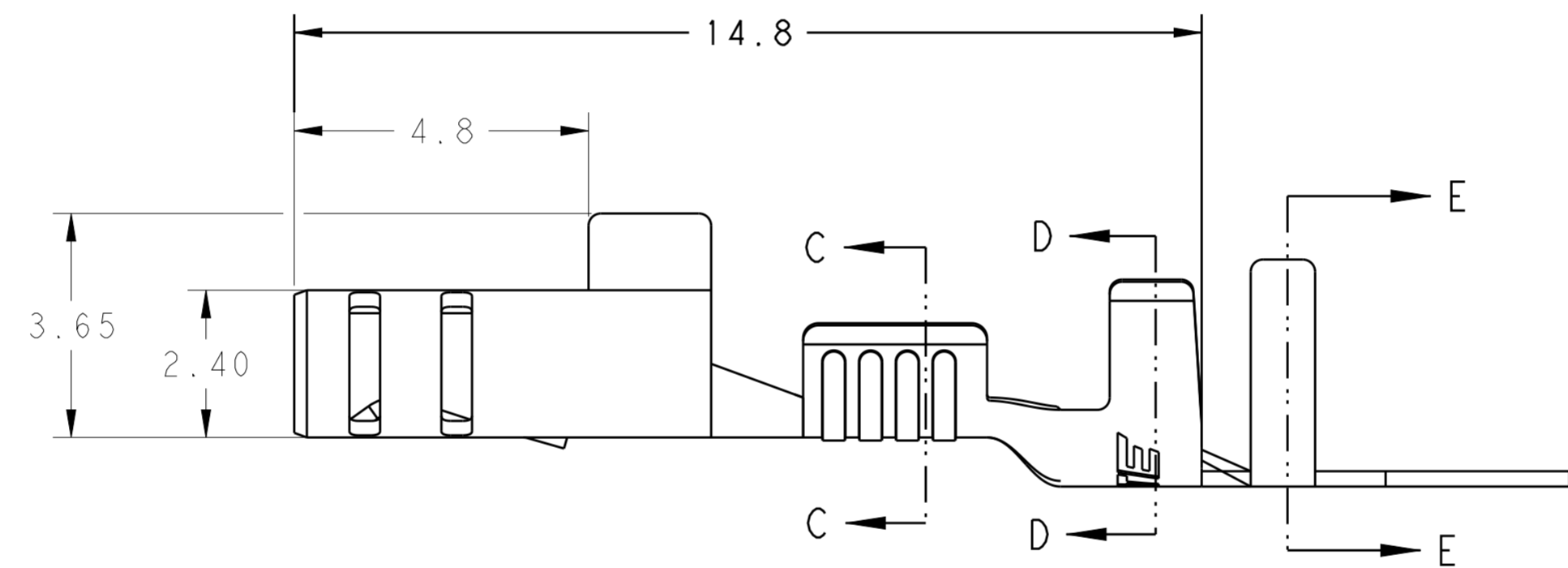
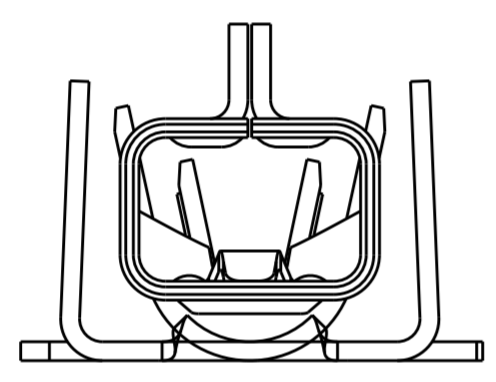
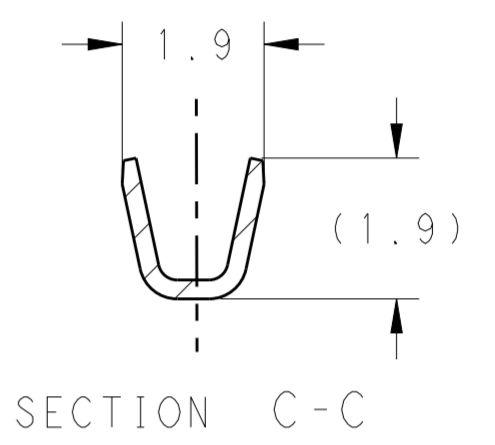
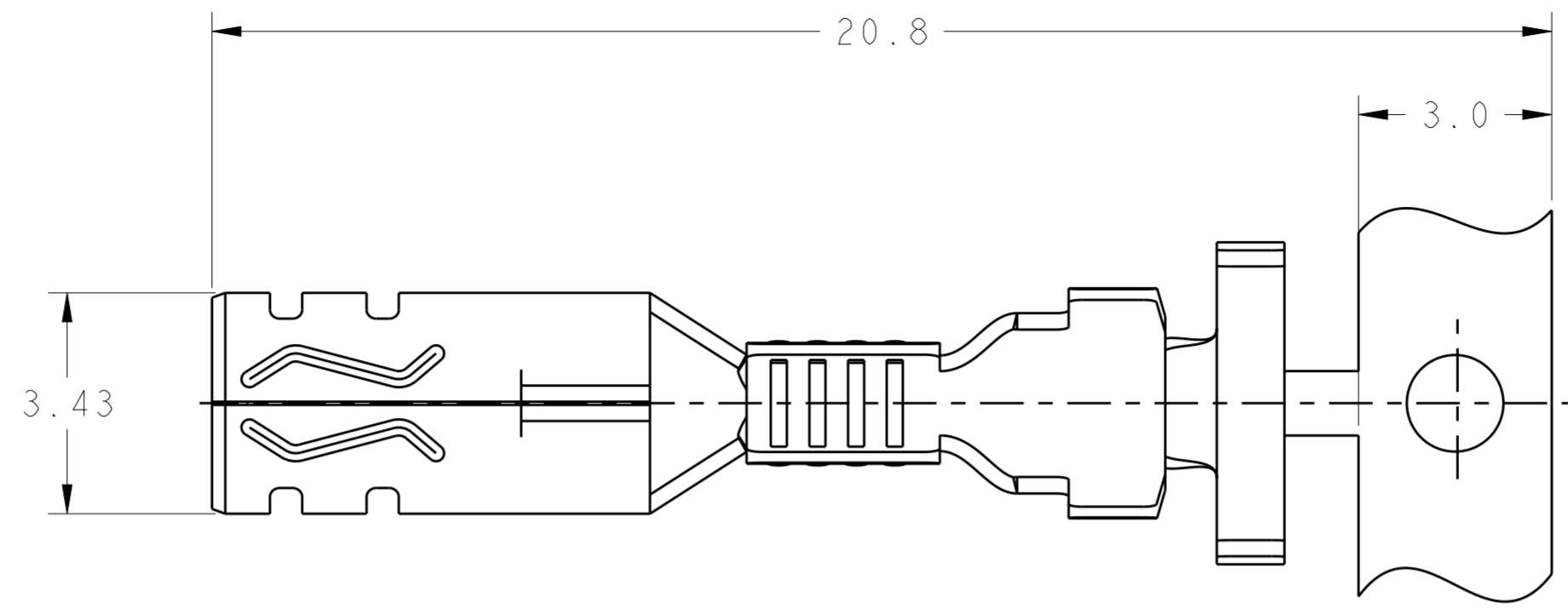
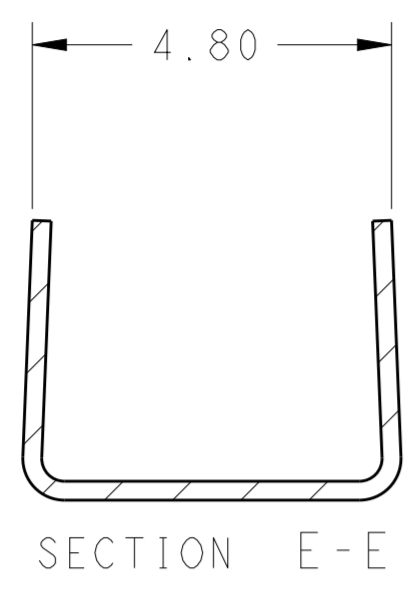


THIS DRAWING IS UNPUBLISHED. RELEASED FOR PUBLICATION 20
 © COPYRIGHT 20 BY - ALL RIGHTS RESERVED.

REVISIONS				
P	LTR	DESCRIPTION	DATE	APVD
D		REVISED PER ECO-16-013278	09SEP2016	RS GJ



- 1 APPLICABLE WIRE: 20-22 AWG COPPER STRANDED
- 2 APPLICABLE INSULATION DIAMETER: 1.14-2.70mm.
- 3 APPLICABLE MATED PLUG HOUSING P/N:
 -1971773-/*-1971776-*/*-1971876-*/
 -2232265-/*-2232266-*/*-2232357-*

4 THIS PRODUCT HAS NOT COMPLETED VALIDATION TESTING.

MATERIAL	TEMP. RATING	MATERIAL MARK	PART NO
COPPER ALLOY	HIGH(150°C)	M0	1971785-2
PHOS BRONZE	STANDARD(105°C)	M1	1971785-1

THIS DRAWING IS A CONTROLLED DOCUMENT.

DIMENSIONS: mm	TOLERANCES UNLESS OTHERWISE SPECIFIED: 0 PLC ± 1 PLC ±0.5 2 PLC ±0.30 3 PLC ± 4 PLC ± ANGLES ± FINISH	DWN TOMMY WU 11JUL2012	TE Connectivity
		CHK HAPYE WU 11JUL2012	
		APVD YUHONG MAO 11JUL2012	NAME
		PRODUCT SPEC	RECEPTACLE CONTACT POWER TRIPLE LOCK
		APPLICATION SPEC	
MATERIAL	SEE TABLE	114-106118	SIZE CAGE CODE DRAWING NO RESTRICTED TO
	PRE-TIN	114-106118	A2100779C-1971785
		WEIGHT	SCALE 6:1 SHEET 1 OF 1 REV D
		Customer Drawing	

Mouser Electronics

Authorized Distributor

Click to View Pricing, Inventory, Delivery & Lifecycle Information:

[TE Connectivity:](#)

[1971785-2](#)