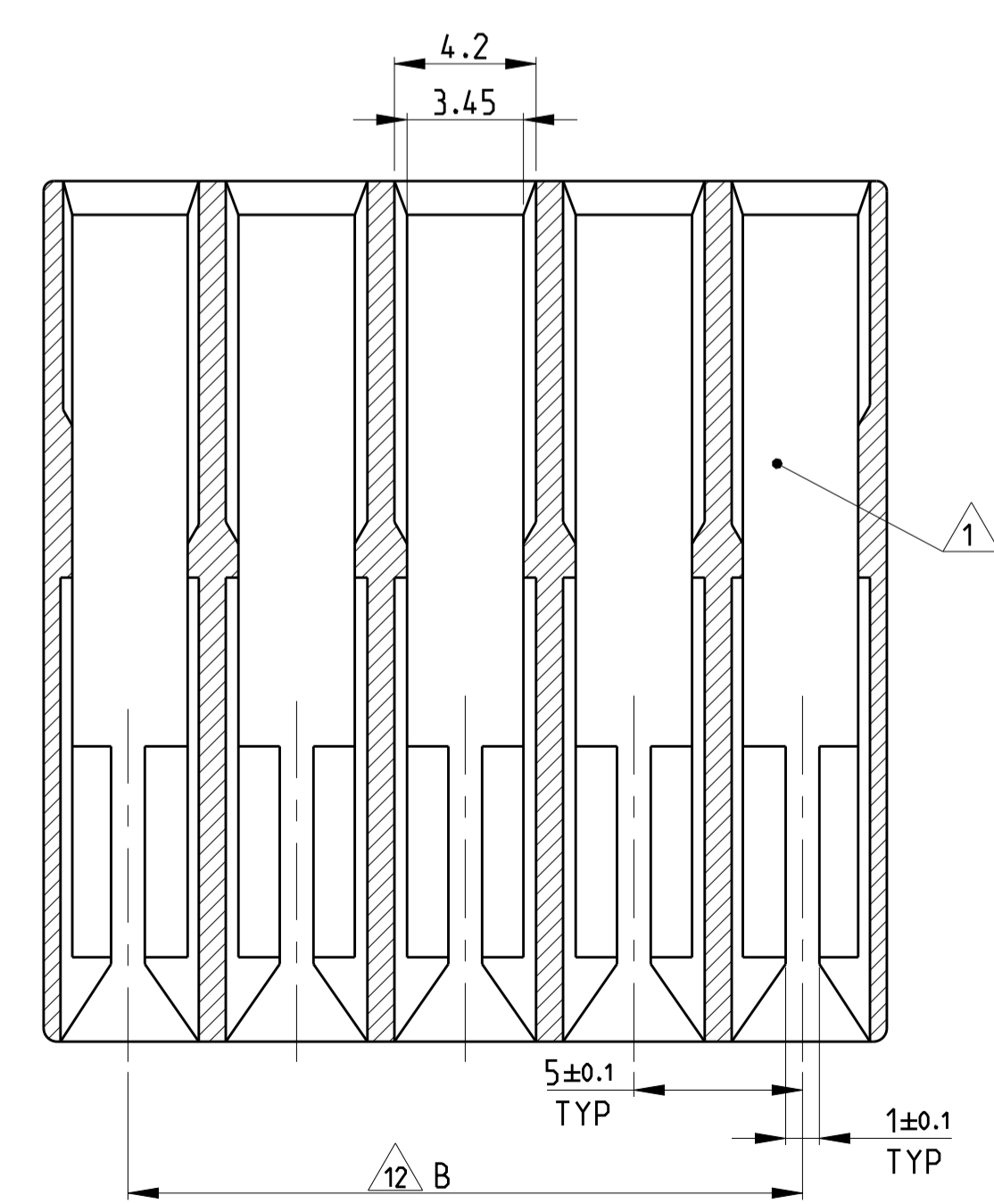
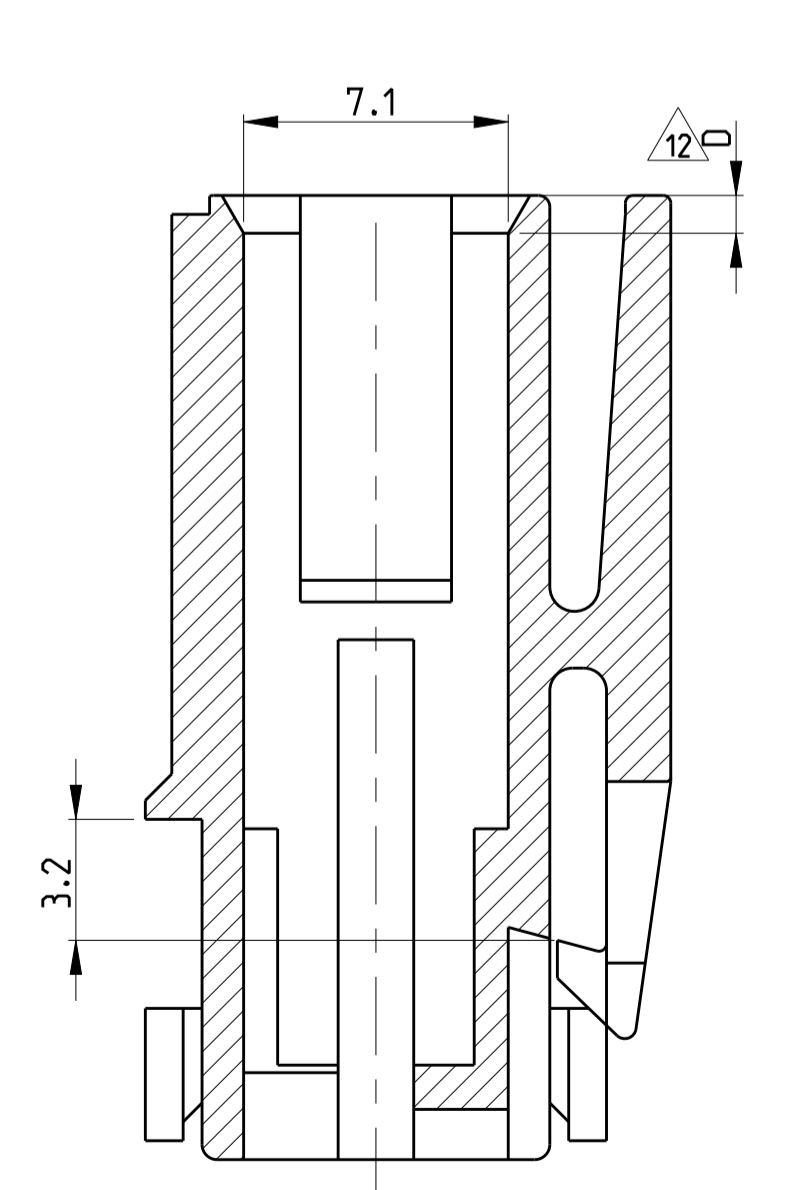
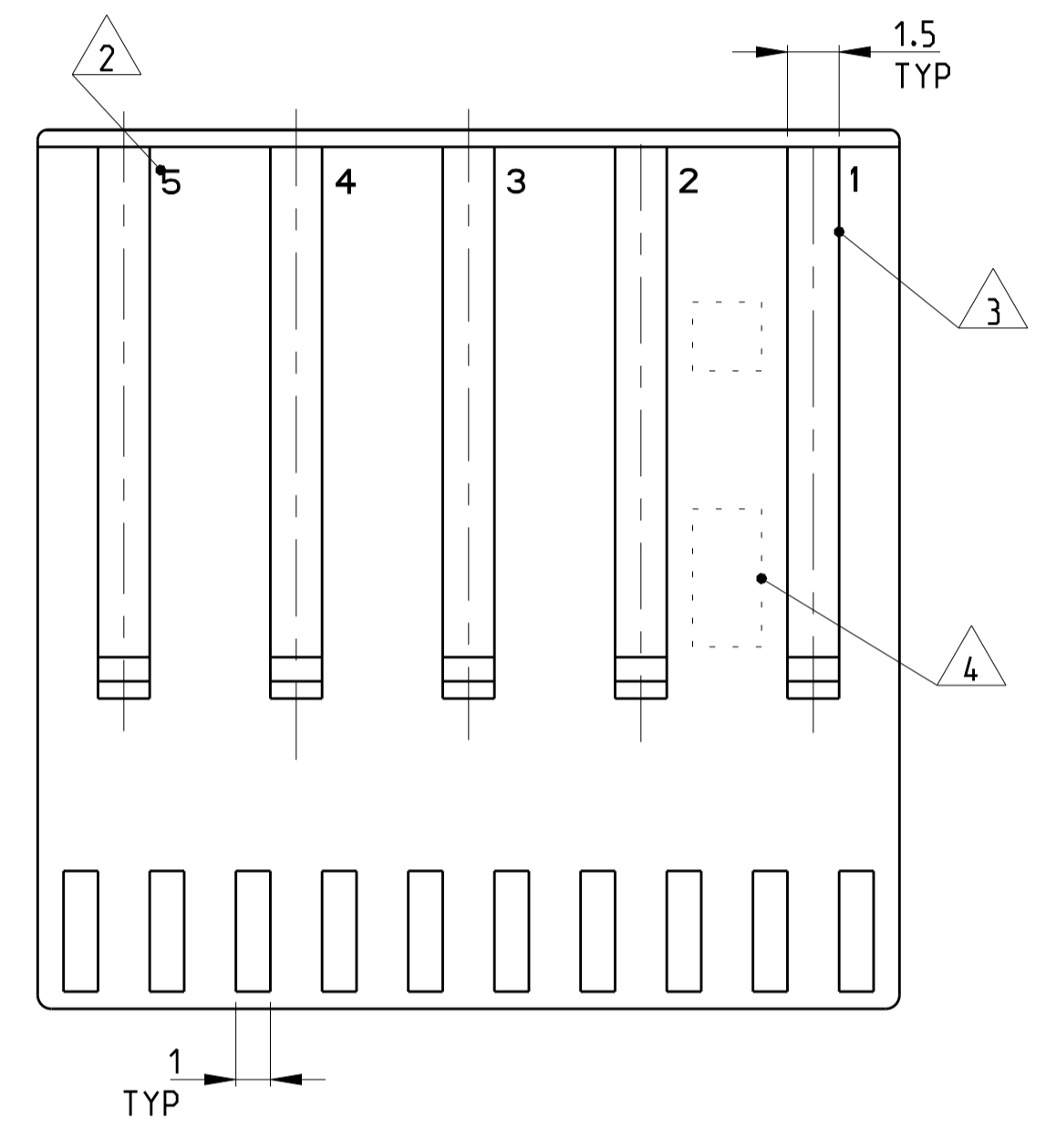
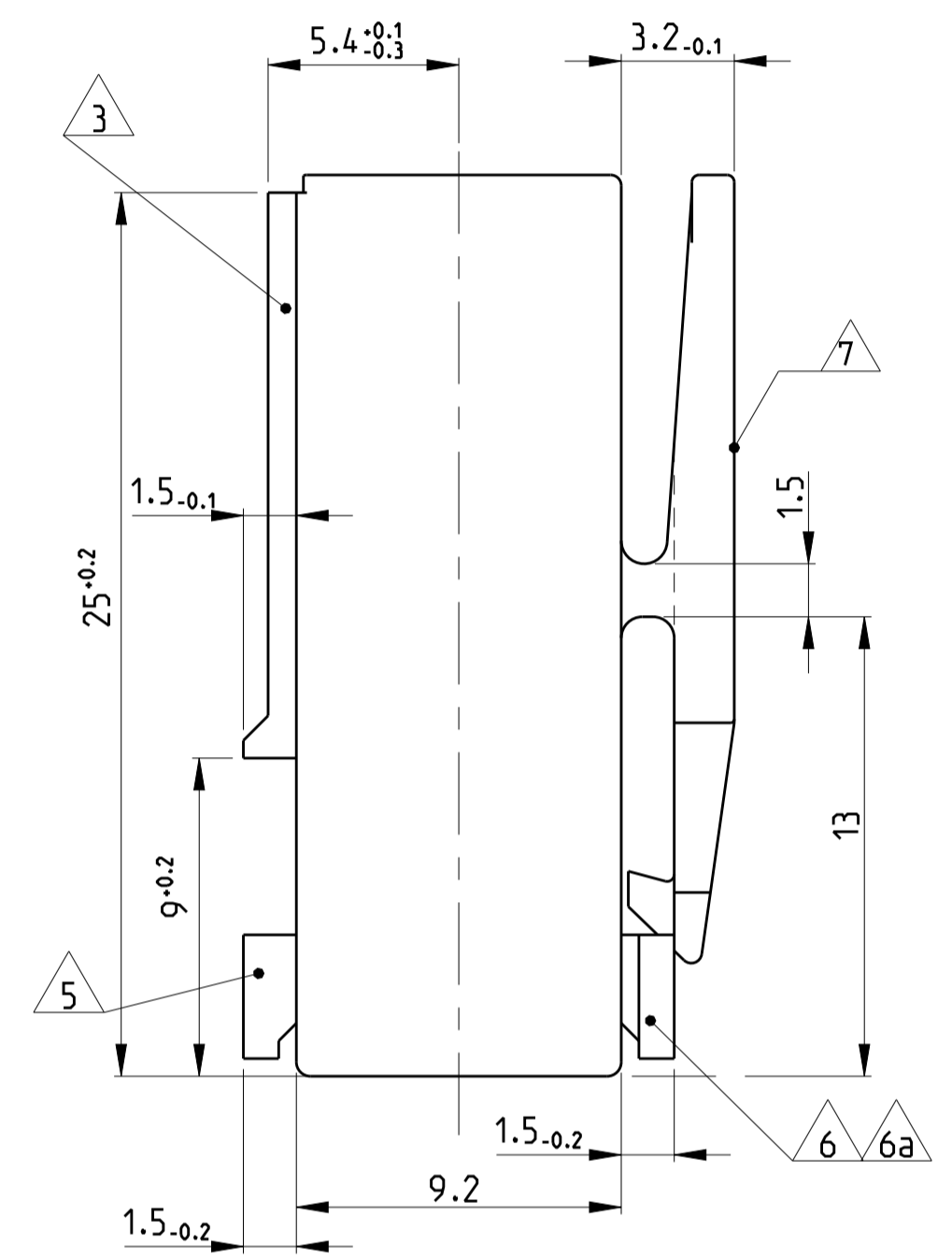
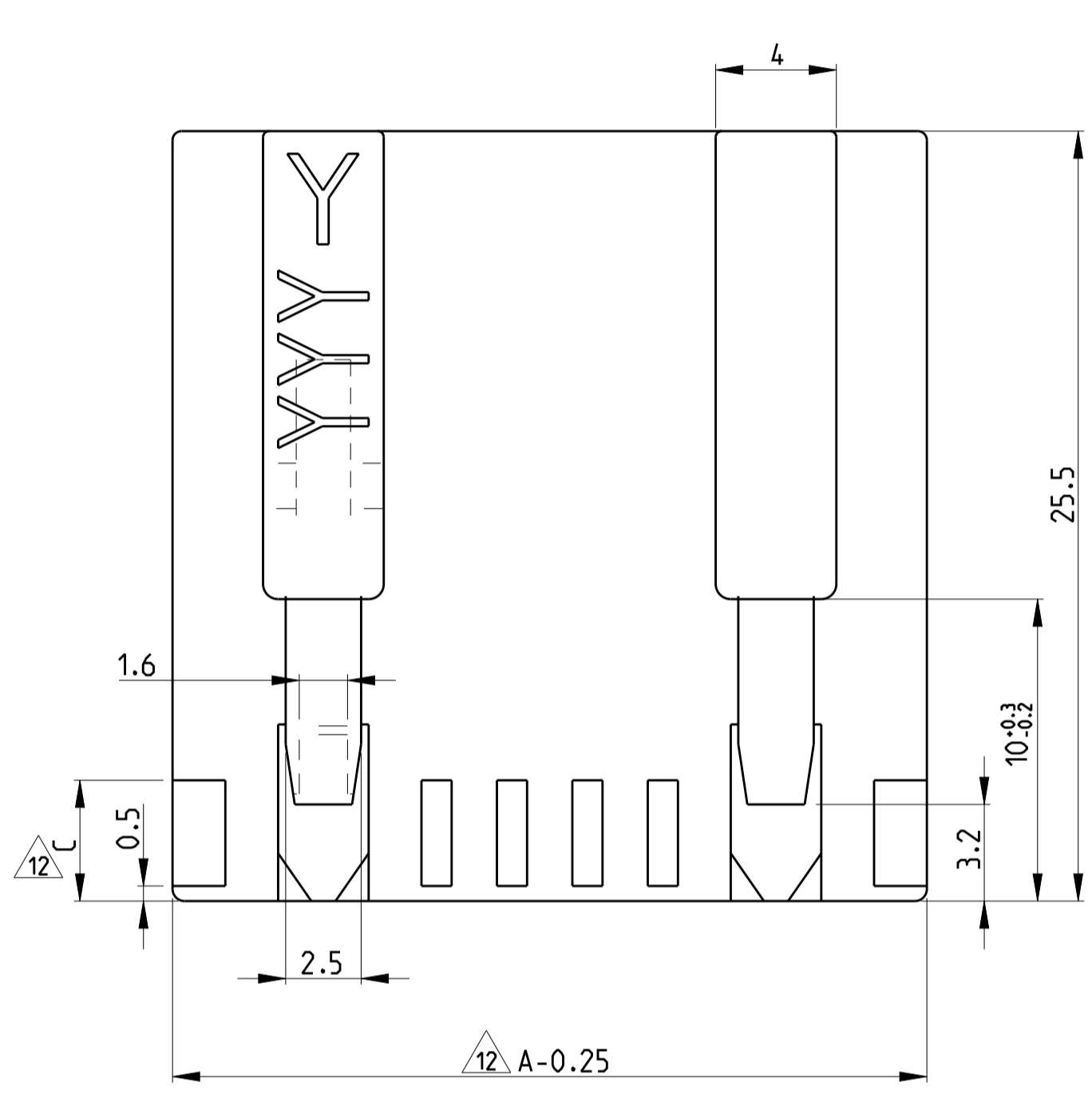
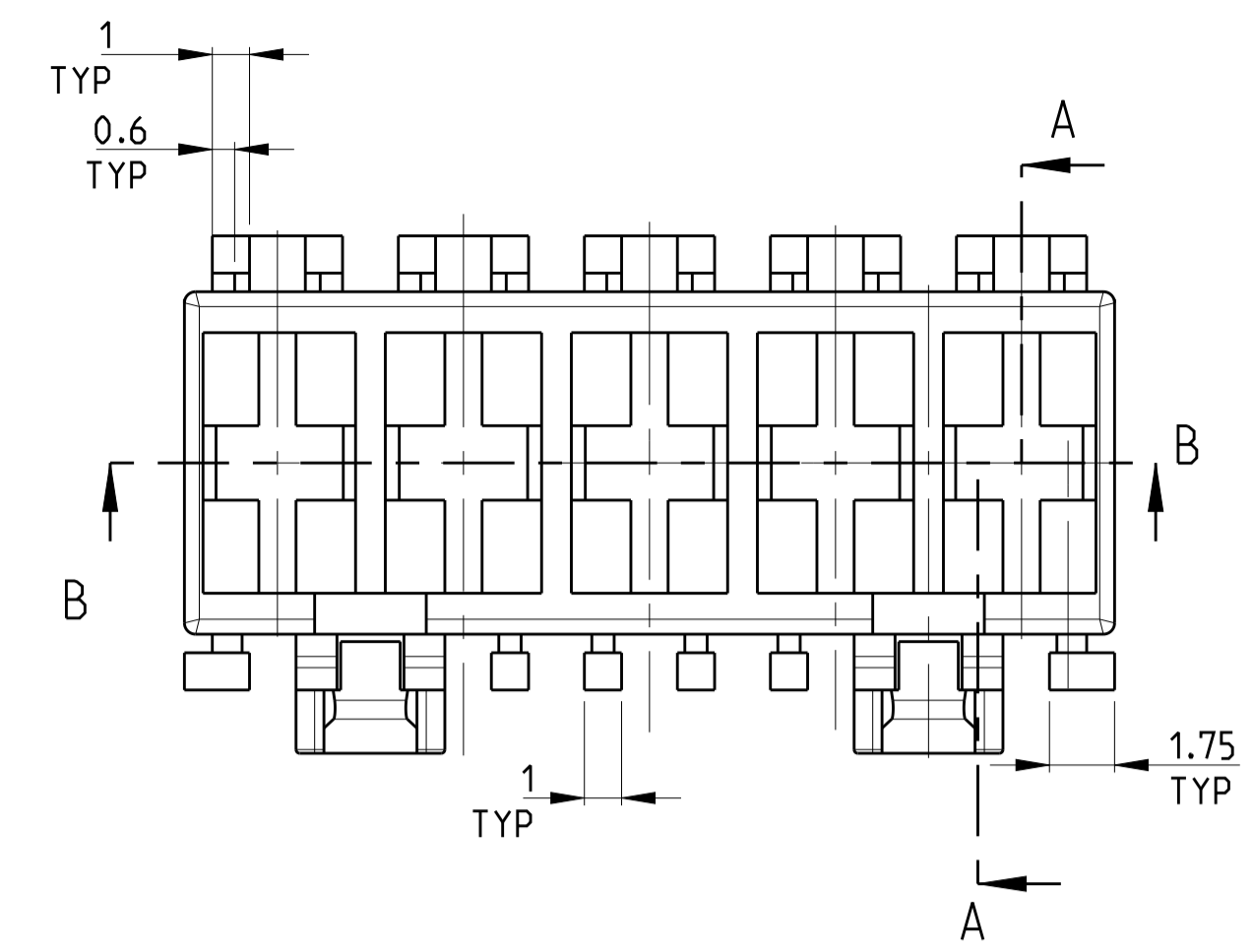
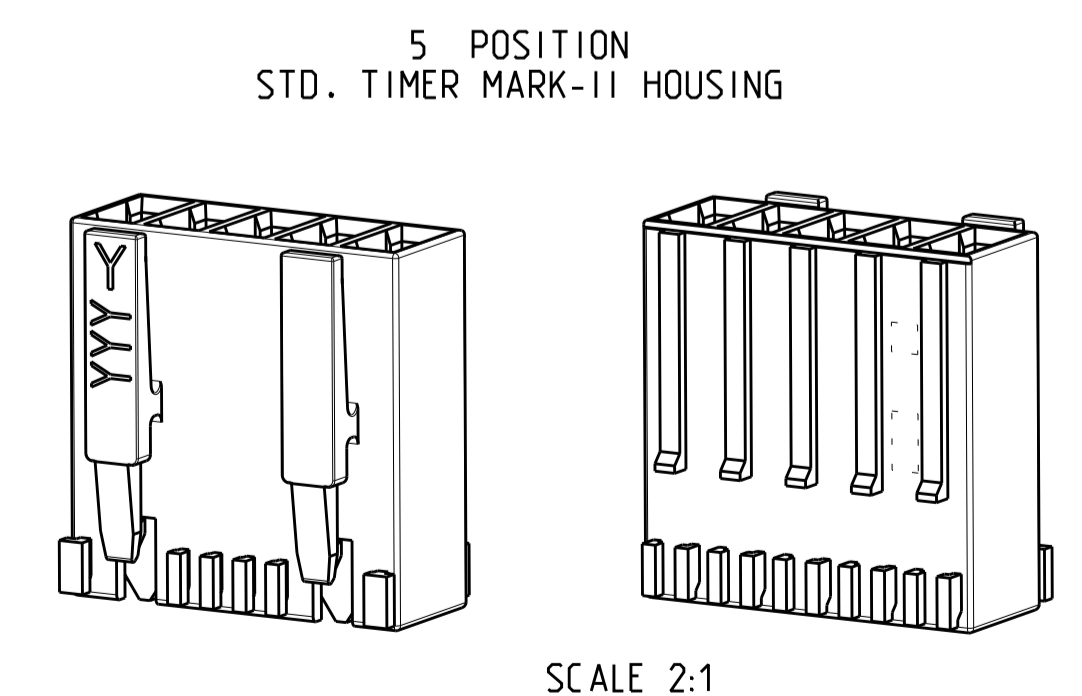


LOC	DIST	REVISIONS					
		P	LTR	DESCRIPTION	DATE	DWN	APVD
C 38	ECR-18-000171				05JAN2018	KD	RR
C 39	ECR-18-001281				24FEB2018	LZ	RR
C 40	ECR-18-007974				25MAY2018	LZ	FL
C 41	ECR-18-014326				25OCT2018	KD	FL

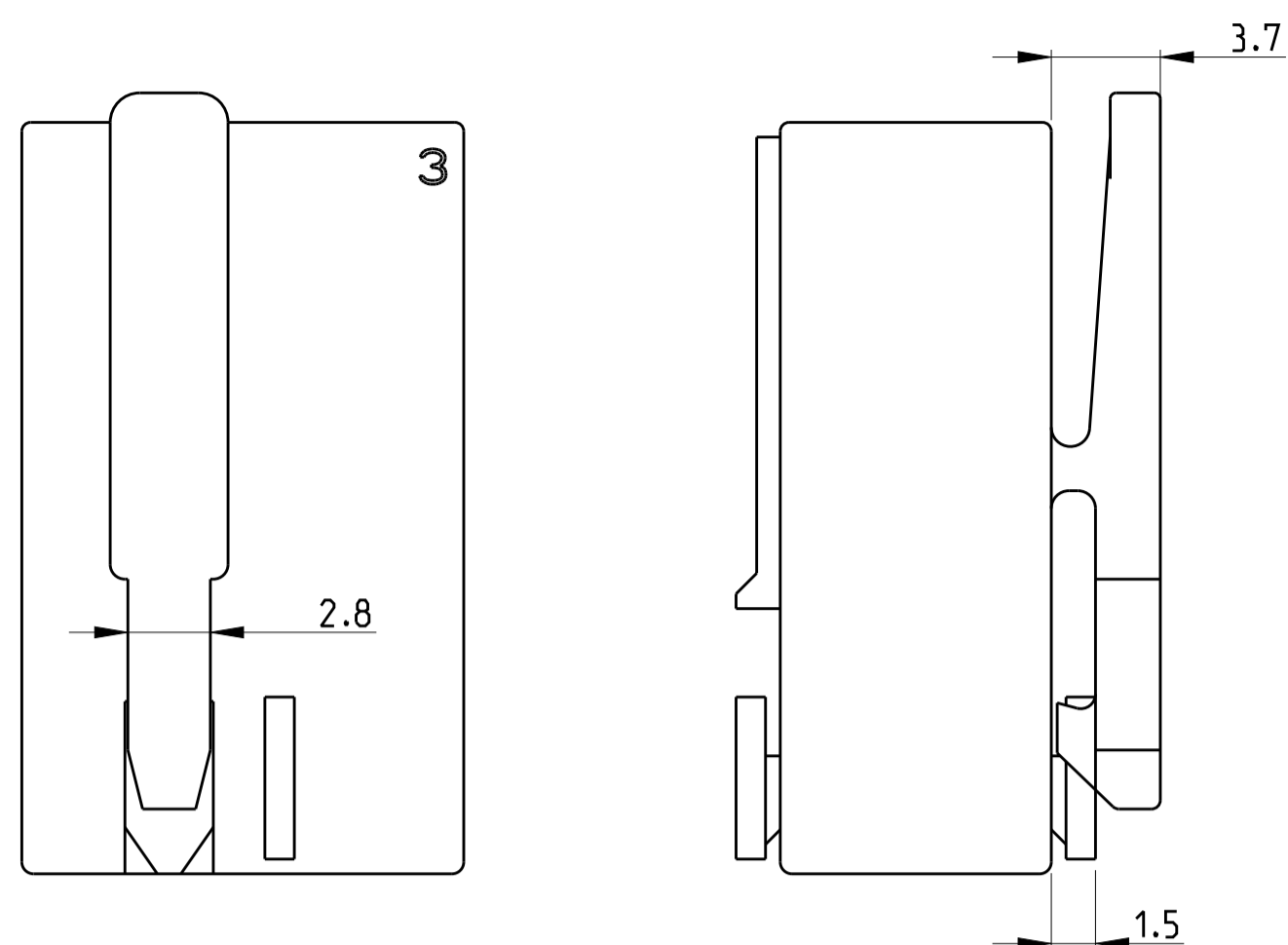


- REMARKS/Bemerkungen**
- 1 CAVITY SUITABLE FOR STANDARD TIMER CONTACTS LISTED IN PROD.SPEC. 108-18049. ITEM 3.3.2  
Kammer geeignet für Standard Timer Kontakte gelistet in Prod. Spec. 108-18049. Punkt 3.3.2
  - 2 CONTACT CAVITY NO.  
Kontaktkammernummerierung
  - 3 MATING STOP  
Tiefenanschlag
  - 4 AREA FOR TE LOGO ACC: TO SPEC 202-36  
Bereich für TE Logo nach Spec. 202-36
  - 5 POLARIZATION RIB POSITION "a" AND/OR "b"  
Polarisierungsrippe Position "a" und/oder "b"
  - 6 KEYING RIB POSITION "c" AND/OR "d"  
Kodierrippe Position "c" und/oder "d"
  - 6a KEYING RIB POSITION "c" AND/OR "d" AT THE END WALLS OF THE HOUSING  
Kodierrippe Position "c" und/oder "d" an den Gehäusestirnseiten
  - 7 LOCKING LATCH  
Rasthaken
  - 8 TE PART NO (PN)  
TE Bestell Nr. (PN)
  - 9 DESIGN OF THE HOUSINGS ACC. TO RAST 5 STANDARD  
Gehäuseausführung gemäss RAST 5 Vorgabe
  - 10 GENERAL SUITABLE TAB HEADER SEE RAST 5 PERFORMANCE  
Generell passende Flachsteckerwannen siehe RAST 5 Vorgabe
  - 11 PACKAGING: BULK PACKAGING IN CORRUGATED BOX PN 740580-2  
2 POS. 2500 PIECES PER BOX / 3 POS. 2000 PIECES PER BOX  
Verpackung: Schüttgut in Versandkarton Pn 740580-2  
2pol. 2500 Stück per Karton / 3pol. 2000 Stück per Karton
  - 12 DIMENSION A, B C AND D SEE SHEET 2 OF 3
  - 13 MATERIAL CORRESPONDS TO THE REQUIRMENT EN 60335  
(INCL. GLOW WIRE TEST 750° WITHOUT FLAME)  
Material entspricht den Anforderungen der EN 60335  
(inkl. Glühdrahttest 750° ohne Flamme)
  - 14 RATIO NUMBER OF THE KEYING VERSION, INKJET PRINTED. SEE SHEET 2  
Kodierungskennnummer, mit Tintenstrahldrucker aufgebracht. siehe Blatt 2
  - 15 PRELIMINARY- NOT RELEASED FOR PRODUCTION



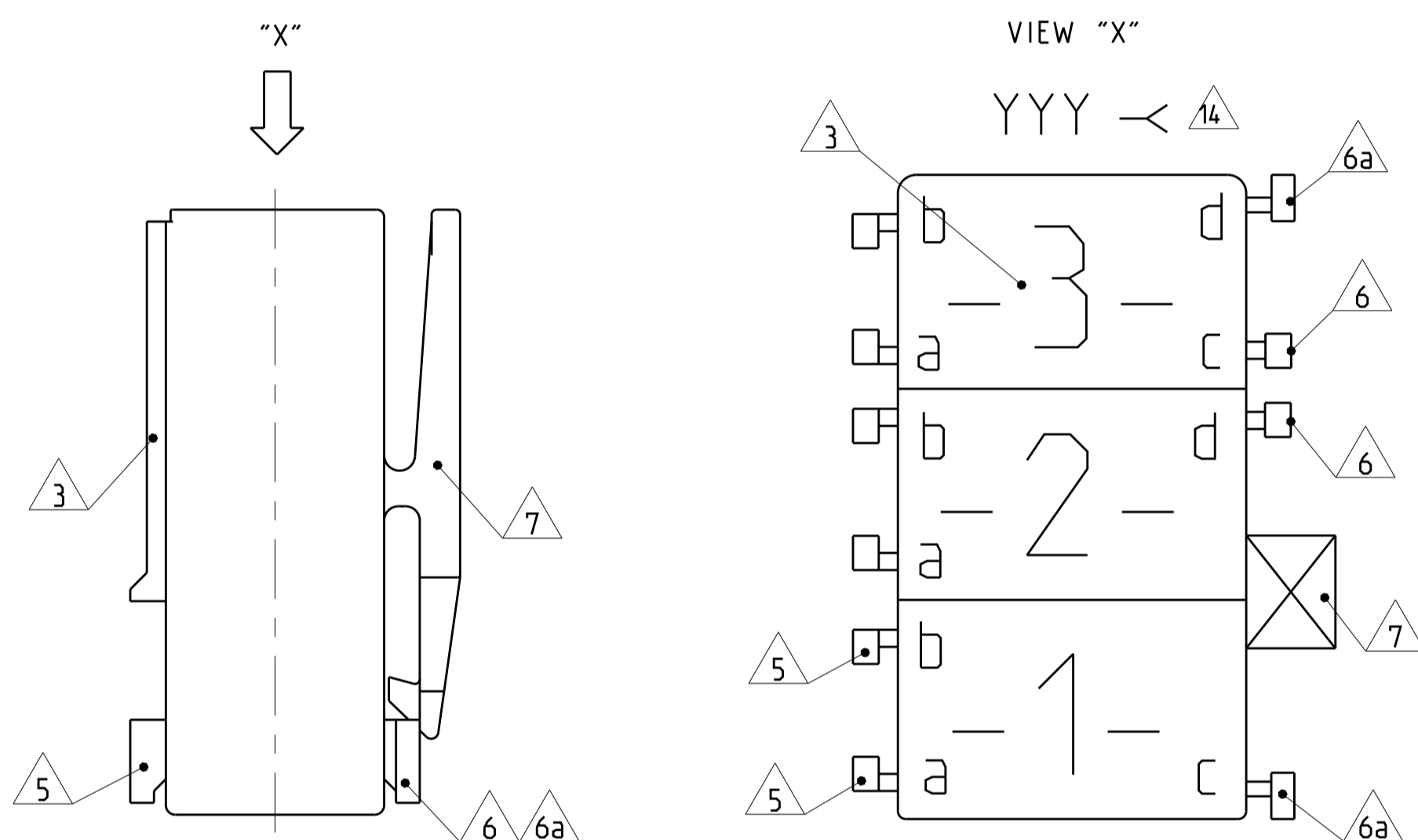
THIS DRAWING IS A CONTROLLED DOCUMENT.		DWN: Kishor M 18-10-07	TE Connectivity
DIMENSIONS: mm		CHK: K. Murtz 18-10-07	
TOLERANCES UNLESS OTHERWISE SPECIFIED:		APVD: Tm Klenner 18-10-07	NAME: STANDARD TIMER HSG. RAST 5 MARK II Standard Timer Gehäuse RAST 5 Mark II
0 PLC ±0.2 1 PLC ±0.2 2 PLC ±0.2 3 PLC ±0.2 4 PLC ±0.2 ANGLES FINISH *		PRODUCT SPEC: 108-18049 APPLICATION SPEC:	
MATERIAL: SEE TABLE SHEET 2 OF 3		WEIGHT: -	RESTRICTED TO: -
Customer Drawing		SCALE: 5:1	SHEET 1 OF 3 REV C 41

ONLY 5-1241961-7, 1-1241961-9, 7-1241961-7, 2345753-1



ALL OTHER DIMENSIONS SEE SHEET 1 OF 3

KEY LAYOUT DESCRIPTION



X-XXXXXX-X

SPECIAL VERSION: UL94 VO & GWT 750 NF & CTI 350									
5-1241961-7	3			15	10	PA66	NATURAL	A	
1-1241961-9	3	6	1	15	10		NATURAL	A	
7-1241961-7	3			15	10		NATURAL	A	

SPECIAL VERSION: UL94 VO & GWT 750 NF									
2322164-1	4	4	0.5	20	15	PA66	NATURAL	1	

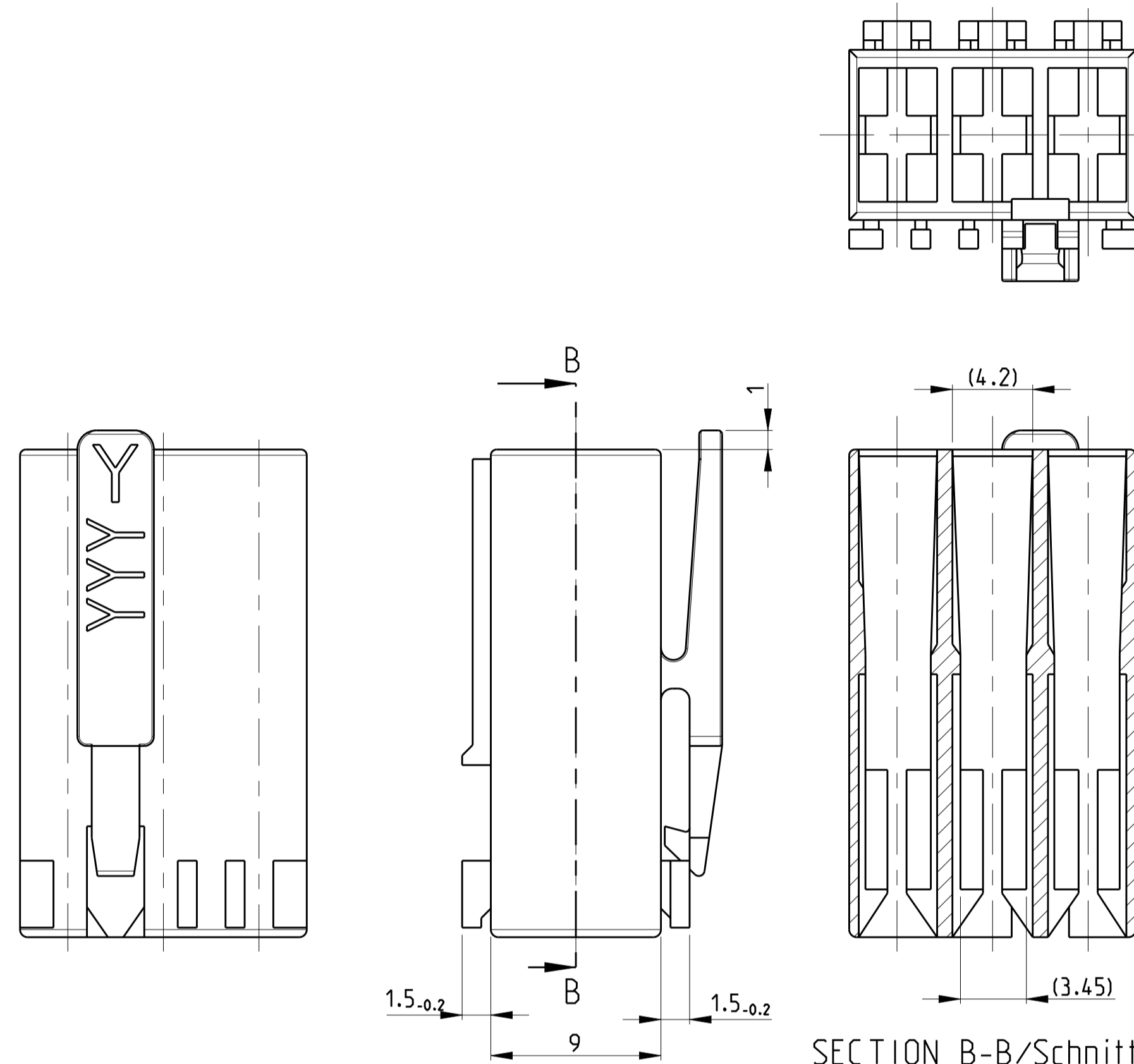
SPECIAL VERSION: UL94 V2 & GWT 750 NF									
6-2178575-7	3	4	0.5	15	10	PA6 GF15	NATURAL	A	

SPECIAL VERSION: UL94 VO & GWT 750 NF									
3-2178412-7	3			15	10	PA66 UL94 VO & GWT 750 NF	NATURAL	1	
4-2178412-7	3	6	1	15	10		NATURAL	1	
8-2178412-2	2			10	5		NATURAL	1	

UL94 VO & GWT 750 NF									
2322917-4	4	4	0.5	20	15	PA66 UL94 VO & GWT 750 NF	NATURAL	C	
2322917-2	2			10	5		NATURAL	1	
2315717-1	2			10	5		NATURAL	C	
2315717-2	2			10	5		NATURAL	C	
2315717-3	2			10	5		NATURAL	C	
2315717-4	4	4	0.5	20	15		NATURAL	C	
2315717-5	4			20	15		NATURAL	C	
2315717-6	3			15	10	NATURAL	C		
2315717-7	3			15	10	NATURAL	C		
PART NO.	POS.	DIM C	DIM D	DIM A	DIM B	MATERIAL	COLOUR	REV.	

PAY ATTENTION !  
DIFFERENT CAVITY GEOMETRY AND LOCKING LATCHE OVERHANG  
Bitte beachten !  
Unterschiedliche Kammergeometrie und Rasthakenuberstand.

FOR 2 POS. AND 3 POS.



ALL OTHER DIMENSIONS SEE SHEET 1 OF 3  
Alle anderen Masse siehe Seite 1 von 3

SPECIAL MATERIAL: UL94 VO									
2345753-1	3	6	1	15	10	PA66	NATURAL	1	

SPECIAL MATERIAL									
1955507-4	4			20	15	PA66	NATURAL	1	
9-1955506-2	2	6	1	10	5	UL 94 VO	NATURAL	1	

PART NO	POS	DIM C	DIM D	DIM A	DIM B	MATERIAL	COLOUR	REV./Rev.	
6-1241961-7	3			15	10	PA 6 UL94V-2	NATURAL	1	
4-1241961-7	3			15	10	PA 6 UL94V-2	NATURAL	A	
3-1241961-7	3	4	0.5	15	10	PA 6 UL94V-2	NATURAL	A	
1-1955422-7	3			15	10	PA 66 UNFILLED UL94 VO	NATURAL	A	
5-1955422-7	3			15	10	PA 66 UNFILLED UL94 VO	NATURAL	A	
4-1955422-3	2	6	1	10	5	PA 66 UNFILLED UL94 VO	NATURAL	A	
2-1241817-3	3	4 or 6	0.5 or 1	15	10	PA 66 UL94 V-2	Green	E	
0-1955422-6	3			15	10	PA 66 UNFILLED UL94 VO	NATURAL	A	
8-1241961-8	3			15	10			C	
0-1241961-8	3			15	10	PA 6 UL94V-2	natural	A	
8-1241961-3	2	4	0.5	10	5			C	
3-1241961-1	2			10	5	PA 6 UL94V-2	NATURAL	C	
0-1955422-1	2			10	5	PA 66 UNFILLED UL94 VO	NATURAL	A	

REVISIONS									
LOC	DIST	P	LTR	DESCRIPTION	DATE	DRW	APVD		
SEE SHEET-01									
0-1241959-5	5			25	20			B	
4-1241959-4	4	4	0.5	20	15	PA 6 UL94V-2	13	Natural/natur	A
2-1241959-4	4			20	15			B	
0-1241959-4	4			20	15				
2-1241817-5	5	6	1	25	20	PA 6.6 UL94V-2		Natural/natur	C
0-1241817-5	4	0.5		25	20			Black/schwarz	
3-1241817-4	4			20	15			Violet/violett	
2-1241817-4	4	6	1	20	15			Grey/grau	
0-1241817-4	4	0.5		20	15			Natural/natur	
2-1241983-2				10	5			Green/grün	C
1-1241983-2				10	5			Violet/violett	
0-1241983-2	2	4	0.5	10	5	PA 6 UL94V-2	13	TARGET RAL 4001	
8-1241983-2				10	5			Yellow/gelb	
5-1241983-3				10	5			Black/schwarz	
6-1241983-2				10	5			Blue/blau	
				10	5			Red/rot	
9-1241961-7		4	0.5	15	10				C
9-1241961-8		4	0.5	15	10				
6-1241961-8		4	0.5	15	10				
5-1241961-8		4 or 6	0.5 or 1	15	10				
4-1241961-8		4	0.5	15	10				
7-1241961-8		4	0.5	15	10				
1-1241961-8		4 or 6	0.5 or 1	15	10				
3-1241961-8		6	1	15	10				
2-1241961-8				15	10				
2-1241961-7				15	10				
1-1241961-7		4	0.5	15	10				
9-1241961-9				15	10				
0-1241961-6				15	10				
3-1241961-3				10	5				
2-1241961-2				10	5				
5-1241961-2				10	5				
4-1241961-3				10	5				
7-1241961-2				10	5				
7-1241961-3				10	5				
6-1241961-3				10	5				
3-1241961-2		2	4	0.5	10				
5-1241961-3				10	5				
6-1241961-2				10	5				
0-1241961-3				10	5				
8-1241961-2				10	5				
9-1241961-2				10	5				
0-1241961-1				10	5				
9-969484-9	3	6	1	15	10	PA 6.6 UL94V-2		Yellow/gelb	H
2-969484-8				15	10				
4-969484-8		4 or 6	0.5 or 1	15	10				
0-969484-8				15	10				
9-969484-7				15	10				
8-969484-7		4	0.5	15	10				
7-969484-7				15	10				
6-969484-7				15	10				
5-969484-7		4	0.5	15	10				
4-969484-7				15	10				
3-969484-7		4	0.5	15	10				
2-969484-7		4	0.5	15	10				
1-969484-7		3	4	0.5	15				
0-969484-7				15	10				
9-969484-6				15	10				
8-969484-6		6	1	15	10				
7-969484-6				15	10				
6-969484-6				15	10				
5-969484-6				15	10				
4-969484-6				15	10				
3-969484-6				15	10				
2-969484-6		6	1	15	10				
1-969484-6				15	10				
0-969484-6				15	10				
7-969484-3				10	5				
6-969484-3				10	5				
5-969484-3		4	0.5	10	5				
4-969484-3				10	5				
3-969484-3				10	5				
2-969484-3				10	5				
1-969484-3				10	5				
0-969484-3				10	5				
9-969484-2				10	5				
8-969484-2				10	5				
7-969484-2				10	5				
6-969484-2		4	0.5	10	5				
5-969484-2				10	5				
4-969484-2				10	5				
3-969484-2				10	5				
2-969484-2				10	5				
1-969484-2				10	5				
0-969484-2				10	5				
9-969484-1				10	5				
8-969484-1				10	5				
7-969484-1				10	5				
6-969484-1		6	1	10	5				
5-969484-1				10	5				
4-969484-1		6	1	10	5				
3-969484-1				10	5				
2-969484-1		4	0.5	10	5				
1-969484-1				10	5				
0-969484-1				10	5				

THIS DRAWING IS A CONTROLLED DOCUMENT. DWG: Kishor M 18-10-07  
CHK: K. Muriz 18-10-07  
APVD: T.K. Klenner 18-10-07

DIMENSIONS: mm  
TOLERANCES UNLESS OTHERWISE SPECIFIED:  
0 PLC ±0.2  
1 PLC ±0.2  
2 PLC ±0.2  
3 PLC ±0.2  
4 PLC ±0.2  
ANGLES ±0.5

MATERIAL: SEE TABLE  
FINISH: -

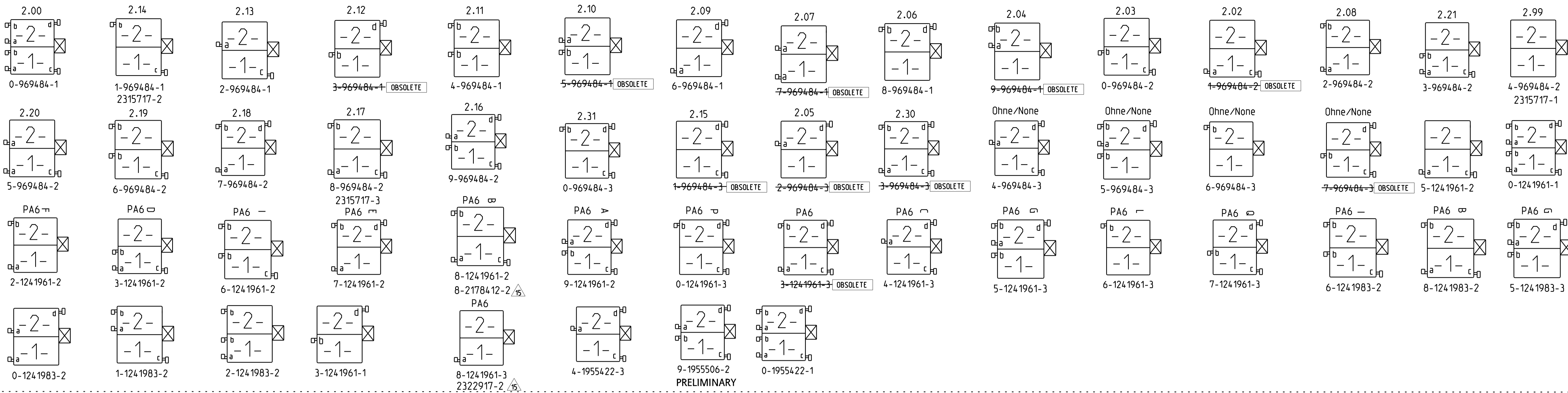
WEIGHT: -  
Customer Drawing

STANDARD TIMER HSG. RAST 5 MARK II  
Standard Timer Gehäuse RAST 5 Mark II

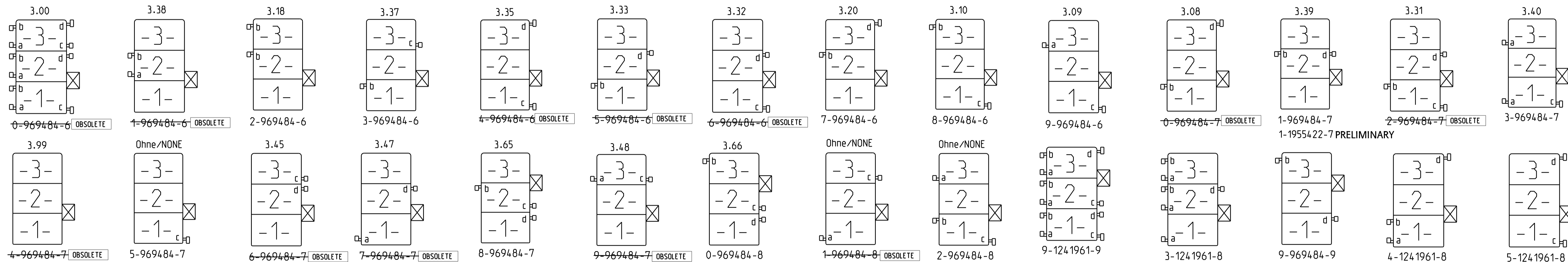
SIZE: A1  
CAGE CODE: 00779  
DRAWING NO: 108-18049  
APPLICATION SPEC: -

RESTRICTED TO: -  
SCALE: 5:1  
SHEET: 2 OF 3  
REV: 4

### 2 POSITION VARIANTS

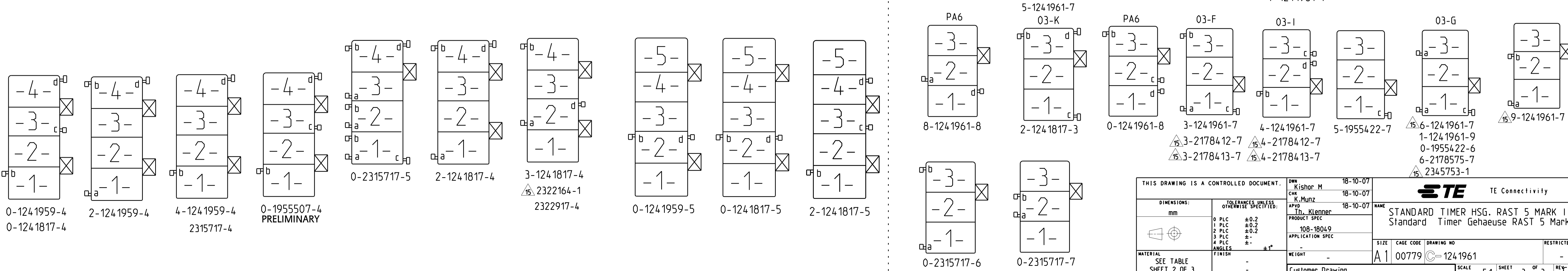


### 3 POSITION VARIANTS



### 4 POSITION VARIANTS

### 5 POSITION VARIANTS



THIS DRAWING IS A CONTROLLED DOCUMENT. DWG: Kishor\_M 18-10-07  
CHK: K.Muniz 18-10-07  
APVD: T.K.Klenner 18-10-07

DIMENSIONS:	TOLERANCES UNLESS OTHERWISE SPECIFIED:
mm	0 PLC ±0.2
	1 PLC ±0.2
	2 PLC ±0.2
	3 PLC ±0.2
	4 PLC ±0.2
	ANGLES ±0.5
	FINISH ±0.1

MATERIAL: SEE TABLE  
SHEET 2 OF 3

NAME: STANDARD TIMER HSG. RAST 5 MARK II  
Standard Timer Gehäuse RAST 5 Mark II

SIZE: A1  
CAGE CODE: 00779  
DRAWING NO: 1241961  
RESTRICTED TO: -

Customer Drawing  
SCALE: 5:1  
SHEET: 3 OF 3  
REV: C 41

# Mouser Electronics

Authorized Distributor

Click to View Pricing, Inventory, Delivery & Lifecycle Information:

[TE Connectivity:](#)

[6-1241961-3](#)