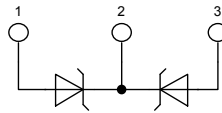


Schottky Diode

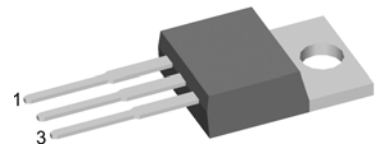
High Performance Schottky Diode
 Low Loss and Soft Recovery
 Common Cathode

Part number

DSSK48-003B



$V_{RRM} = 30\text{ V}$
 $I_{FAV} = 2 \times 25\text{ A}$
 $V_F = 0.35\text{ V}$



Backside: cathode

Features / Advantages:

- Very low V_f
- Extremely low switching losses
- low I_{rm} values
- Improved thermal behaviour
- High reliability circuit operation
- Low voltage peaks for reduced protection circuits
- Low noise switching

Applications:

- Rectifiers in switch mode power supplies (SMPS)
- Free wheeling diode in low voltage converters

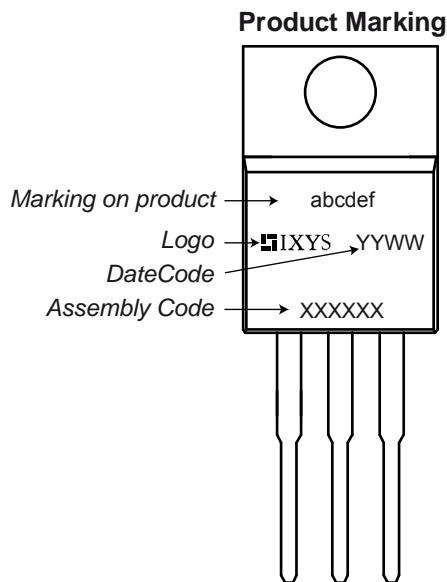
Package:

- Housing: TO-220
- Industry standard outline
- Epoxy meets UL 94V-0
- RoHS compliant

Symbol	Definition	Conditions	Ratings			Unit	
			min.	typ.	max.		
V_{RRM}	max. repetitive reverse voltage				30	V	
I_R	reverse current	$V_R = 30\text{ V}$			20	mA	
		$V_R = 30\text{ V}$			60	mA	
V_F	forward voltage	$I_F = 20\text{ A}$			0.44	V	
		$I_F = 40\text{ A}$			0.54	V	
		$I_F = 20\text{ A}$	$T_{VJ} = 125^\circ\text{C}$			0.35	V
		$I_F = 40\text{ A}$	$T_{VJ} = 125^\circ\text{C}$			0.48	V
I_{FAV}	average forward current	rectangular d = 0.5			25	A	
V_{F0}	threshold voltage				0.19	V	
r_F	slope resistance						6.8
R_{thJC}	thermal resistance junction to case				1.20	K/W	
T_{VJ}	virtual junction temperature		-55		150	°C	
P_{tot}	total power dissipation				105	W	
I_{FSM}	max. forward surge current	t = 10 ms (50 Hz), sine			300	A	
C_j	junction capacitance	$V_R = 5\text{ V}; f = 1\text{ MHz}$		1.77		nF	

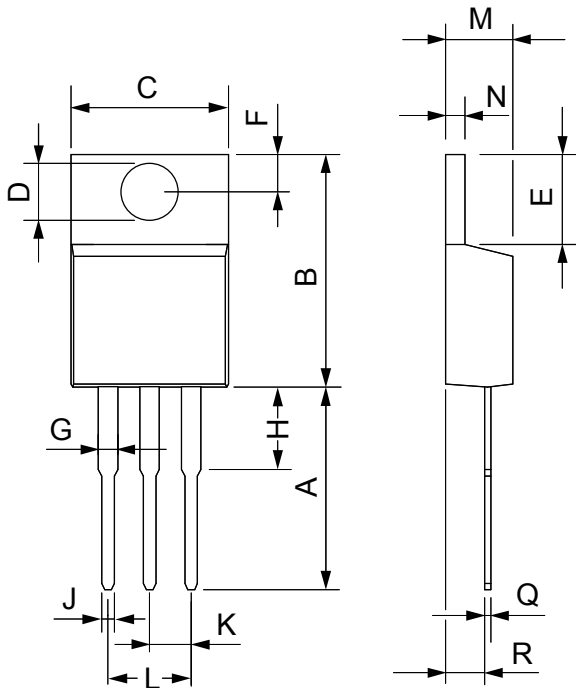
Symbol	Definition	Conditions	Ratings			Unit
			min.	typ.	max.	
I_{RMS}	RMS current	per pin ¹⁾			35	A
R_{thCH}	thermal resistance case to heatsink			0.50		K/W
T_{stg}	storage temperature		-55		150	°C
Weight				2		g
M_D	mounting torque		0.4		0.6	Nm
F_C	mounting force with clip		20		60	N

¹⁾ I_{RMS} is typically limited by: 1. pin-to-chip resistance; or by 2. current capability of the chip.
 In case of 1, a common cathode/anode configuration and a non-isolated backside, the whole current capability can be used by connecting the backside.



Ordering	Part Name	Marking on Product	Delivering Mode	Base Qty	Code Key
Standard	DSSK48-003B	DSSK48-003B	Tube	50	484008

Similar Part	Package	Voltage class
DSSK48-003BS	TO-263AB (D2Pak)	30
DSSK48-0025B	TO-220AB (3)	25

Outlines TO-220


Dim.	Millimeter		Inches	
	Min.	Max.	Min.	Max.
A	12.70	13.97	0.500	0.550
B	14.73	16.00	0.580	0.630
C	9.91	10.66	0.390	0.420
D	3.54	4.08	0.139	0.161
E	5.85	6.85	0.230	0.270
F	2.54	3.18	0.100	0.125
G	1.15	1.65	0.045	0.065
H	2.79	5.84	0.110	0.230
J	0.64	1.01	0.025	0.040
K	2.54	BSC	0.100	BSC
M	4.32	4.82	0.170	0.190
N	1.14	1.39	0.045	0.055
Q	0.35	0.56	0.014	0.022
R	2.29	2.79	0.090	0.110

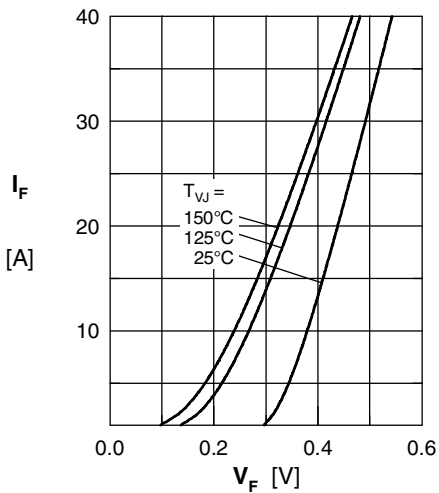


Fig. 1 Maximum forward voltage drop characteristics

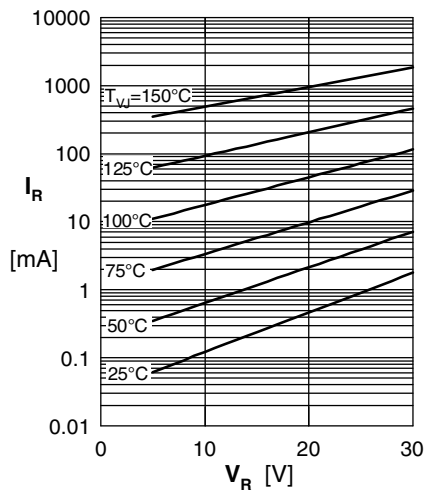


Fig. 2 Typ. reverse current I_R vs. reverse voltage V_R

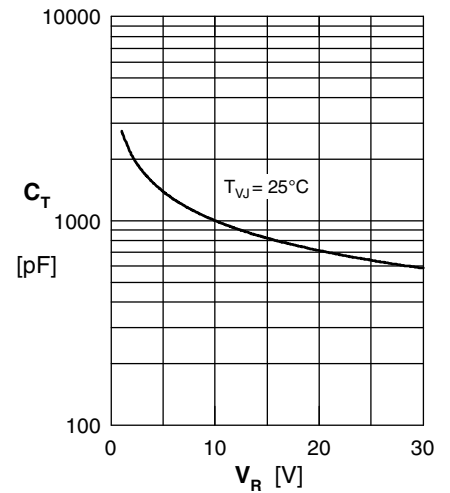


Fig. 3 Typ. junction capacitance C_T vs. reverse voltage V_R

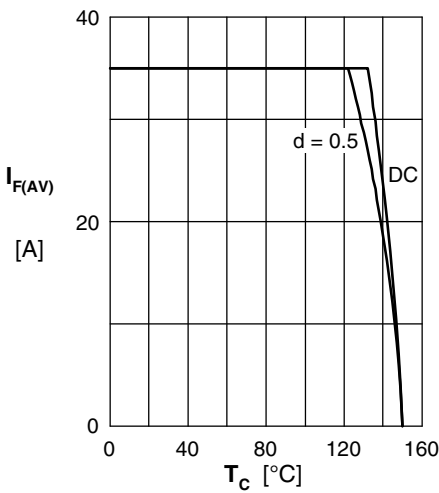


Fig. 4 Average forward current $I_{F(AV)}$ vs. case temperature T_C

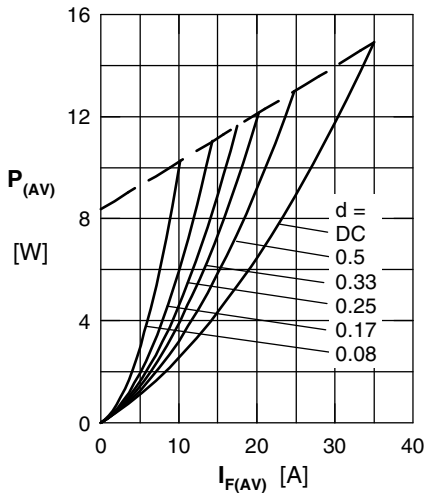


Fig. 5 Forward power loss characteristics

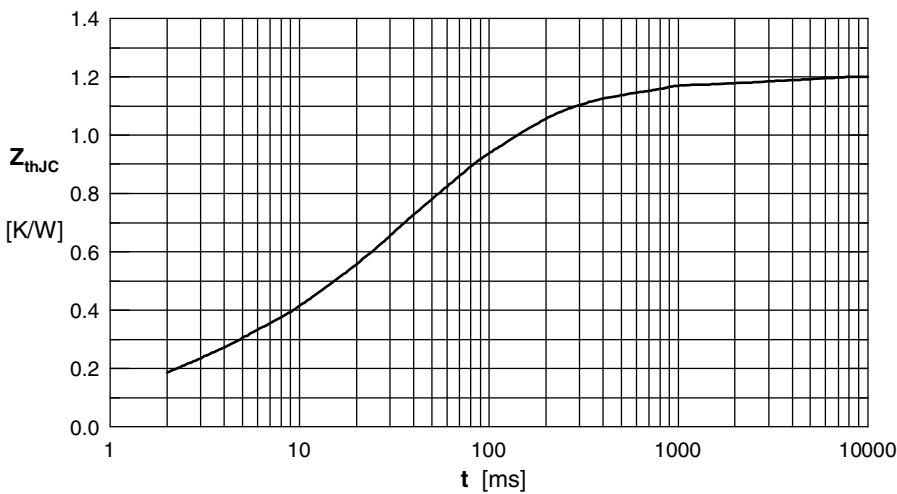


Fig. 6 Transient thermal impedance junction to case at various duty cycles

Note: All curves are per diode

Mouser Electronics

Authorized Distributor

Click to View Pricing, Inventory, Delivery & Lifecycle Information:

[IXYS:](#)

[DSSK48-003B](#)