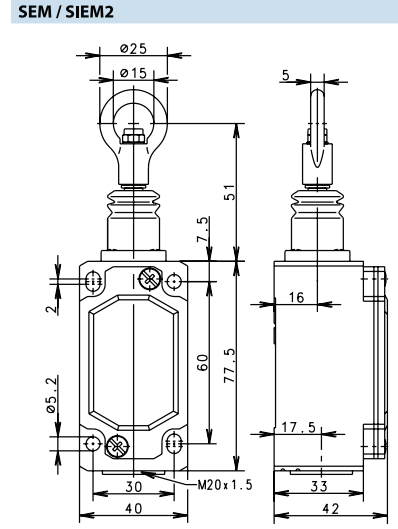
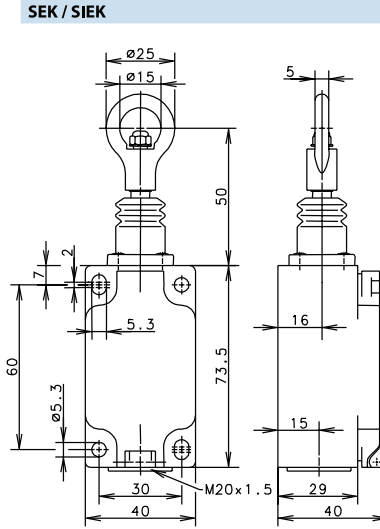


SEK, SIEK, SEM2 and SIEM2 Series



Pull Cable to change contact state, release cable to reset



Variant 1	Article No. Designation Max. span Type	601.1811.133 SEK-U1Z 19.6 Ft. (6 Meters) Plastic Body without Tension Monitor		601.2811.029 SEM2-U1Z 19.6 Ft. (6 Meters) Metal Body without Tension Monitor	
Variant 2	Article No. Designation Max. span Type	601.1831.134 SIEK-UV1Z 13 Ft. (4 Meters) Plastic Body with Tension Monitor		601.2831.022 SIEM2-UV1Z 19.6 Ft. (6 Meters) Metal Body with Tension Monitor	
Variant 3	Article No. Designation Max. span Type				

Technical Information

Maximum Switching Voltage	240V	240V
Maximum Switching Amperage	10A	16A
B10d	On Request	On Request
Mechanical Service Life	1 x 10 ⁶	1 x 10 ⁶
Switching Frequency	≤ 50/min	≤ 20/min
Operating Temperature	-30 °C to +80 °C	-30 °C to +80 °C
Protection Rating	IP65	IP65
Utilization Category	AC-15, U _e /I _e 240 V / 3 A	AC-15, U _e /I _e 240 V / 3 A
Rate Insulation Voltage	400VAC	400VAC
Approvals		

Mouser Electronics

Authorized Distributor

Click to View Pricing, Inventory, Delivery & Lifecycle Information:

[Altech:](#)

[601.1831.134](#) [601.2831.022](#) [601.1811.133](#) [601.2811.029](#)