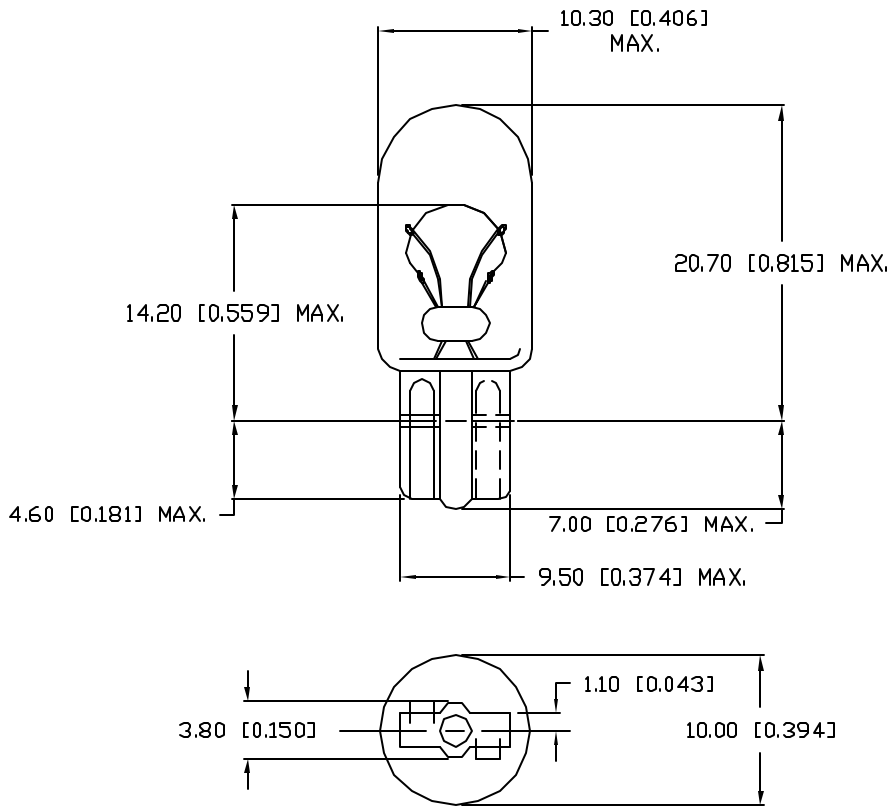


UNCONTROLLED DOCUMENT



ENVIRONMENTAL SPECIFICATIONS

VIBRATION TESTING:	MIL-E-5400N, GRAPH IV
SHOCK TEST :	MIL-STD-883 METHOD 2002 TEST CON A
OPERATING TEMPERATURE:	-50 TO +100 °C
STORAGE TEMPERATURE:	-50 TO +125 °C

*UNLESS OTHERWISE SPECIFIED TOLERANCES PER DECIMAL PRECISION ARE: X=±1 (±0.038), XX=±0.5 (±0.020), XXX=±0.25 (±0.010), XXXX=±0.127 (±0.005). LEAD SIZE=±0.05 (0.002), LEAD LENGTH=±0.75 (±0.030). MIN= +DECIMAL PRECISION -0.00 MAX= +0.00 -DECIMAL PRECISION

PART NUMBER		REV.
IFL-LX168X		A
REV.	E.C.N. NUMBER AND REVISION COMMENTS	DATE
A	E.C.N. #11148.	12.27.06

ELECTRO-OPTICAL SPECIFICATIONS

OPERATING VOLTAGE VAC OR VDC	12-16
DESIGN VOLTAGE VDC OR VAC:	14
CURRENT DRAW @ DESIGN VOLTS:	350 mA
M.S.C.P. @ DESIGN VOLTS:	3.0 M.S.C.P.
AVERAGE LIFE @ DESIGN VOLTS:	1500 HRS
FAILURE DENSITY SHAPE:	3.5 BETA (± 1.0)

MECHANICAL SPECIFICATIONS

BULB SIZE AND SHAPE:	T-10 TUBULAR
BULB GLASS TYPE	KG12 SEMI SOFT
BASE OR LEAD FINISH:	WEDGE
FILAMENT SHAPE:	C-2F
L.C.L IF APPLICABLE:	14.2 TYP.
MANUFACTURING PSS:	IFL/T-10WB



UNCONTROLLED DOCUMENT

REV.	PART NUMBER
A	IFL-LX168X
T-3 1/4 (T10 x 27mm) ALLGLASS WEDGE BASE LAMP AUTO OEM QUALITY.	

CONFIDENTIAL INFORMATION
 THE INFORMATION CONTAINED IN THIS DOCUMENT IS THE PROPERTY OF LUMEX INC. EXCEPT AS SPECIFICALLY AUTHORIZED IN WRITING BY LUMEX INC, THE HOLDER OF THIS DOCUMENT SHALL KEEP ALL INFORMATION CONTAINED HEREIN CONFIDENTIAL AND SHALL PROTECT SAME IN WHOLE OR IN PART FROM DISCLOSURE AND DISSEMINATION TO ALL THIRD PARTIES.

RELIABILITY NOTE
 OUR MANY YEARS OF EXPERIENCE DATA ACCUMULATION INDICATE THAT SOLDER HEAT IS A MAJOR CAUSE OF EARLY AND FUTURE FAILURE. PLEASE PAY ATTENTION TO YOUR SOLDERING PROCESS.

		290 E. HELEN ROAD PALATINE, IL 60067-6976 PHONE: +1.847.359.2790 US WEB: www.lumex.com TW WEB: www.lumex.com.tw	
DRAWN BY:	CHECKED BY:	APPROVED BY:	DATE:
jc			12.27.05
		PAGE:	1 OF 1
		SCALE:	N/A

Mouser Electronics

Authorized Distributor

Click to View Pricing, Inventory, Delivery & Lifecycle Information:

[Lumex:](#)

[IFL-LX168](#)