

PLEASE CHECK WWW.MOLEX.COM FOR LATEST PART INFORMATION

Part Number: [0467652001](#)
Status: **Active**
Overview: High Definition Multimedia Interface (HDMI*) Micro Connectors
Description: 0.40mm Pitch Micro HDMI Connector, Right-Angle Receptacle, Surface Mount, Hybrid Type Mount, with Pick-and-Place Polyimide Tape, 19 Circuits, Lead-Free

Documents:

[3D Model](#) [Packaging Specification PK-46765-001 \(PDF\)](#)
[Drawing \(PDF\)](#) [RoHS Certificate of Compliance \(PDF\)](#)
[Product Specification PS-46765-003-001 \(PDF\)](#)

Agency Certification

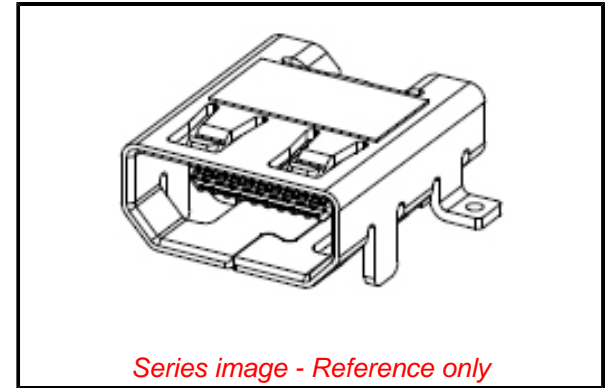
CSA LR19980
 UL E29179

General

Product Family I/O Connectors
 Series [46765](#)
 Application Wire-to-Board
 Comments Hybrid Mount comprise Vertical and Horizontal Type shell tabs, Hybrid Mount comprise Vertical and Horizontal Type shell tabs
 Component Type Receptacle
 Overview [High Definition Multimedia Interface \(HDMI*\) Micro Connectors](#)
 Product Name Micro HDMI
 Type D
 UPC 883906964047

Physical

Boot Color N/A
 Circuits (Loaded) 19
 Circuits (maximum) 19
 Flammability 94V-0
 Gender Female
 Keying to Mating Part Yes
 Lock to Mating Part Yes
 Material - Metal Copper Alloy
 Material - Plating Mating Gold
 Material - Plating Termination Gold
 Material - Resin High Temperature Thermoplastic
 Net Weight 0.312/g
 Number of Rows 2
 Orientation Right Angle
 PCB Retention Yes
 Packaging Type Embossed Tape on Reel
 Panel Mount No
 Pitch - Mating Interface 0.40mm
 Pitch - Termination Interface 0.40mm
 Plating min - Mating 0.762µm
 Plating min - Termination 0.051µm
 Polarized to Mating Part Yes
 Polarized to PCB Yes
 Ports 1
 Termination Interface: Style Surface Mount
 Waterproof / Dustproof No



Series image - Reference only

EU ELV

Not Relevant

EU RoHS

Compliant

REACH SVHC

Not Contained Per - ED/71/2019 (16 July 2019)

Halogen-Free

Status

Low-Halogen

For more information, please visit [Contact US](#)

China ROHS

ELV

RoHS Phthalates

China RoHS

Green Image

Not Relevant

Not Contained

Search Parts in this Series

[46765 Series](#)

Mates With

[68786 Micro HDMI Cable Assemblies](#)

Electrical

Current - Maximum per Contact	0.8A
Grounding to Panel	Yes
Shield Type	Full Shield
Shielded	Yes
Voltage - Maximum	30V

Solder Process Data

Duration at Max. Process Temperature (seconds)	010
Lead-freeProcess Capability	REFLOW
Max. Cycles at Max. Process Temperature	002
Process Temperature max. C	260

Material Info**Reference - Drawing Numbers**

Electrical Model Document	EE-46765-001
Packaging Specification	PK-46765-001
Product Specification	PS-46765-003-001
Sales Drawing	SD-46765-001

This document was generated on 09/19/2019

PLEASE CHECK WWW.MOLEX.COM FOR LATEST PART INFORMATION

Mouser Electronics

Authorized Distributor

Click to View Pricing, Inventory, Delivery & Lifecycle Information:

[Molex:](#)

[46765-2001](#)