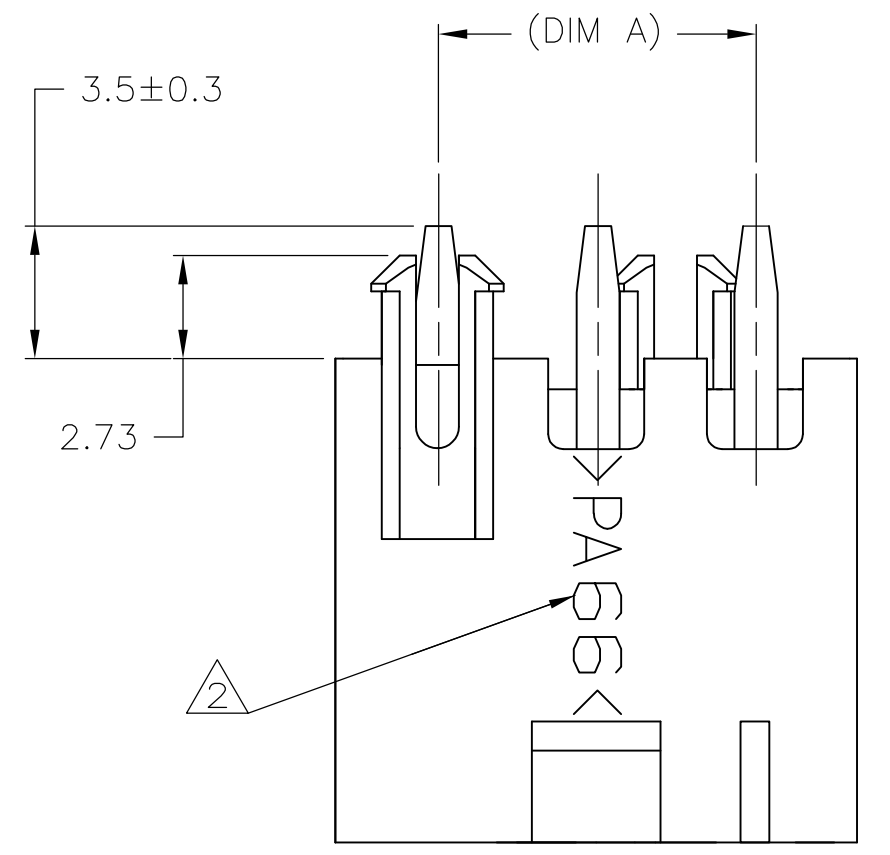
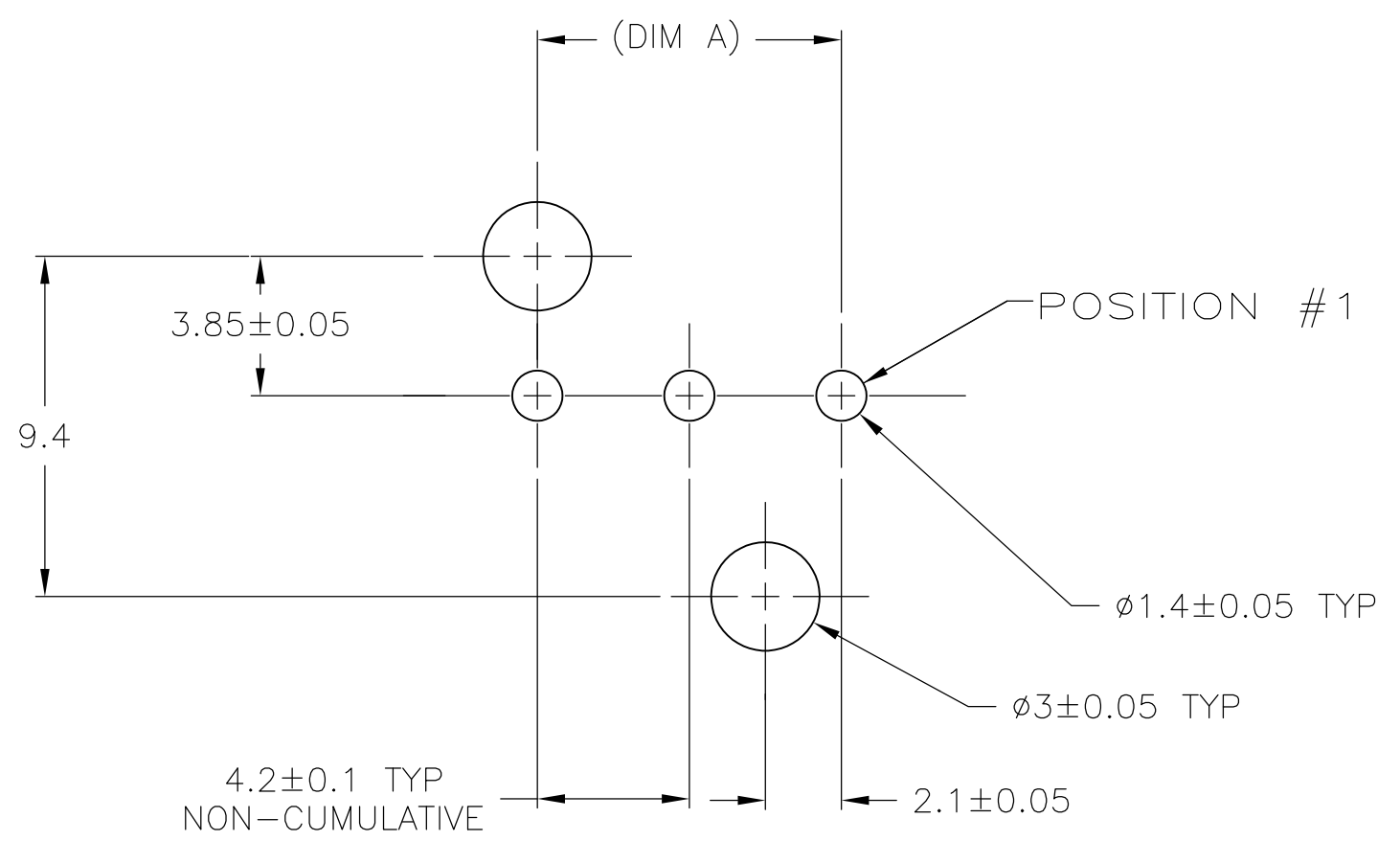
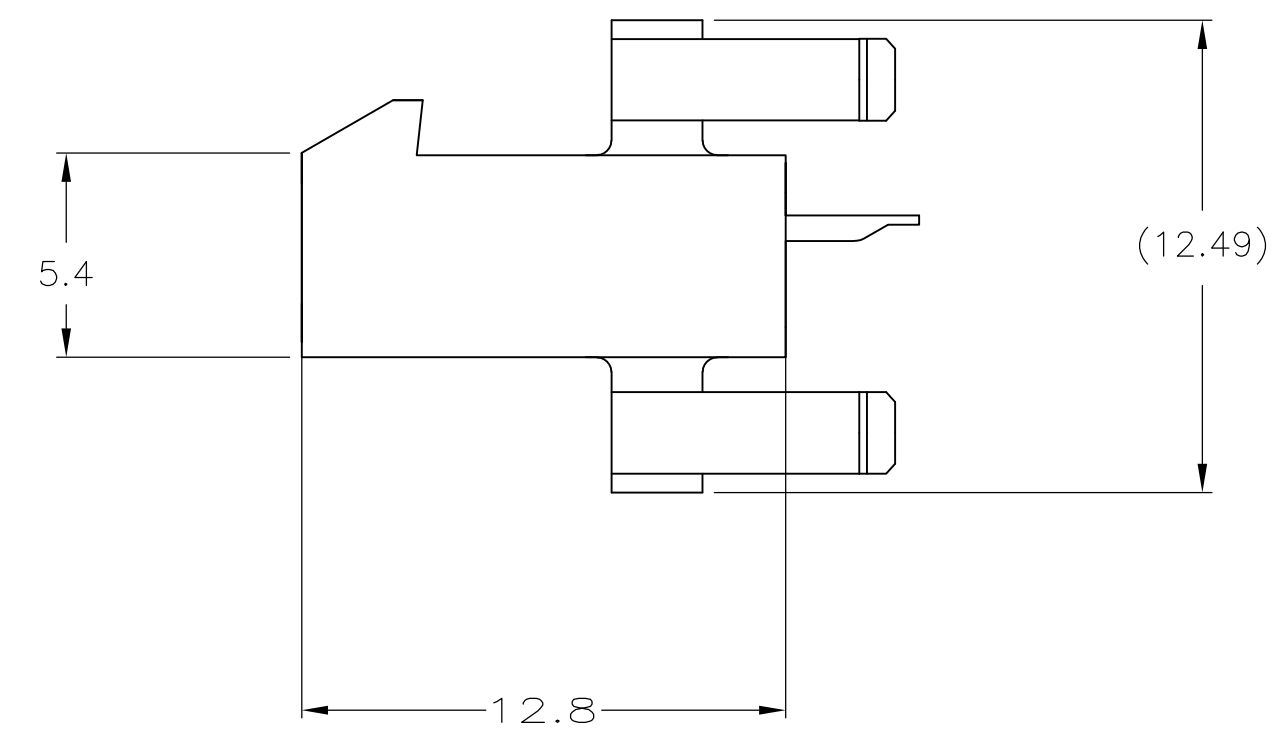
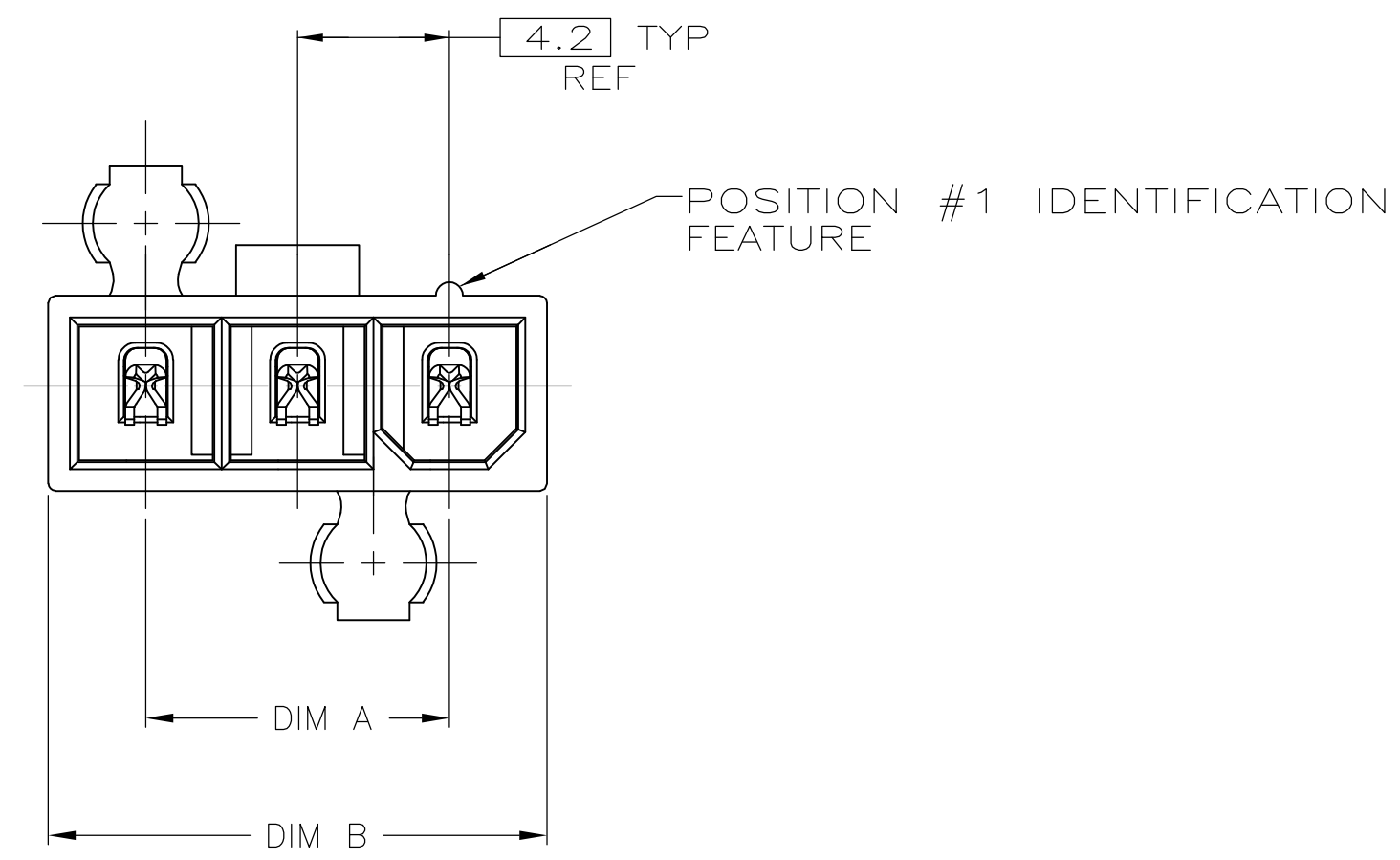


LOC		DIST		REVISIONS			
CM	00	REV	DESCRIPTION	DATE	BY	APPV	
		A1	REVISED PER ECR-11-017436	29AUG11	HMR	SM	
		A2	REVISED PER ECR-14-018446	10DEC14	A.Z	D.Z	

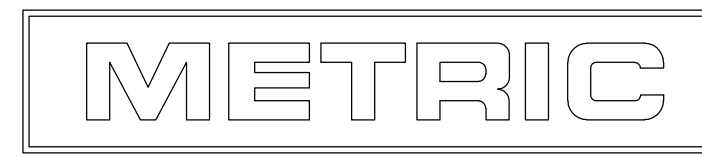


- 1 MATERIAL: HOUSING-NYLON, UL94V-2 (COLOR-NATURAL, COLOR OF PARTS MAY VARY) CONTACTS-0.25 [.010] THICK BRASS ALLOY.
- 2 TYCO ELECTRONICS LOGO AND MATERIAL ID MAY BE LOCATED ON EITHER LONG SIDE OF PART.
- 3 CONTACT FINISH: 0.002032 [.000080] MIN MATTE TIN OVER 0.000381 [.000015] MIN NICKEL OVER ENTIRE CONTACT.
- 4 MATES WITH VAL-U-LOK(TM) RECEPTACLE HOUSINGS.
- 5 PRELIMINARY-NOT FOR PRODUCTION.



RECOMMENDED MOUNTING HOLE PATTERN FOR 1.78 MAX THICK P.C. BOARD COMPONENT SIDE SHOWN

POST NO.(S) OMITTED	DIM B	DIM A	NO. OF POSITIONS	PART NO
2,3	18	12.6	4	2-2029054-4
NONE	22.2	16.8	5	2029054-5
NONE	18	12.6	4	2029054-4
NONE	13.8	8.4	3	2029054-3



THIS DRAWING IS A CONTROLLED DOCUMENT.

DIMENSIONS: mm	TOLERANCES UNLESS OTHERWISE SPECIFIED:	DIN K. WHITAKER 11JAN2008	TE Connectivity
0 PLC ± -	1 PLC ± 0.2	CHK C. CASH 11JAN2008	NAME
2 PLC ± 0.13	3 PLC ± -	APVD C. CASH 11JAN2008	PLUG ASSEMBLY, VERTICAL, SINGLE ROW, 94V-2, W/ DRAIN HOLES, VAL-U-LOK(TM)
4 PLC ± -	ANGLES ± 0°30'	PRODUCT SPEC	SIZE
MATERIAL	FINISH	APPLICATION SPEC	WEIGHT
		RESTRICTED TO	A1 00779 C=2029054
		CUSTOMER DRAWING	SCALE N/A SHEET 1 OF 1 REV A2

Mouser Electronics

Authorized Distributor

Click to View Pricing, Inventory, Delivery & Lifecycle Information:

[TE Connectivity:](#)

[2029054-4](#)