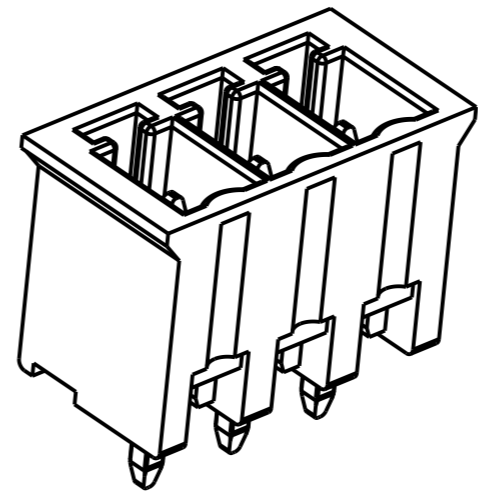
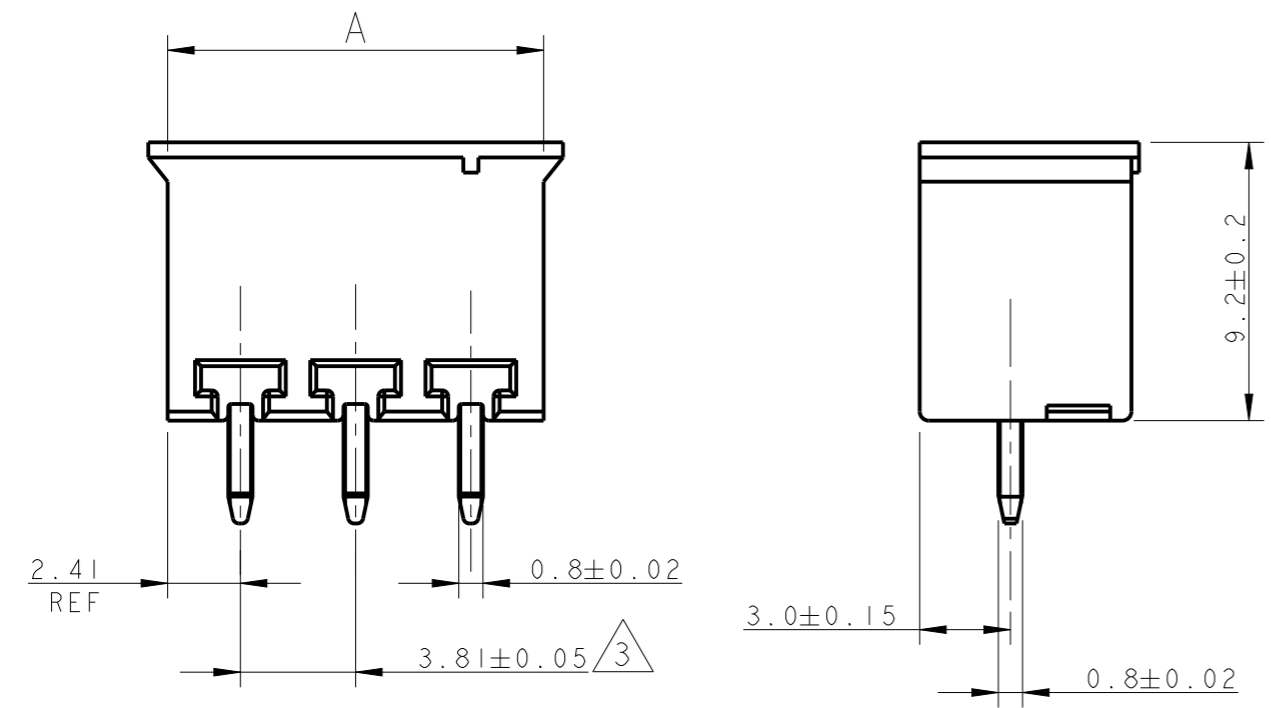


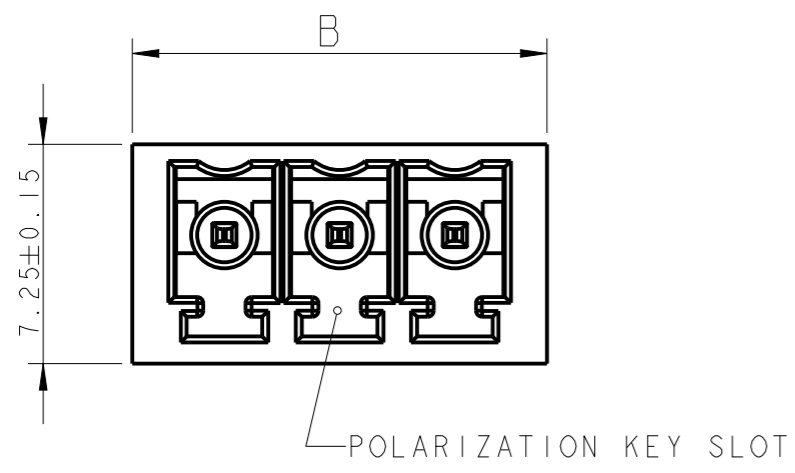
THIS DRAWING IS UNPUBLISHED. RELEASED FOR PUBLICATION 20
 © COPYRIGHT 20 BY - ALL RIGHTS RESERVED.

REVISIONS					
P	LTR	DESCRIPTION	DATE	DWN	APVD
	C2	REVISED PER ECO-14-015436	13OCT2014	NK	MM



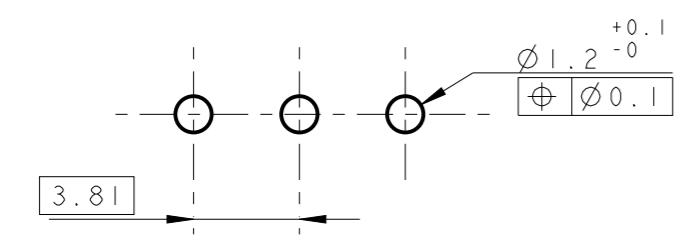
284517-3 AS SHOWN

5	4	B	A	NO OF POS	PART NUMBER
17.53	16.25	4		2	284517-2
19.91	18.63	3		3	284517-3
21.34	20.06	5		5	284517-5
25.15	23.87	6		6	284517-6
28.96	27.68	7		7	284517-7
32.77	31.49	8		8	284517-8
36.58	35.30	9		9	284517-9
40.39	39.11	10		10	284517-0
44.20	42.92	11		11	284517-1
48.01	46.73	12		12	284517-2
51.82	50.54	13		13	284517-3
55.63	54.35	14		14	284517-4
59.44	58.16	15		15	284517-5
63.25	61.97	16		16	284517-6
67.06	65.78	17		17	284517-7
70.87	69.59	18		18	284517-8
74.68	73.40	19		19	284517-9
78.49	77.21	20		20	284517-0
82.30	81.02	21		21	284517-1
86.11	84.83	22		22	284517-2
89.92	88.64	23		23	284517-3
93.73	92.45	24		24	284517-4
97.54	96.26	25		25	284517-5
17.53	16.25	4		2	2-284517-6



POLARIZATION KEY SLOT

- 1 MATERIALS AND FINISH
HOUSING : PA 6.6, UL 94-V0, COLOR GREEN
TERMINAL : PHOSPHOR BRONZE, TIN PLATED
- 2 SUITABLE FOR 1.6-2.4 mm. PC BOARD THICKNESS
- 3 NOT CUMULATIVE TOLERANCE
- 4 HOUSING: PA 6.6, UL 94-V0, COLOR:RED
- 5 PRELIMINARY - NOT RELEASED FOR PRODUCTION



RECOMMENDED PC BOARD LAYOUT

THIS DRAWING IS A CONTROLLED DOCUMENT.		DWN E. ZANOLINI 06FEB2002	TE Connectivity	
DIMENSIONS: mm		CHK E. ZANOLINI 06FEB2002		
TOLERANCES UNLESS OTHERWISE SPECIFIED:		APVD D. BIEVENOUR 06FEB2002	NAME TERMINAL BLOCK, HEADER ASSEMBLY STRAIGHT, CLOSED ENDS 3.81mm PITCH	
0 PLC ±- 1 PLC ±0.30 2 PLC ±0.25 3 PLC ±- 4 PLC ±- ANGLES ±2°		PRODUCT SPEC 108-20166	SIZE A300779	CAGE CODE C-284517
MATERIAL		APPLICATION SPEC 114-20079	DRAWING NO	RESTRICTED TO
FINISH		WEIGHT -	SCALE 4:1	
CUSTOMER DRAWING		SHEET 1 OF 1		REV C2

Mouser Electronics

Authorized Distributor

Click to View Pricing, Inventory, Delivery & Lifecycle Information:

[TE Connectivity:](#)

[284517-4](#)