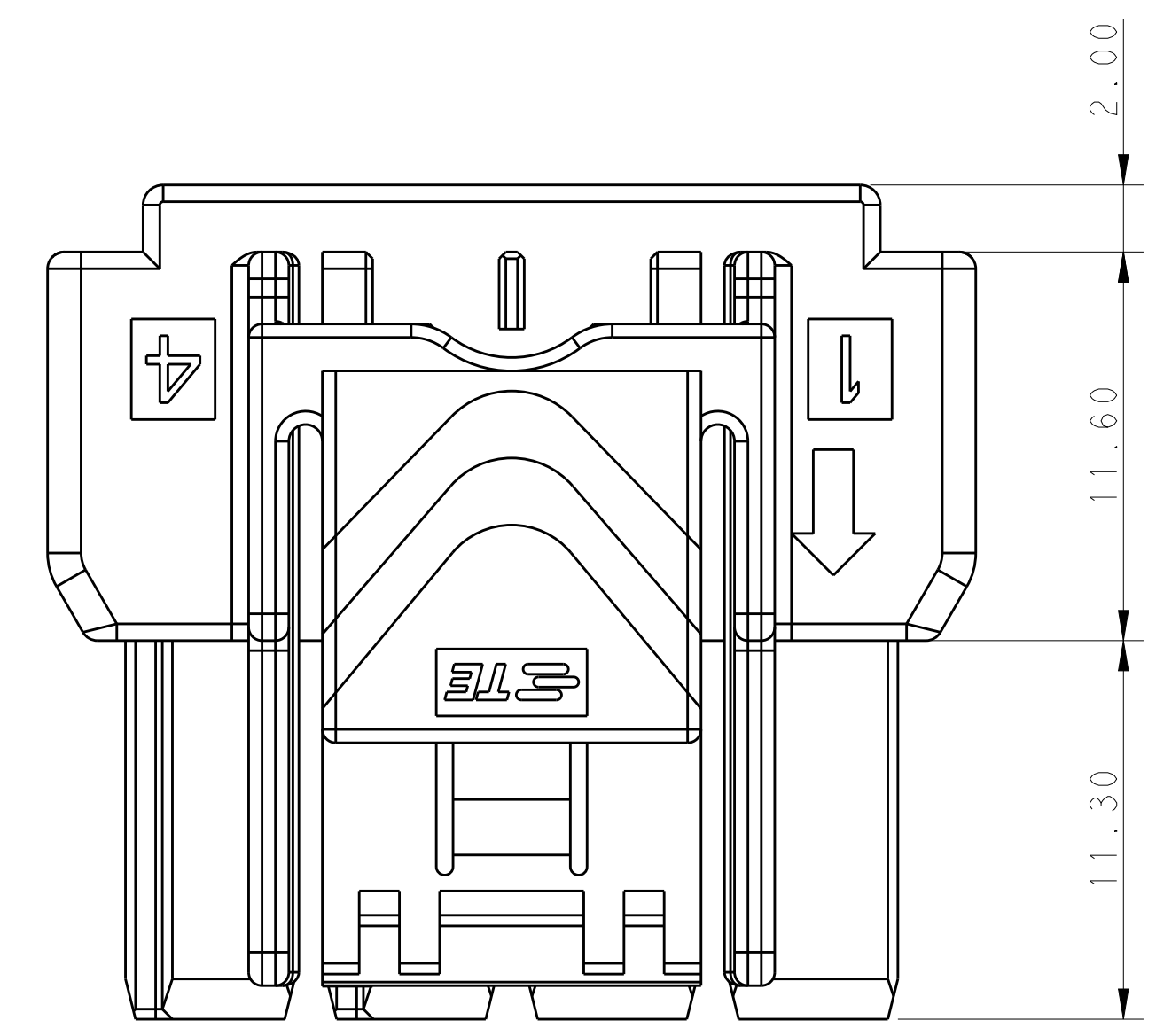
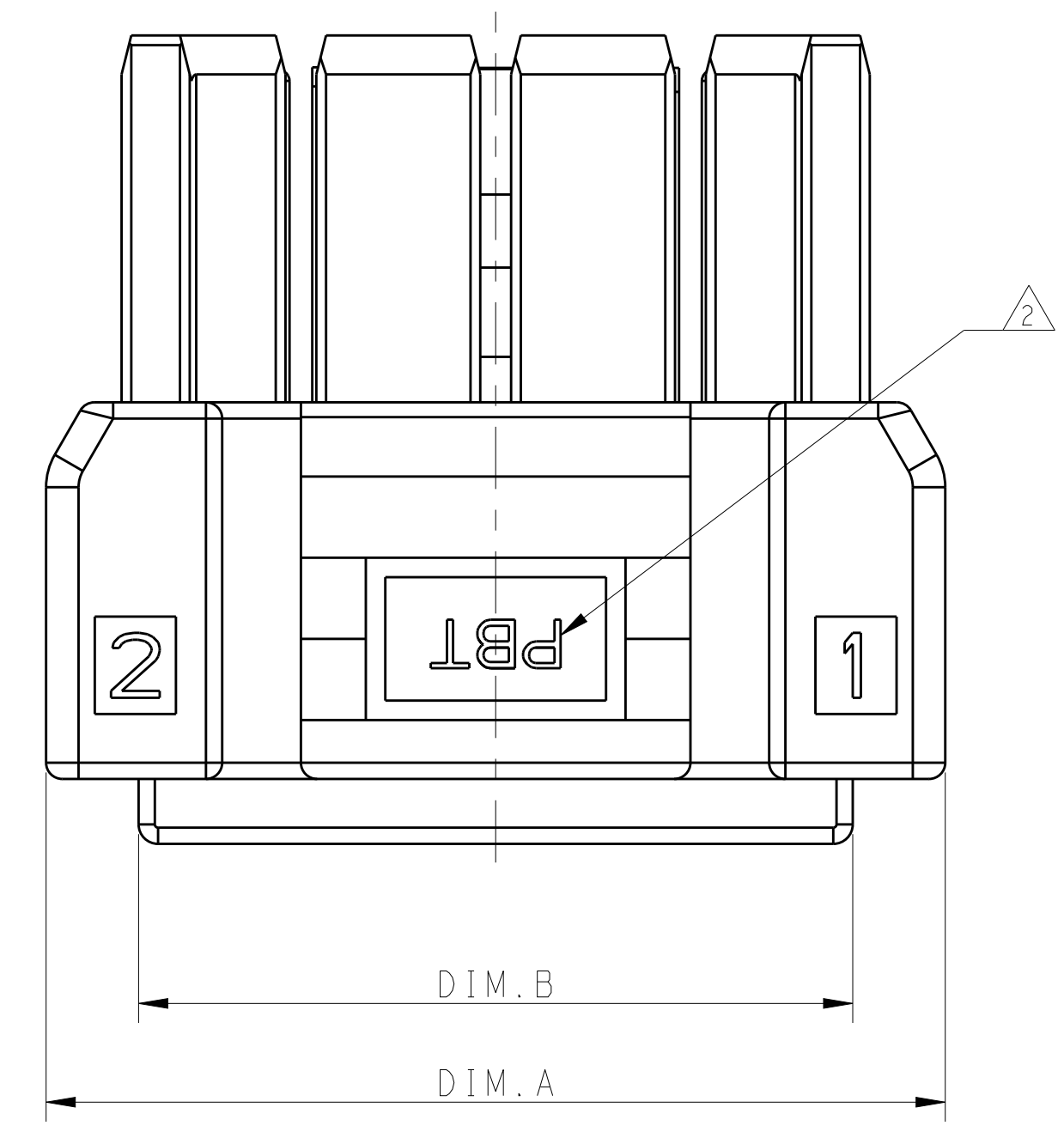
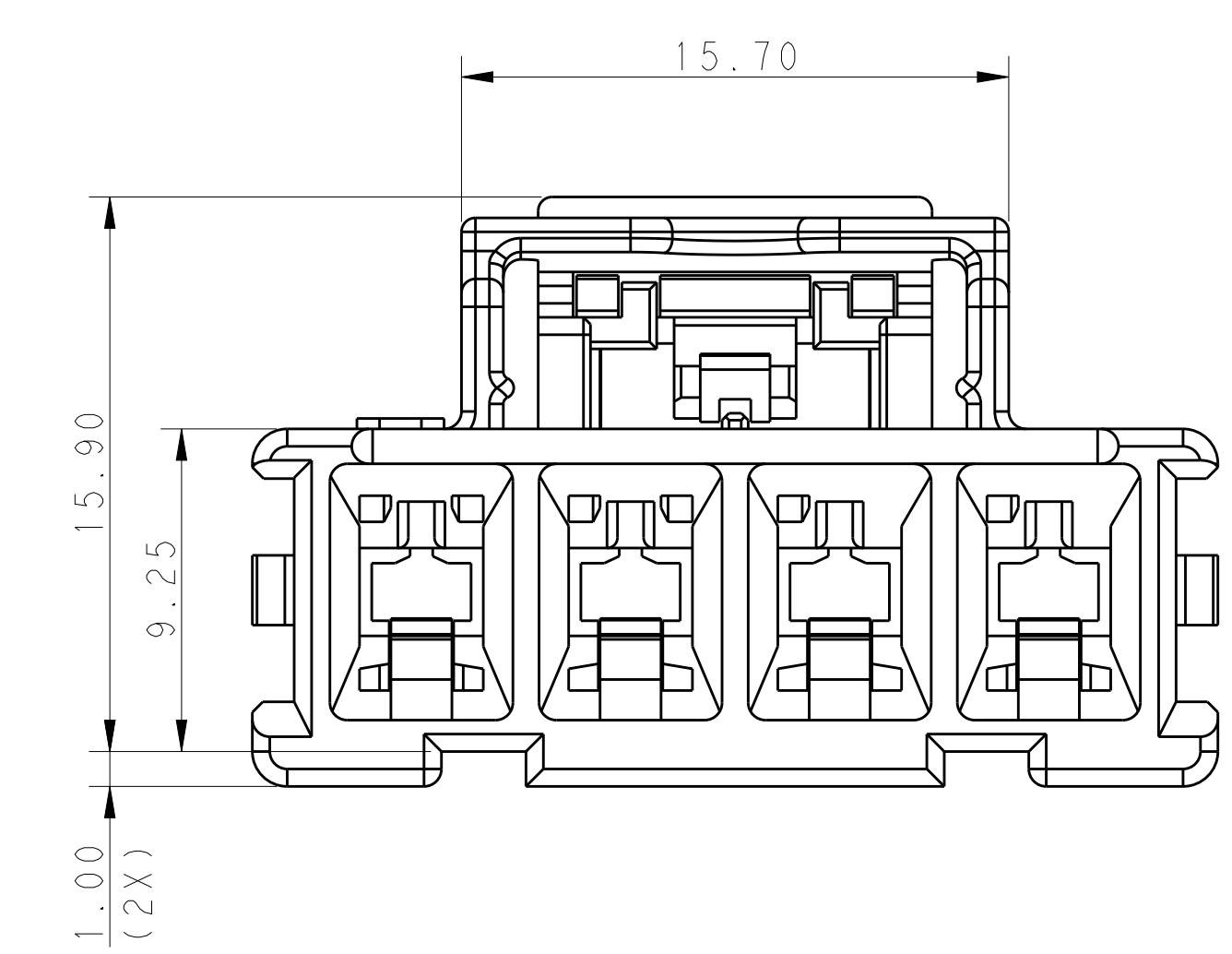
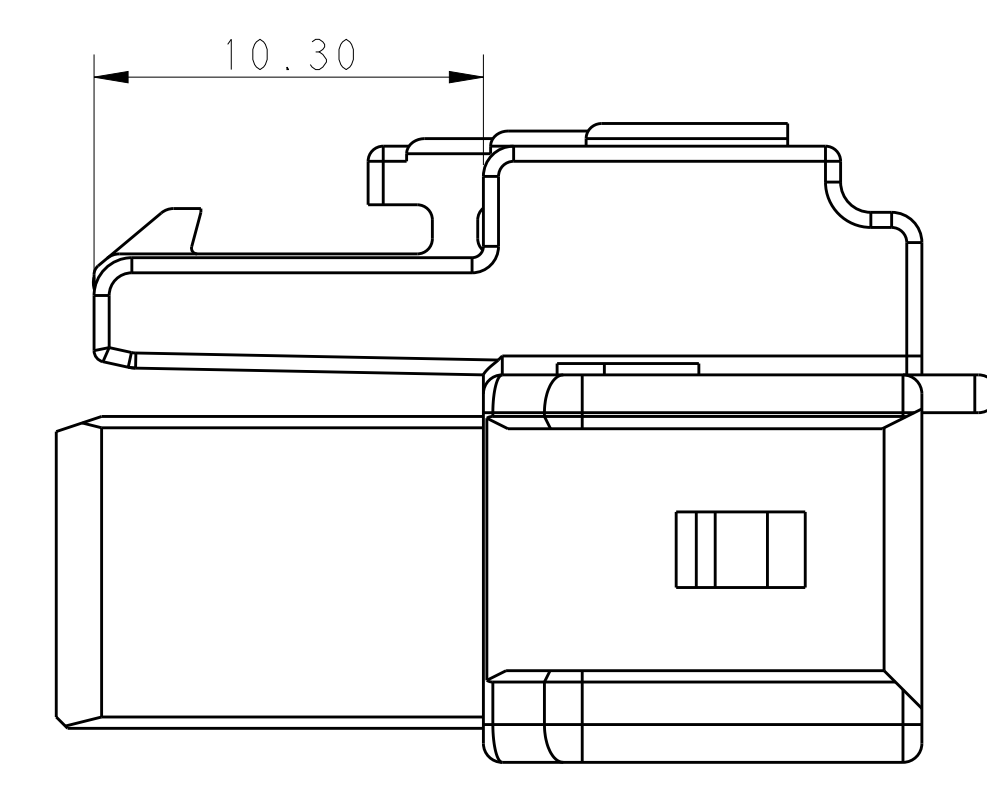
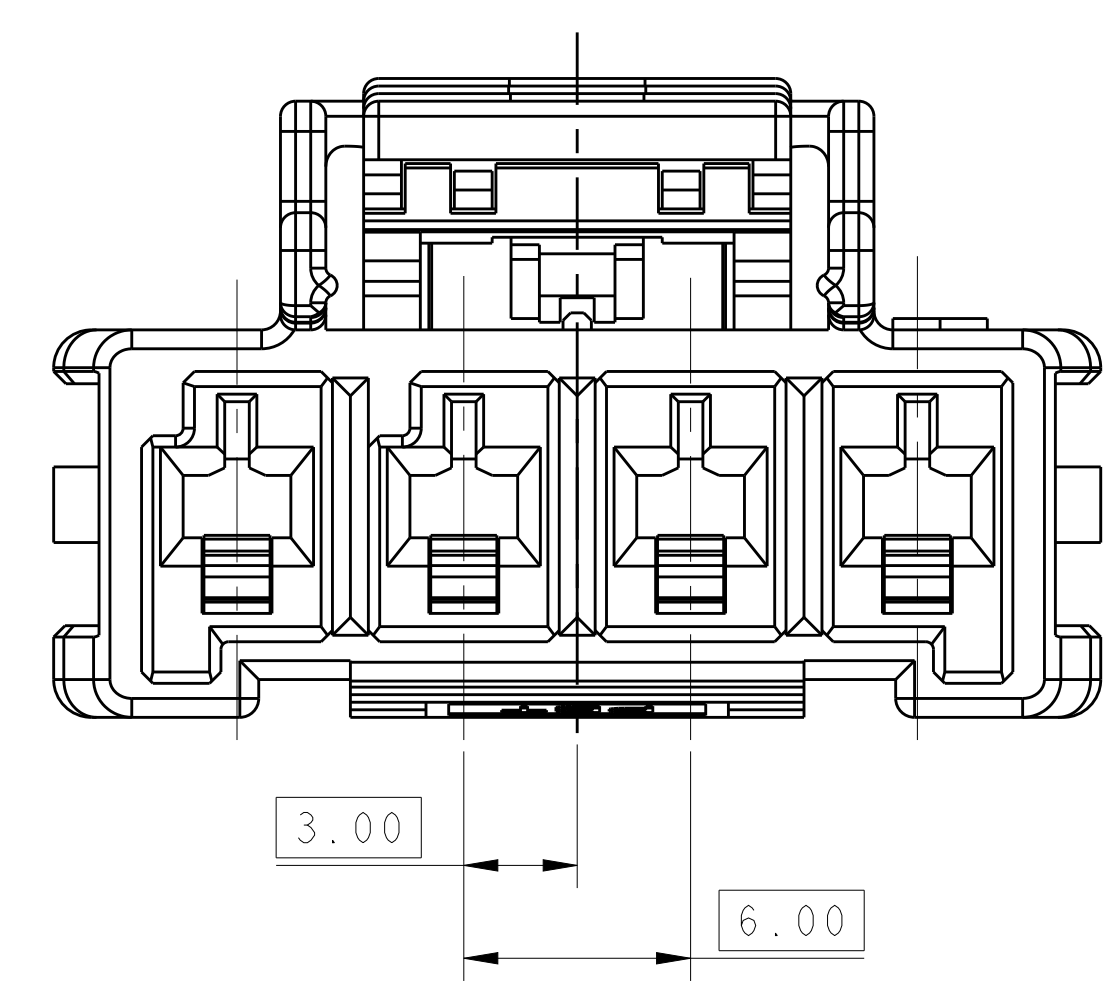


| LOC |     | DIST                      |         | REVISIONS |      |  |  |
|-----|-----|---------------------------|---------|-----------|------|--|--|
| P   | LTN | DESCRIPTION               | DATE    | DWN       | APVD |  |  |
| D   |     | REVISED PER ECO-16-009784 | 30JUN16 | RS        | GJ   |  |  |



| POS. | DIM. A | DIM. B |
|------|--------|--------|
| 1*5  | 33.70  | 28.00  |
| 1*4  | 27.70  | 22.00  |
| 1*3  | 21.70  | 16.00  |
| 1*2  | 15.70  | 10.00  |

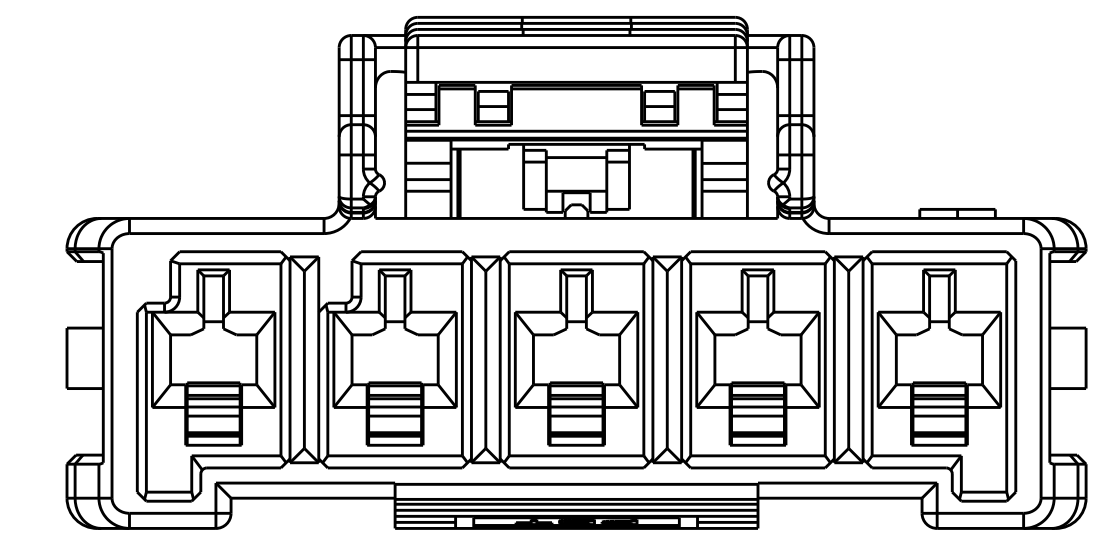
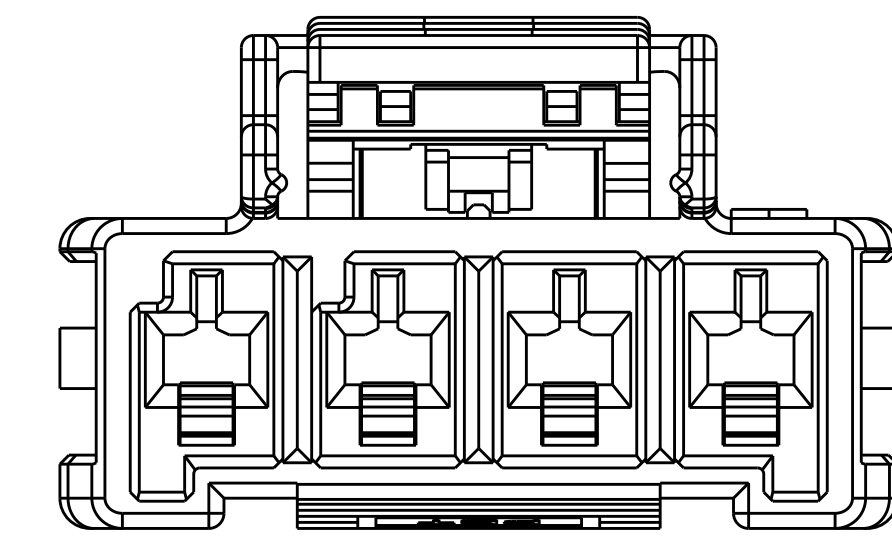
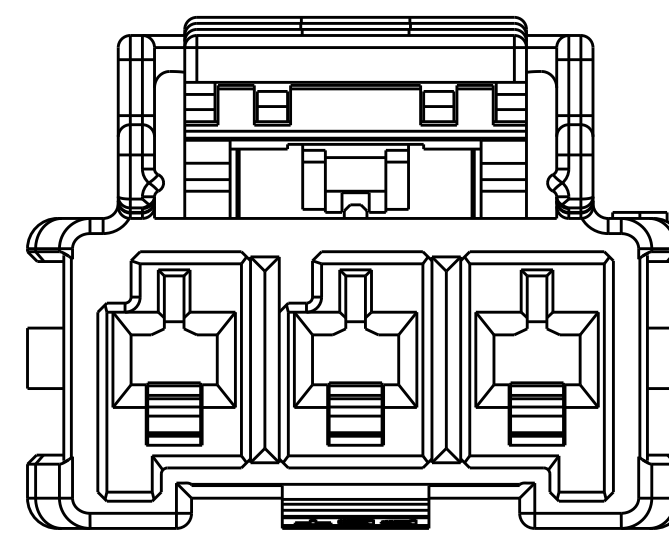
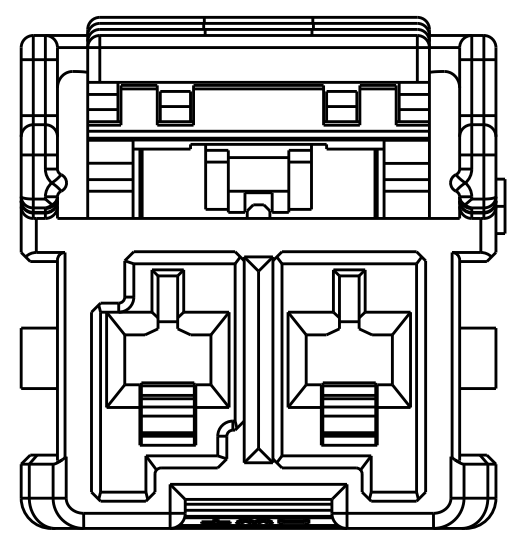
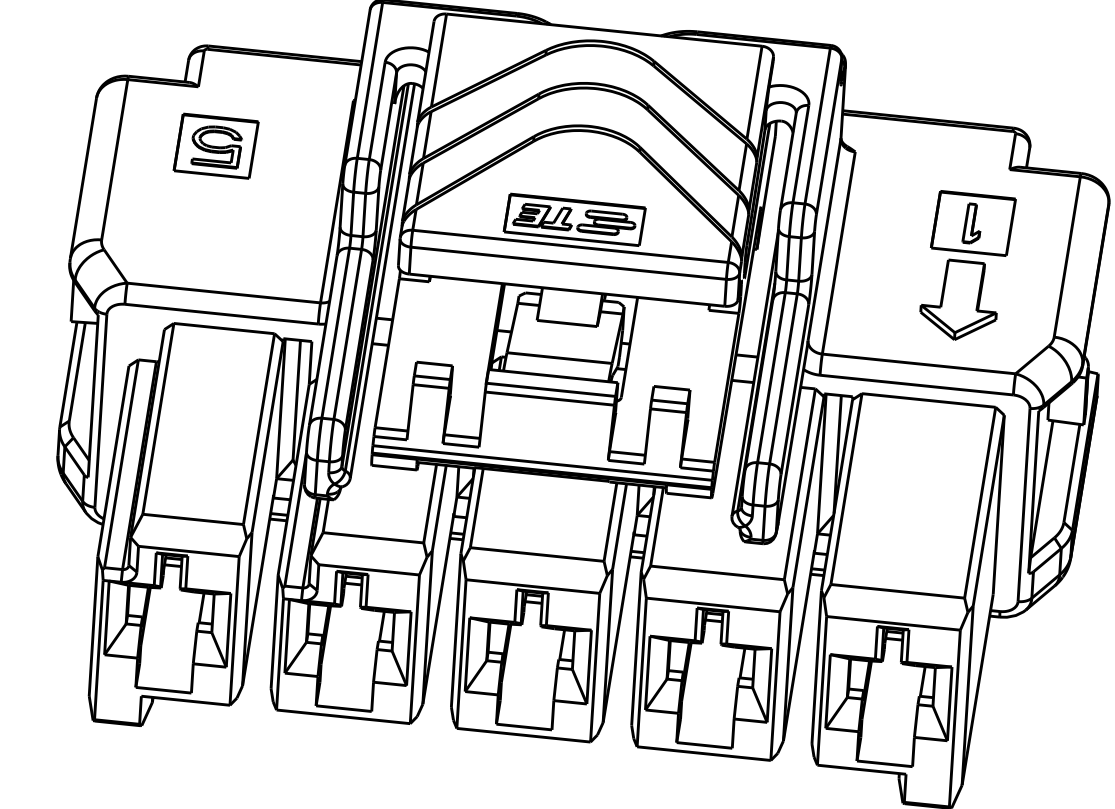
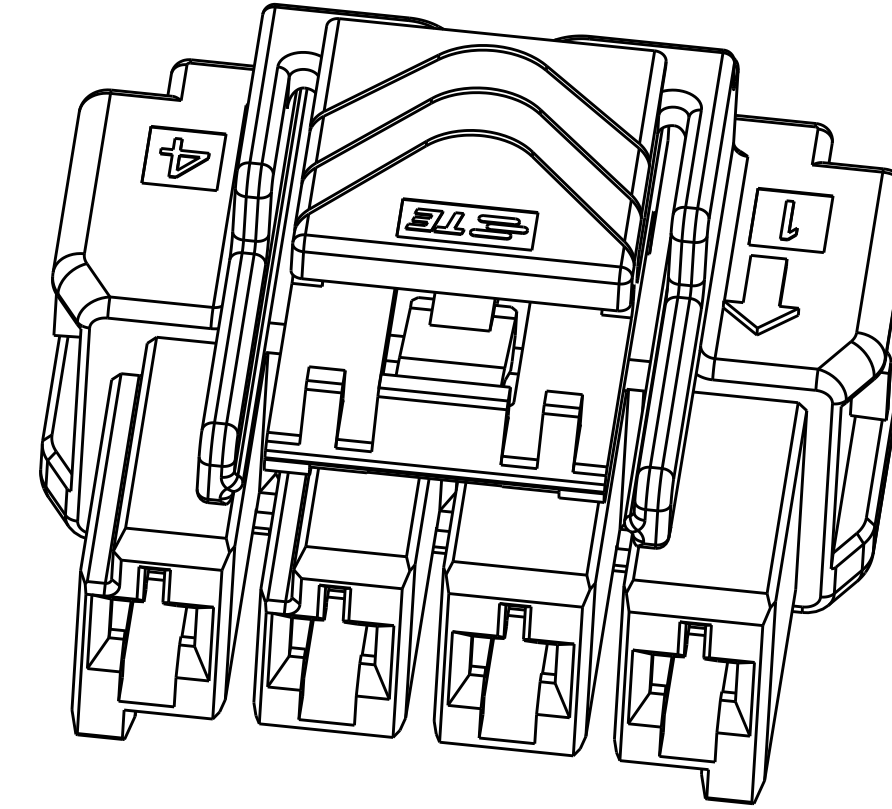
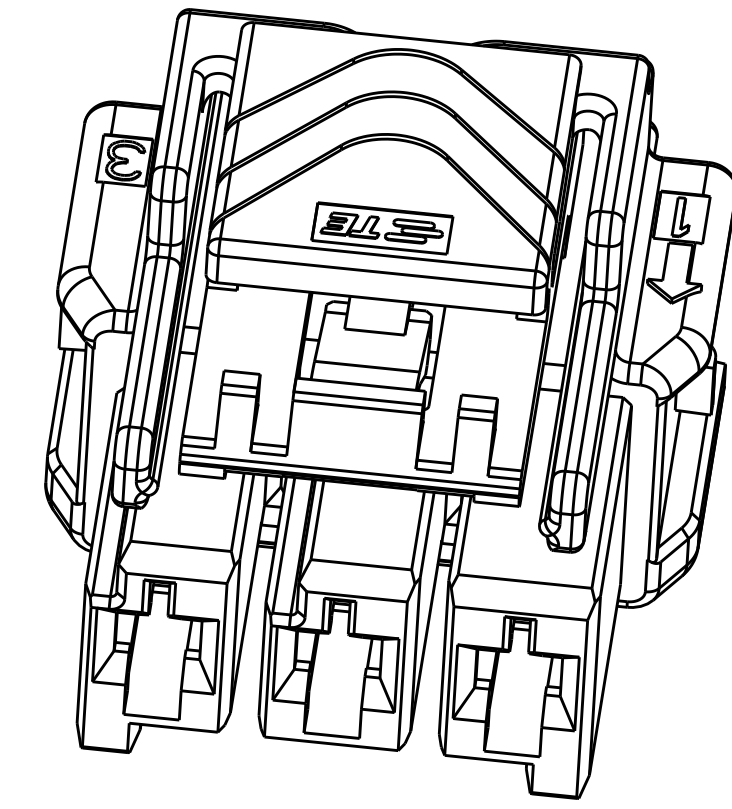
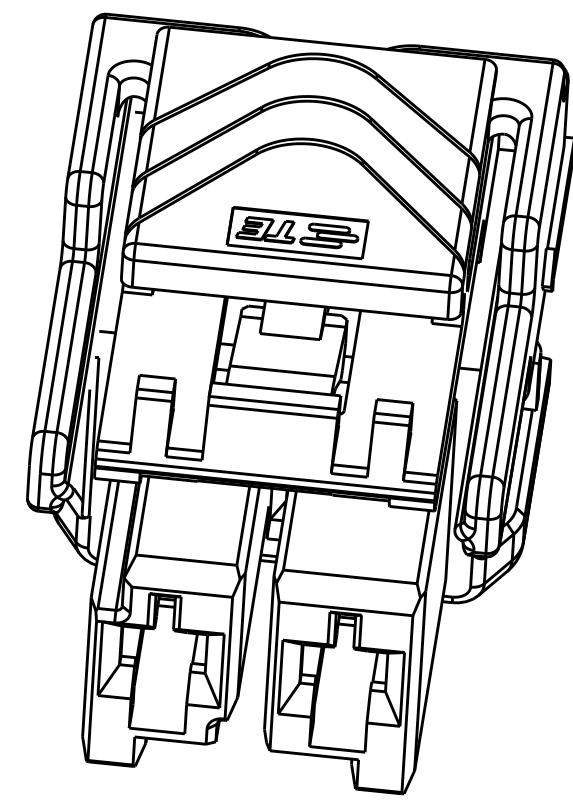


- 1 MATERIAL:  
 LEVEL 1: PBT, STANDARD TEMPERATURE 105°C  
 KEY A: NATURAL; KEY B: PURPLE; KEY C: BLUE; KEY D: YELLOW  
  
 LEVEL 2: NYLON, HIGH TEMPERATURE 150°C  
 KEY A: LIGHT GREY; KEY B: RED; KEY C: BLACK; KEY D: NATURAL
- 2 MATERIAL MARK:  
 LEVEL 1: PBT, LEVEL 2: HDT
- 3 APPLICABLE CONTACT P/N  
 RECEPTACLE CONTACT: 1971237/1971779/81/83/85/87-\* , 2238066-\*
- 4 MATING CONN, P/N  
 CAP HSG: \*-1971771/2-\* AND HEADER: \*-1969688-\*  
 TPA (LOCKING PLATE): \*-1971777-\*

5 This product has not completed validation testing.

|  |             |                              |  |
|--|-------------|------------------------------|--|
| THIS DRAWING IS A CONTROLLED DOCUMENT. |             | DWN: TOMMY_WU 09JUL2012      | TE Connectivity                                  |
| DIMENSIONS: mm                         |             | CHK: HAPYE_WU 09JUL2012      |  |
| TOLERANCES UNLESS OTHERWISE SPECIFIED: |             | APVD: YUHONG_MAO 09JUL2012   | NAME: PLUG HOUSING, SINGLE ROW POWER TRIPLE LOCK |
| 0 PLC ±-                               | 1 PLC ±0.35 | PRODUCT SPEC: 108-106118     | SIZE: A1   |
| 2 PLC ±0.25                            | 3 PLC ±-    | APPLICATION SPEC: 114-106118 | CAGE CODE: 1971773                               |
| 4 PLC ±-                               | ANGLES ±-   | WEIGHT: -                    | RESTRICTED TO: -                                 |
| MATERIAL: -                            | FINISH: -   | Customer Drawing             | SCALE: 5:1 SHEET 1 OF 2 REV D                    |

| LOC |     | DIST        |      | REVISIONS |      |  |  |
|-----|-----|-------------|------|-----------|------|--|--|
| P   | LTN | DESCRIPTION | DATE | DWN       | APVD |  |  |
| -   | -   | SEE SHEET 1 | -    | -         | -    |  |  |

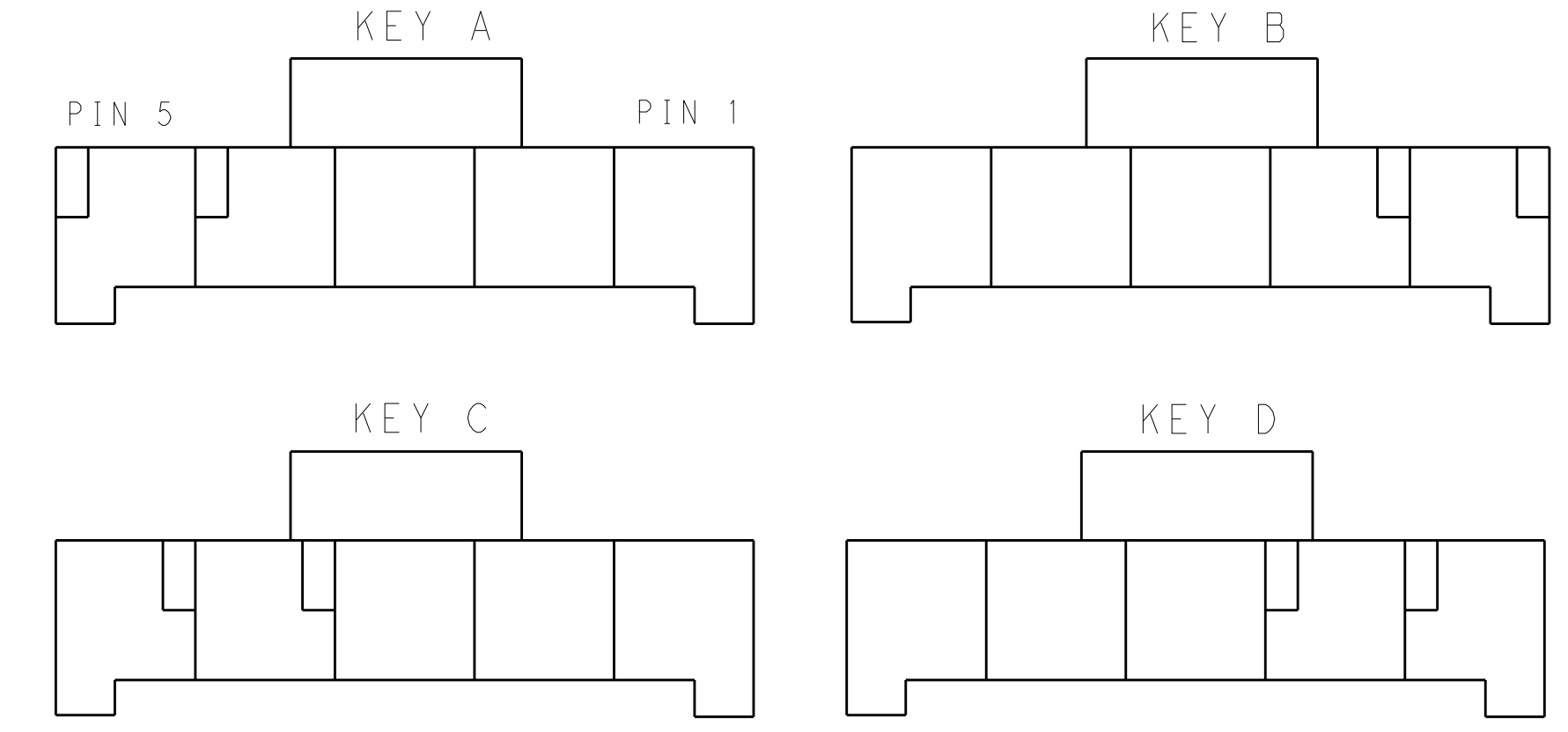
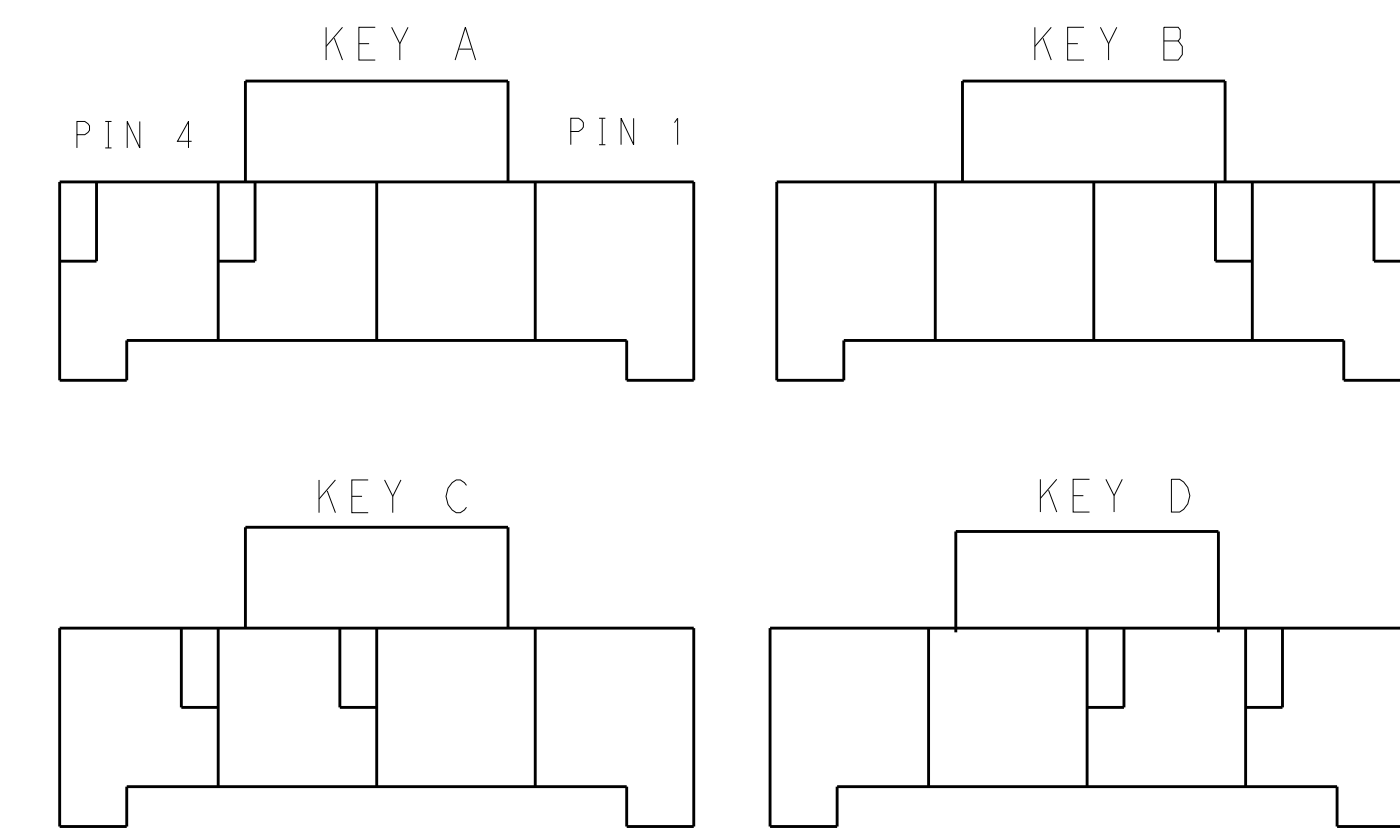
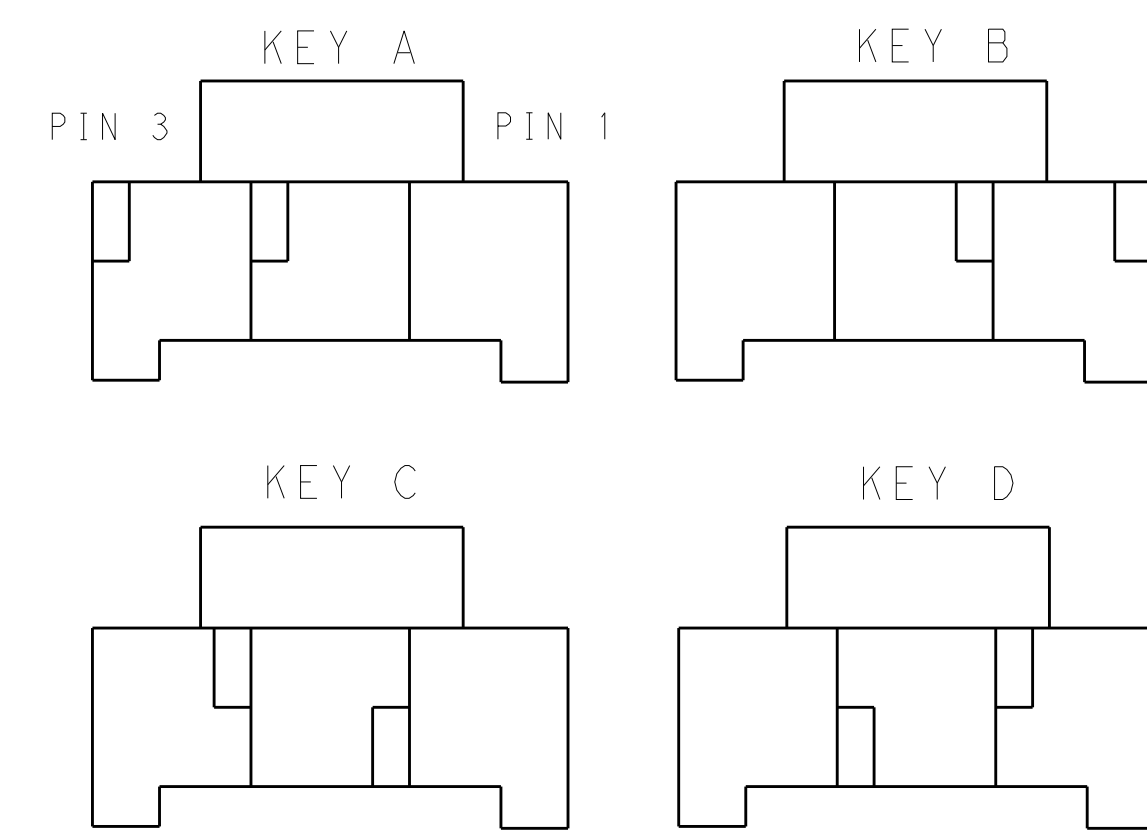
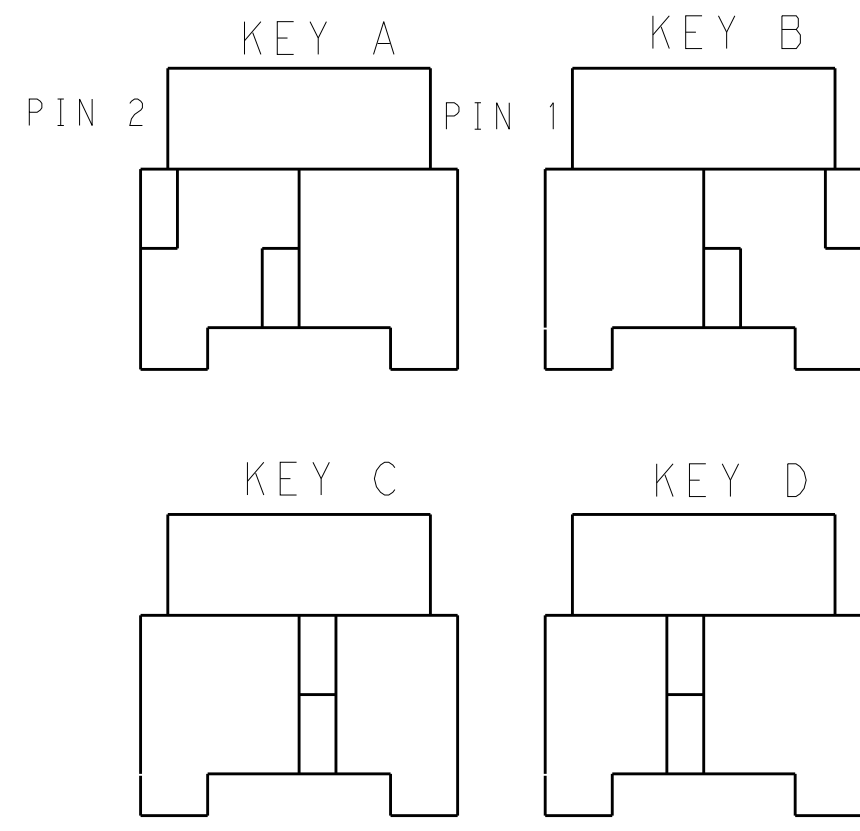


1\*2 POSITIONS

1\*3 POSITIONS

1\*4 POSITIONS

1\*5 POSITIONS



KEYING FOR 1\*2 POS.

KEYING FOR 1\*3 POS.

KEYING FOR 1\*4 POS.

KEYING FOR 1\*5 POS.

| POS. | MATERIAL | KEY   | P/N         |
|------|----------|-------|-------------|
| 1*3  | LEVEL 1  | KEY A | 1-1971773-3 |
|      |          | KEY B | 2-1971773-3 |
|      |          | KEY C | 3-1971773-3 |
|      |          | KEY D | 4-1971773-3 |
|      | LEVEL 2  | KEY A | 5-1971773-3 |
|      |          | KEY B | 6-1971773-3 |
|      |          | KEY C | 7-1971773-3 |
|      |          | KEY D | 8-1971773-3 |
| 1*2  | LEVEL 1  | KEY A | 1-1971773-2 |
|      |          | KEY B | 2-1971773-2 |
|      |          | KEY C | 3-1971773-2 |
|      |          | KEY D | 4-1971773-2 |
|      | LEVEL 2  | KEY A | 9-1971773-2 |
|      |          | KEY B | 6-1971773-2 |
|      |          | KEY C | 7-1971773-2 |
|      |          | KEY D | 8-1971773-2 |

| POS. | MATERIAL | KEY   | P/N         |
|------|----------|-------|-------------|
| 1*5  | LEVEL 1  | KEY A | 1-1971773-7 |
|      |          | KEY B | 2-1971773-7 |
|      |          | KEY C | 3-1971773-7 |
|      |          | KEY D | 4-1971773-7 |
|      | LEVEL 2  | KEY A | 5-1971773-7 |
|      |          | KEY B | 6-1971773-7 |
|      |          | KEY C | 7-1971773-7 |
|      |          | KEY D | 8-1971773-7 |
| 1*4  | LEVEL 1  | KEY A | 1-1971773-4 |
|      |          | KEY B | 2-1971773-4 |
|      |          | KEY C | 3-1971773-4 |
|      |          | KEY D | 4-1971773-4 |
|      | LEVEL 2  | KEY A | 5-1971773-4 |
|      |          | KEY B | 6-1971773-4 |
|      |          | KEY C | 7-1971773-4 |
|      |          | KEY D | 8-1971773-4 |

THIS DRAWING IS A CONTROLLED DOCUMENT.

|                  |  |                         |                          |                              |
|------------------|--|-------------------------|--------------------------|------------------------------|
| DIMENSIONS:      | TOLERANCES UNLESS OTHERWISE SPECIFIED:                                       | DWN: TOMMY WU 09JUL2012 | CHK: HAPYE WU 09JUL2012  | APVD: YUHONG MAO 09JUL2012   |
| mm               | 0 PLC ±.1<br>1 PLC ±0.35<br>2 PLC ±0.25<br>3 PLC ±.<br>4 PLC ±.<br>ANGLES ±. | NAME: YUHONG MAO        | PRODUCT SPEC: 108-106118 | APPLICATION SPEC: 114-106118 |
| MATERIAL:        | FINISH:  | SIZE: A1                | CAGE CODE: 00779         | DRAWING NO: 1971773          |
| Customer Drawing |  | SCALE: 4:1              | SHEET: 2 OF 2            | REV: D                       |

**STE** TE Connectivity  
 PLUG HOUSING, SINGLE ROW  
 POWER TRIPLE LOCK

# Mouser Electronics

Authorized Distributor

Click to View Pricing, Inventory, Delivery & Lifecycle Information:

[TE Connectivity:](#)

[9-1971773-2](#)