

5

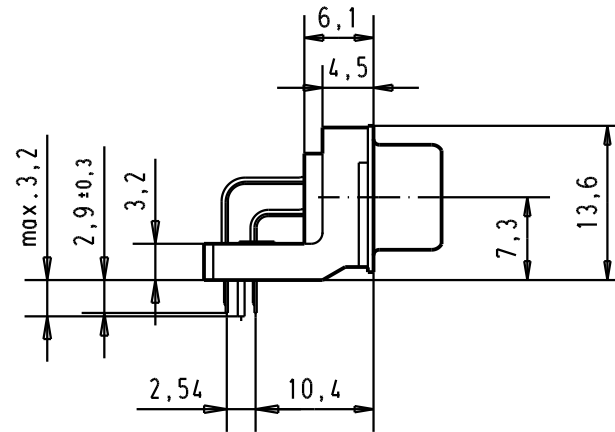
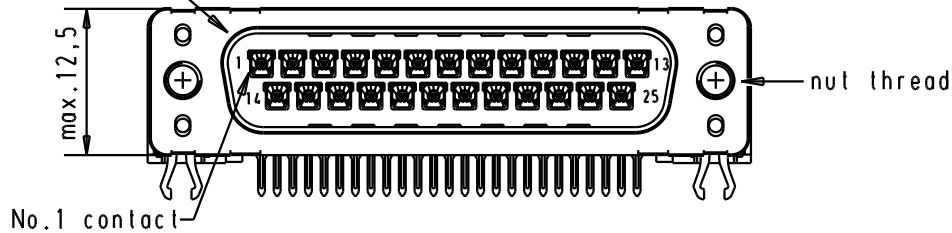
4

3

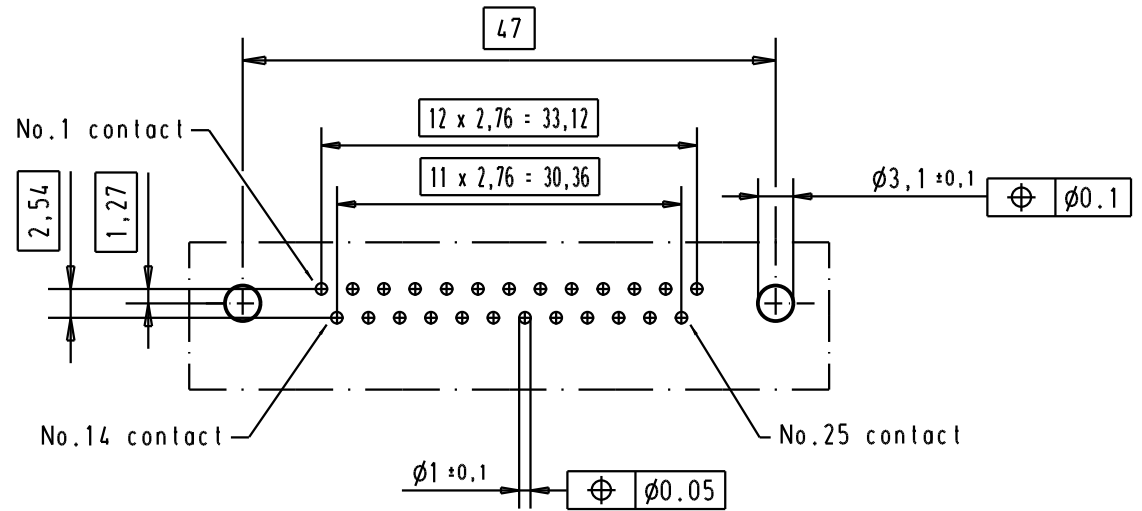
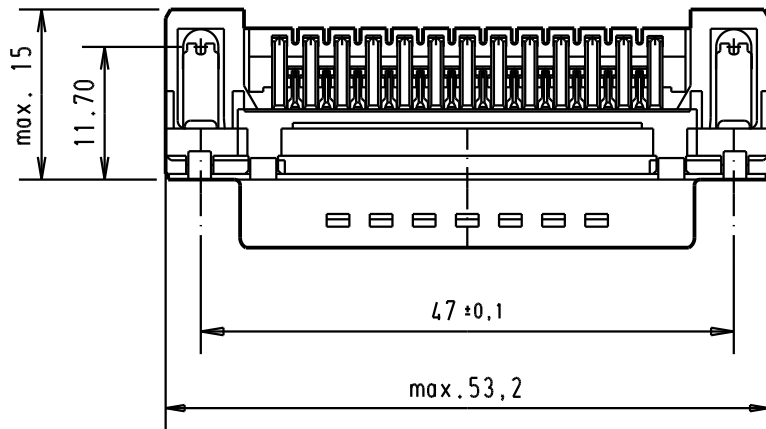
2

1

Mating face according to : MIL-C-24308 / DIN 41652 / CECC 75301-802



PCB layout hole component side



Connector retention and insertion forces on the PCB = 25 / 80 newtons

A	09 65 362 3811	M3	1							<p>All Dim. in mm Orig. Size DIN A 4</p>	D-Sub, male, standard angle, 25 poles, with solder pin, nut and grounding board lock.	Maßstab/ Scale 1.5:1
	09 65 362 6811	M3	2				Detail.	15/dec/00	ALSPACE			
	09 65 362 7811	M3	3	31892	22/04/04	JH	Insp.					
	09 65 362 3812	4-40 UNC	1	31084	04/09/02	YT	Stand.					
09 65 362 6812	4-40 UNC	2	29689	03/07/01	AA	HARTING EURL F-95972 Paris				TB 0965362x81x	Blatt/ Page 5	
09 65 362 7812	4-40 UNC	3	27960	15/dec/00	ALSPACE							
Part number	Nut thread	Performance level	Mod.	Dat.	Name				Sub.			

# Mouser Electronics

Authorized Distributor

Click to View Pricing, Inventory, Delivery & Lifecycle Information:

[HARTING:](#)

[09653626812](#) [09653626811](#) [09653627811](#)