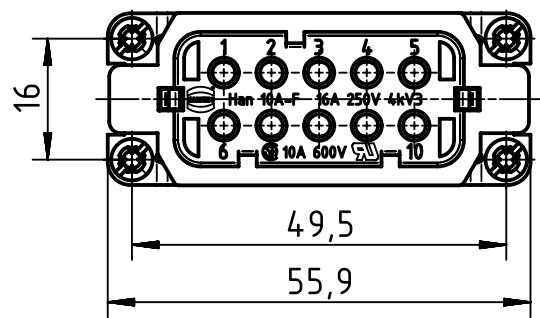
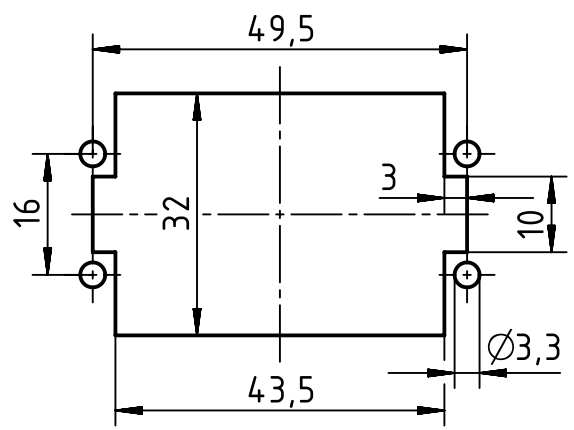


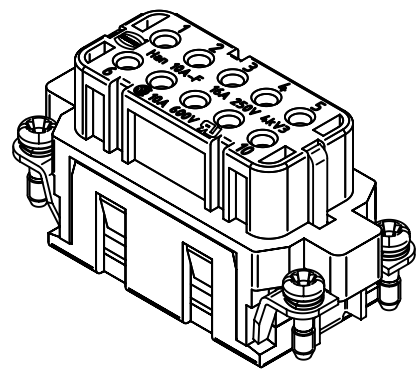
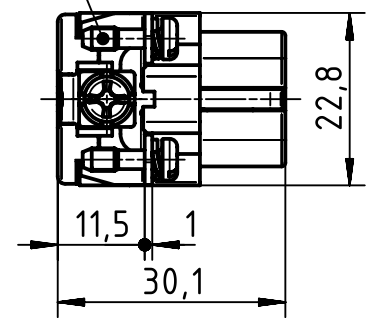
1 2 3 4 5 6

A
B
C
D

panel cut out



M3x10



	All Dimensions in mm Original Size DIN A4		Scale 1:1	Free size tol.		Ref.
						Sub.
	All rights reserved		Created by SPRENB	Inspected by BERGHORN	Standardisation TIEMANNA	Date 2015-09-18
	Department EL PD - DE					State Final Release
HARTING Electric GmbH & Co. KG D-32339 Espelkamp			Title Han A 10 Pos. F Insert Crimp			Doc-Key / ECM-Nr. 100087316/UGD/007/B 500000091602
			Type TB	Number 09 20 010 3101		Rev. B Page 1/1

Mouser Electronics

Authorized Distributor

Click to View Pricing, Inventory, Delivery & Lifecycle Information:

[HARTING:](#)

[09200103101](#)