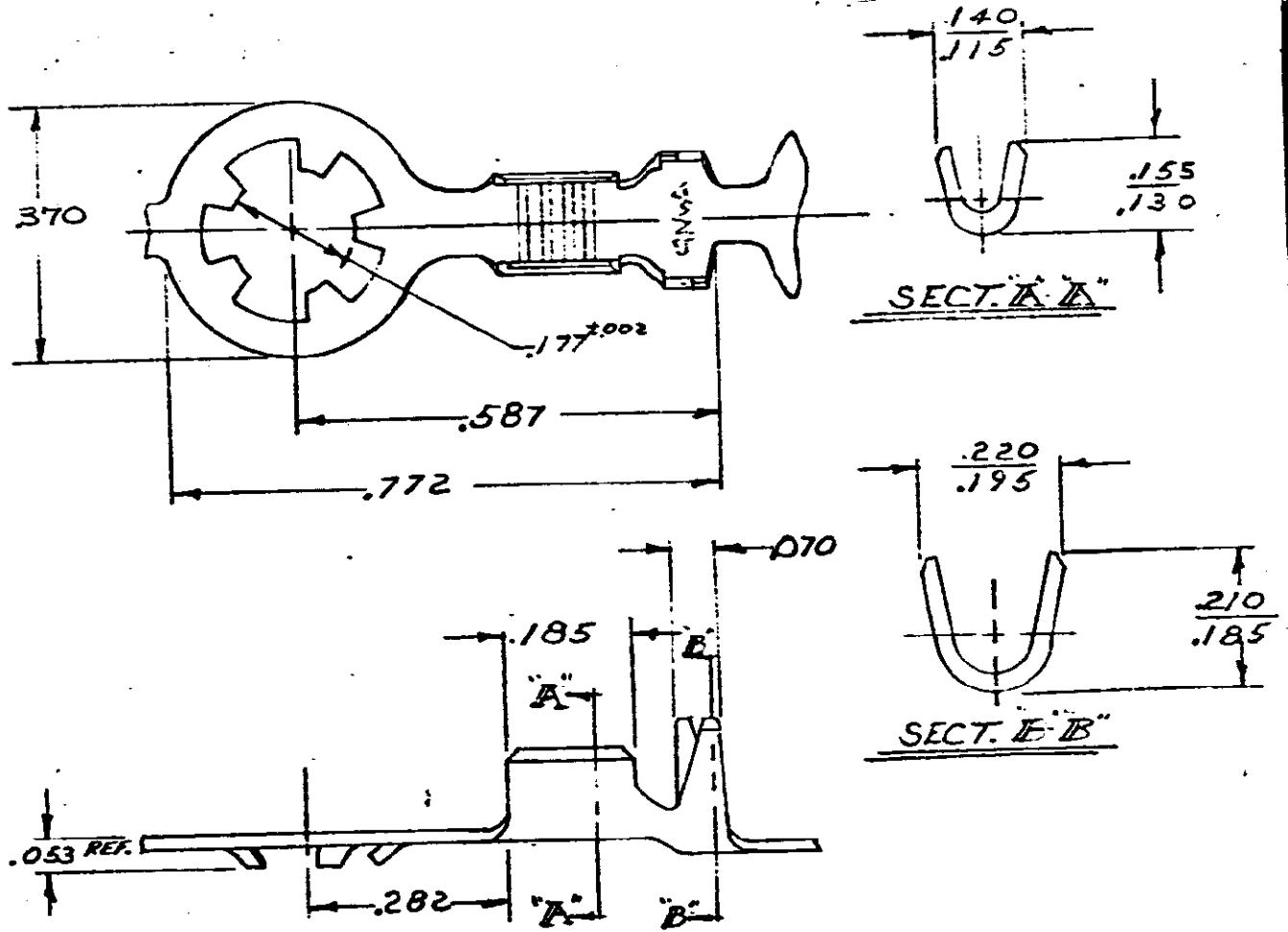


DRAWING MADE IN AMERICAN PROJECTION

NUMBER
350509



CONTINUOUS STRIP, ON REELS

PART NO.
350509-1

UNPUBLISHED COPY NOT TO BE
REPRODUCED NOR PUBLISHED
WITHOUT WRITTEN PERMISSION
AMP INCORPORATED.

DIMENSIONS IN INCHES. DO NOT SCALE PRINT.

© 1973 BY AMP INCORPORATED. ALL RIGHTS RESERVED. AMP PRODUCTS COVERED BY PATENTS AND/OR PATENTS PENDING

CUSTOMER COPY
REFERENCE ONLY

MATERIAL AND FINISH
025 3F488
NONE



AMP INCORPORATED
HARRISBURG, PENNA.

WIRE — RANGE — INSULATION TYPE
#22-16 | .105 MAX

TOLERANCE EXCEPT AS NOTED
± .015 ± 1° 0'

LOC A NO 350509 REV A

LTR	REVISION RECORD	ECN	OP	CHN	DATE
	A. M. S. Revision				

DR	DATE	DE
CHK	DATE	APP

NAME
RING

Mouser Electronics

Authorized Distributor

Click to View Pricing, Inventory, Delivery & Lifecycle Information:

[TE Connectivity:](#)

[350509-1](#)