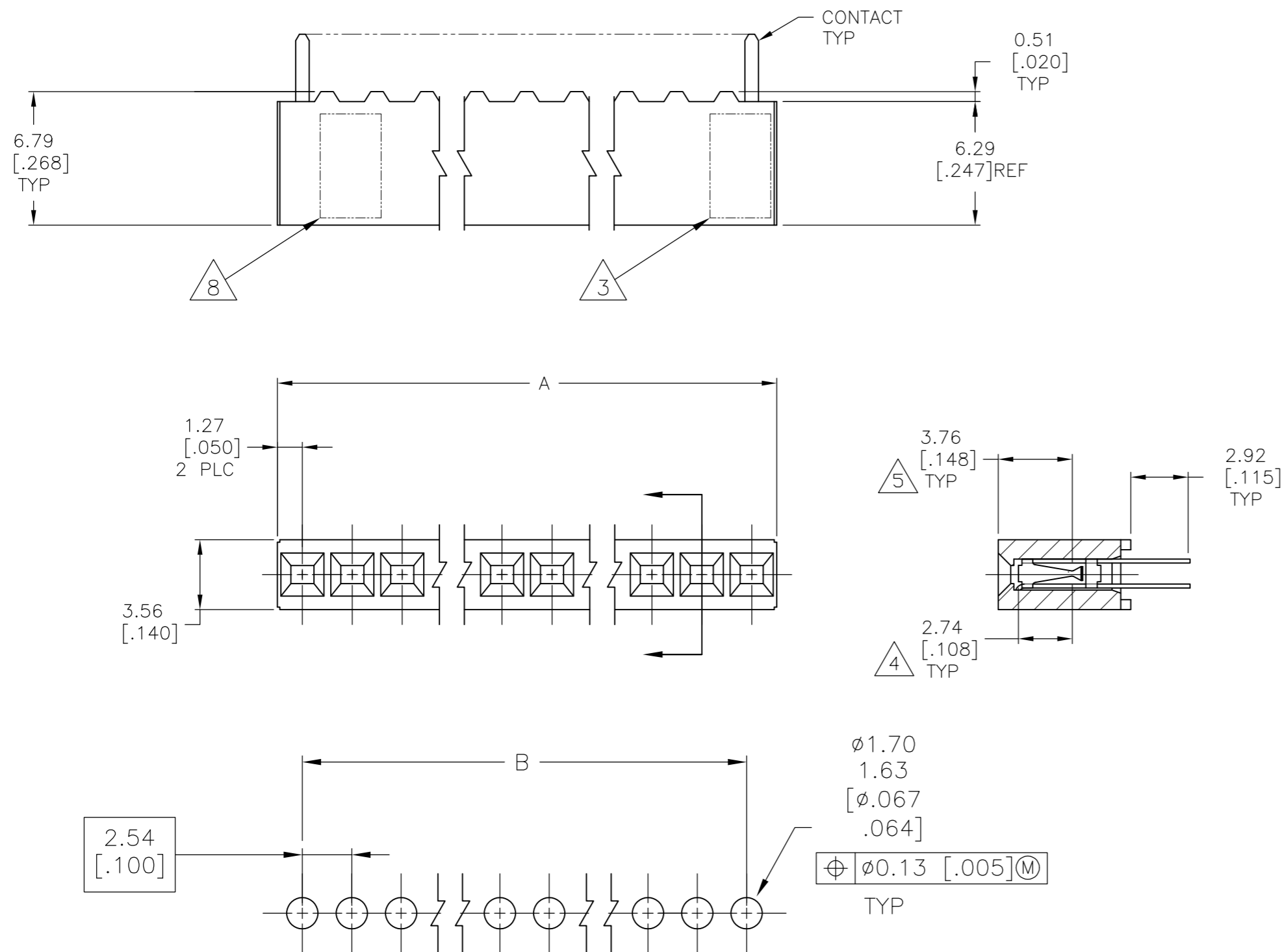


THIS DRAWING IS UNPUBLISHED. RELEASED FOR PUBLICATION
 © COPYRIGHT - By - ALL RIGHTS RESERVED.

| LOC | | DIST | | REVISIONS | | | |
|-----|-----|-------------|---------------------------|-----------|-----|------|--|
| P | LTR | DESCRIPTION | | DATE | DWN | APVD | |
| AD | 00 | AA3 | REVISED PER ECO-11-004917 | 11MAR11 | RK | HMR | |



RECOMMENDED PC BOARD HOLE PATTERN

PC BOARD THICKNESS 1.57 [.062]

- 1 HOUSING: GLASS FILLED FLAME RETARDANT POLYESTER, COLOR BLACK, CONTACTS: PHOSPHOR BRONZE.
- 2 CONTACTS: DUPLEX PLATED 0.76 MICROMETERS [.000030] GOLD IN CONTACT AREA 3.81-7.62 MICROMETERS [.000150-.000300] BRIGHT TIN-LEAD ON SOLDER LEADS. ALL OVER 1.27 [.000050] MIN NICKEL.
- 3 TE CONNECTIVITY, CSA LOGO MOLDED INTO HOUSING.
- 4 POINT OF MEASUREMENT FOR PLATING THICKNESS, MEASURED INSIDE CONTACT BEAMS
- 5 POINT OF CONTACT DIMENSION.
- 6 CONTACTS: DUPLEX PLATED 0.76 MICROMETERS (.000030) GOLD IN CONTACT AREA 3.81-7.62 MICROMETERS (.000150-.000300) MATTE TIN ON SOLDER LEADS. ALL OVER 1.27 (.000050) MIN NICKEL.
- 7 ROHS 2002 /95/EC COMPLIANT.
- 8 PART NUMBER AND DATE CODE MARKED IN APPROXIMATE LOCATION SHOWN.
- 9 NO PART NUMBER MARKING REQUIRED FOR THIS PART.
- 10 FOR 2 POS, DATE CODES MARKED OPPOSITE SIDE OF TE CONNECTIVITY LOGO.
- 11 OBSOLETE PARTS: OBSOLETE CIS STREAMLINING PER D.RENAUD/D.SINISI

| FINISH | A | B | NO OF POSN | PART NUMBER |
|--------|----------------|---------------|------------|-------------|
| 2 | 5.08 [.200] | 2.54 [.100] | 2 | 3-87879-9 |
| 2 | 12.70 [.500] | 10.16 [.400] | 5 | 3-87879-8 |
| 2 | 7.62 [.300] | 5.08 [.200] | 3 | 3-87879-7 |
| 2 | 10.16 [.400] | 7.62 [.300] | 4 | 3-87879-6 |
| 2 | 101.60 [4.000] | 99.06 [3.900] | 40 | 3-87879-5 |
| 2 | 99.06 [3.900] | 96.52 [3.800] | 39 | 3-87879-4 |
| 2 | 96.52 [3.800] | 93.98 [3.700] | 38 | 3-87879-3 |
| 2 | 93.98 [3.700] | 91.44 [3.600] | 37 | 3-87879-2 |
| 2 | 91.44 [3.600] | 88.90 [3.500] | 36 | 3-87879-1 |
| 2 | 88.90 [3.500] | 86.36 [3.400] | 35 | 3-87879-0 |
| 2 | 86.36 [3.400] | 83.82 [3.300] | 34 | 2-87879-9 |
| 2 | 83.82 [3.300] | 81.28 [3.200] | 33 | 2-87879-8 |
| 2 | 81.28 [3.200] | 78.74 [3.100] | 32 | 2-87879-7 |
| 2 | 78.74 [3.100] | 76.20 [3.000] | 31 | 2-87879-6 |
| 2 | 76.20 [3.000] | 73.66 [2.900] | 30 | 2-87879-5 |
| 2 | 73.66 [2.900] | 71.12 [2.800] | 29 | 2-87879-4 |
| 2 | 71.12 [2.800] | 68.58 [2.700] | 28 | 2-87879-3 |
| 2 | 68.58 [2.700] | 66.04 [2.600] | 27 | 2-87879-2 |
| 2 | 66.04 [2.600] | 63.50 [2.500] | 26 | 2-87879-1 |
| 2 | 63.50 [2.500] | 60.96 [2.400] | 25 | 2-87879-0 |
| 2 | 60.96 [2.400] | 58.42 [2.300] | 24 | 1-87879-9 |
| 2 | 58.42 [2.300] | 55.88 [2.200] | 23 | 1-87879-8 |
| 2 | 55.88 [2.200] | 53.34 [2.100] | 22 | 1-87879-7 |
| 2 | 53.34 [2.100] | 50.80 [2.000] | 21 | 1-87879-6 |
| 2 | 50.80 [2.000] | 48.26 [1.900] | 20 | 1-87879-5 |
| 2 | 48.26 [1.900] | 45.72 [1.800] | 19 | 1-87879-4 |
| 2 | 45.72 [1.800] | 43.18 [1.700] | 18 | 1-87879-3 |
| 2 | 43.18 [1.700] | 40.64 [1.600] | 17 | 1-87879-2 |
| 2 | 40.64 [1.600] | 38.10 [1.500] | 16 | 1-87879-1 |
| 2 | 38.10 [1.500] | 35.56 [1.400] | 15 | 1-87879-0 |
| 2 | 35.56 [1.400] | 33.02 [1.300] | 14 | 87879-9 |
| 2 | 33.02 [1.300] | 30.48 [1.200] | 13 | 87879-8 |
| 2 | 30.48 [1.200] | 27.94 [1.100] | 12 | 87879-7 |
| 2 | 27.94 [1.100] | 25.40 [1.000] | 11 | 87879-6 |
| 2 | 22.86 [.900] | 20.32 [.800] | 9 | 87879-5 |
| 2 | 17.78 [.700] | 15.24 [.600] | 7 | 87879-4 |
| 2 | 15.24 [.600] | 12.70 [.500] | 6 | 87879-3 |
| 2 | 25.40 [1.00] | 22.86 [.900] | 10 | 87879-2 |
| 2 | 20.32 [.800] | 17.78 [.700] | 8 | 87879-1 |

THIS DRAWING IS A CONTROLLED DOCUMENT. DWN J KNAUB 12-20-93
 CHK A GABANY 6-28-94

DIMENSIONS: mm [INCHES] TOLERANCES UNLESS OTHERWISE SPECIFIED:
 0 PLC ± -
 1 PLC ± -
 2 PLC ± -
 3 PLC ± .127 [.005]
 4 PLC ± -
 ANGLES ± -

PRODUCT SPEC 108-25022
 APPLICATION SPEC 114-25018

MATERIAL 1 FINISH 2 6

WEIGHT -

CUSTOMER DRAWING

TE Connectivity
 CONNECTOR ASSEMBLY, MOD IV, SINGLE ROW .100CL, DUAL ENTRY


SIZE A2 CAGE CODE 00779 DRAWING NO C=87879 RESTRICTED TO -

SCALE 4:1 SHEET 1 OF 2 REV AA3

THIS DRAWING IS UNPUBLISHED. RELEASED FOR PUBLICATION
 © COPYRIGHT - By - ALL RIGHTS RESERVED.

| LOC | | DIST | | REVISIONS | | | |
|-----|-----|-------------|--|-----------|-----|------|--|
| P | LTR | DESCRIPTION | | DATE | DWN | APVD | |
| - | - | SEE SHEET 1 | | - | - | - | |

| FINISH | A | B | NO OF POSN | PART NUMBER |
|----------|----------------|---------------|------------|-------------|
| OBSOLETE | 5.08 [.200] | 2.54 [.100] | 2 | 8-87879-9 |
| OBSOLETE | 12.70 [.500] | 10.16 [.400] | 5 | 8-87879-8 |
| OBSOLETE | 7.62 [.300] | 5.08 [.200] | 3 | 8-87879-7 |
| OBSOLETE | 10.16 [.400] | 7.62 [.300] | 4 | 8-87879-6 |
| OBSOLETE | 101.60 [4.000] | 99.06 [3.900] | 40 | 8-87879-5 |
| OBSOLETE | 99.06 [3.900] | 96.52 [3.800] | 39 | 8-87879-4 |
| OBSOLETE | 96.52 [3.800] | 93.98 [3.700] | 38 | 8-87879-3 |
| OBSOLETE | 93.98 [3.700] | 91.44 [3.600] | 37 | 8-87879-2 |
| OBSOLETE | 91.44 [3.600] | 88.90 [3.500] | 36 | 8-87879-1 |
| OBSOLETE | 88.90 [3.500] | 86.36 [3.400] | 35 | 8-87879-0 |
| OBSOLETE | 86.36 [3.400] | 83.82 [3.300] | 34 | 7-87879-9 |
| OBSOLETE | 83.82 [3.300] | 81.28 [3.200] | 33 | 7-87879-8 |
| OBSOLETE | 81.28 [3.200] | 78.74 [3.100] | 32 | 7-87879-7 |
| OBSOLETE | 78.74 [3.100] | 76.20 [3.000] | 31 | 7-87879-6 |
| OBSOLETE | 76.20 [3.000] | 73.66 [2.900] | 30 | 7-87879-5 |
| OBSOLETE | 73.66 [2.900] | 71.12 [2.800] | 29 | 7-87879-4 |
| OBSOLETE | 71.12 [2.800] | 68.58 [2.700] | 28 | 7-87879-3 |
| OBSOLETE | 68.58 [2.700] | 66.04 [2.600] | 27 | 7-87879-2 |
| OBSOLETE | 66.04 [2.600] | 63.50 [2.500] | 26 | 7-87879-1 |
| OBSOLETE | 63.50 [2.500] | 60.96 [2.400] | 25 | 7-87879-0 |
| OBSOLETE | 60.96 [2.400] | 58.42 [2.300] | 24 | 6-87879-9 |
| OBSOLETE | 58.42 [2.300] | 55.88 [2.200] | 23 | 6-87879-8 |
| OBSOLETE | 55.88 [2.200] | 53.34 [2.100] | 22 | 6-87879-7 |
| OBSOLETE | 53.34 [2.100] | 50.80 [2.000] | 21 | 6-87879-6 |
| OBSOLETE | 50.80 [2.000] | 48.26 [1.900] | 20 | 6-87879-5 |
| OBSOLETE | 48.26 [1.900] | 45.72 [1.800] | 19 | 6-87879-4 |
| OBSOLETE | 45.72 [1.800] | 43.18 [1.700] | 18 | 6-87879-3 |
| OBSOLETE | 43.18 [1.700] | 40.64 [1.600] | 17 | 6-87879-2 |
| OBSOLETE | 40.64 [1.600] | 38.10 [1.500] | 16 | 6-87879-1 |
| OBSOLETE | 38.10 [1.500] | 35.56 [1.400] | 15 | 6-87879-0 |
| OBSOLETE | 35.56 [1.400] | 33.02 [1.300] | 14 | 5-87879-9 |
| OBSOLETE | 33.02 [1.300] | 30.48 [1.200] | 13 | 5-87879-8 |
| OBSOLETE | 30.48 [1.200] | 27.94 [1.100] | 12 | 5-87879-7 |
| OBSOLETE | 27.94 [1.100] | 25.40 [1.000] | 11 | 5-87879-6 |
| OBSOLETE | 22.86 [.900] | 20.32 [.800] | 9 | 5-87879-5 |
| OBSOLETE | 17.78 [.700] | 15.24 [.600] | 7 | 5-87879-4 |
| OBSOLETE | 15.24 [.600] | 12.70 [.500] | 6 | 5-87879-3 |
| OBSOLETE | 25.40 [1.00] | 22.86 [.900] | 10 | 5-87879-2 |
| OBSOLETE | 20.32 [.800] | 17.78 [.700] | 8 | 5-87879-1 |

| | | | | | | |
|---|---------------|-------------------------------|---|--------------------|-----------------------|--------------------|
| THIS DRAWING IS A CONTROLLED DOCUMENT. | | DWN J KNAUB 12-20-93 |  TE Connectivity | | | |
| DIMENSIONS: mm [INCHES] | | CHK A GABANY 6-28-94 | | | | |
| TOLERANCES UNLESS OTHERWISE SPECIFIED: | | APVD - | NAME CONNECTOR ASSEMBLY, MOD IV, SINGLE ROW .100CL, DUAL ENTRY | | | |
| 0 PLC ± - 1 PLC ± - 2 PLC ± - 3 PLC ± .127 [.005] 4 PLC ± - ANGLES ± - | | PRODUCT SPEC 108-25022 | SIZE A2 | CAGE CODE 00779 | DRAWING NO C=87879 | RESTRICTED TO - |
| MATERIAL 1 | FINISH 2 6 | APPLICATION SPEC 114-25018 | SCALE 1:1 | | SHEET 2 OF 2 | REV AA3 |
| CUSTOMER DRAWING | | | | | | |

Mouser Electronics

Authorized Distributor

Click to View Pricing, Inventory, Delivery & Lifecycle Information:

[TE Connectivity:](#)

[87879-7](#)