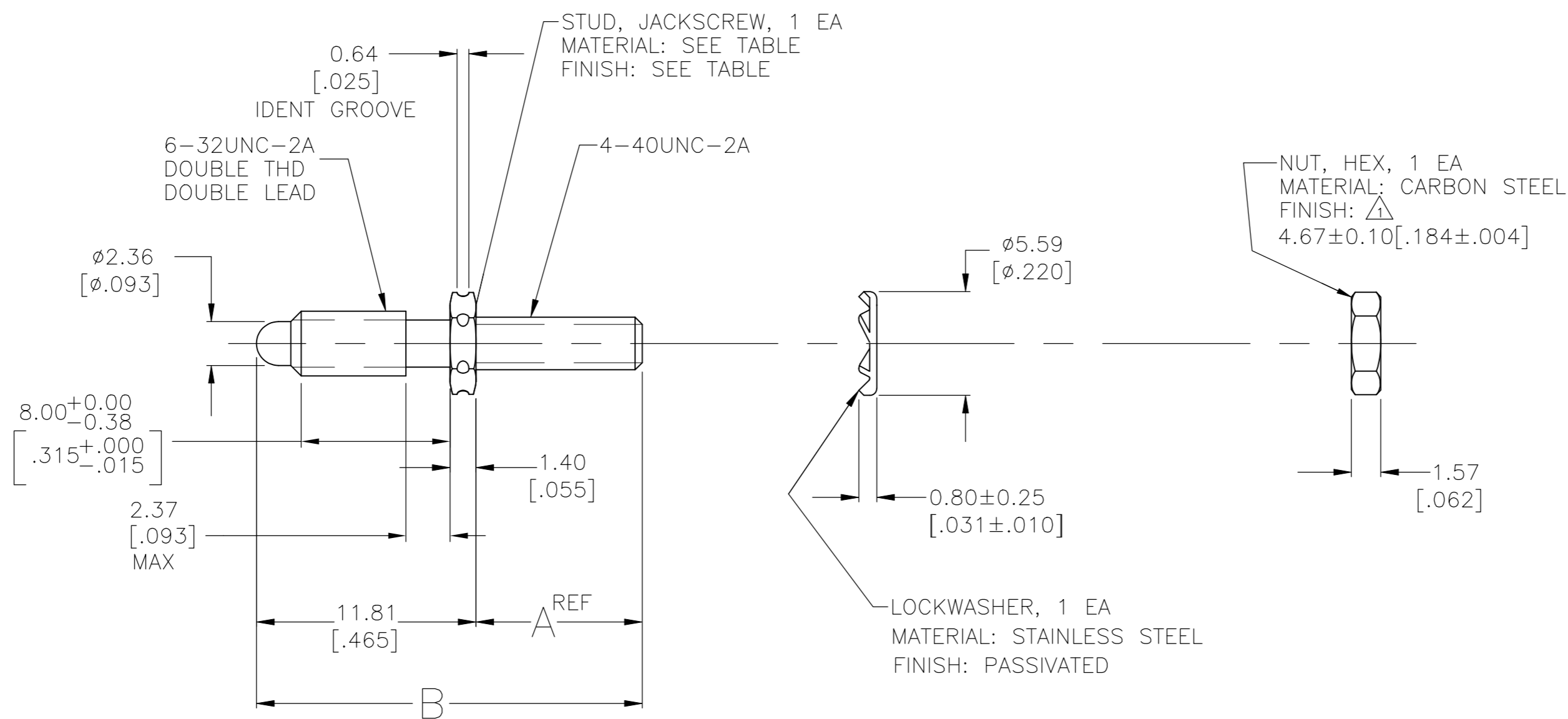



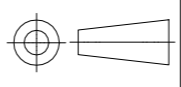
THIS DRAWING IS UNPUBLISHED. RELEASED FOR PUBLICATION
 © COPYRIGHT - TE Connectivity Ltd. ALL RIGHTS RESERVED.

REVISIONS					
P	LTR	DESCRIPTION	DATE	DWN	APVD
	AG	REVISED PER ECO-10-021995	12JAN11	HMR	MG
	AH	REVISED PER ECO-18-005806	24APR2018	RS	MZ

 ZINC PLATE



	-	STAINLESS STL	20.62 [.812]	8.81 [.347]	1-200874-2
	-	STAINLESS STL	23.80 [.937]	11.99 [.472]	200874-3
	SUPERCEDED TO 200874-1	ZINC CARBON STEEL	20.62 [.812]	8.81 [.347]	200874-2
	SUPERCEDED TO 1-200874-2	- STAINLESS STL	20.62 [.812]	8.81 [.347]	200874-1
	FINISH	MATERIAL	B	A	PART NUMBER
JACKSCREW STUD					

THIS DRAWING IS A CONTROLLED DOCUMENT.		DWN C.OBERMAN 02/25/92	 TE Connectivity Ltd.		
DIMENSIONS: mm [INCHES]		CHK R.STONE 2-28-92			
		APVD -	NAME JACKSCREW KIT, UNASSEMBLED, STUD, FIXED, M SERIES		
MATERIAL SEE CALLOUT		TOLERANCES UNLESS OTHERWISE SPECIFIED: 0 PLC ± - 1 PLC ± - 2 PLC ± 0.13 [.005] 3 PLC ± - 4 PLC ± - ANGLES ± -	PRODUCT SPEC -	APPLICATION SPEC -	RESTRICTED TO -
FINISH SEE CALLOUT		WEIGHT -	SIZE A2	CAGE CODE 00779	DRAWING NO C=200874
CUSTOMER DRAWING			SCALE 4:1	SHEET 1 of 1	REV AH

Mouser Electronics

Authorized Distributor

Click to View Pricing, Inventory, Delivery & Lifecycle Information:

[TE Connectivity:](#)

[200874-3](#)