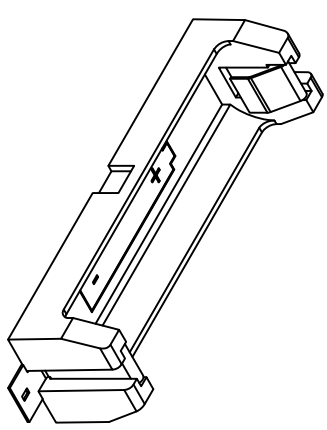
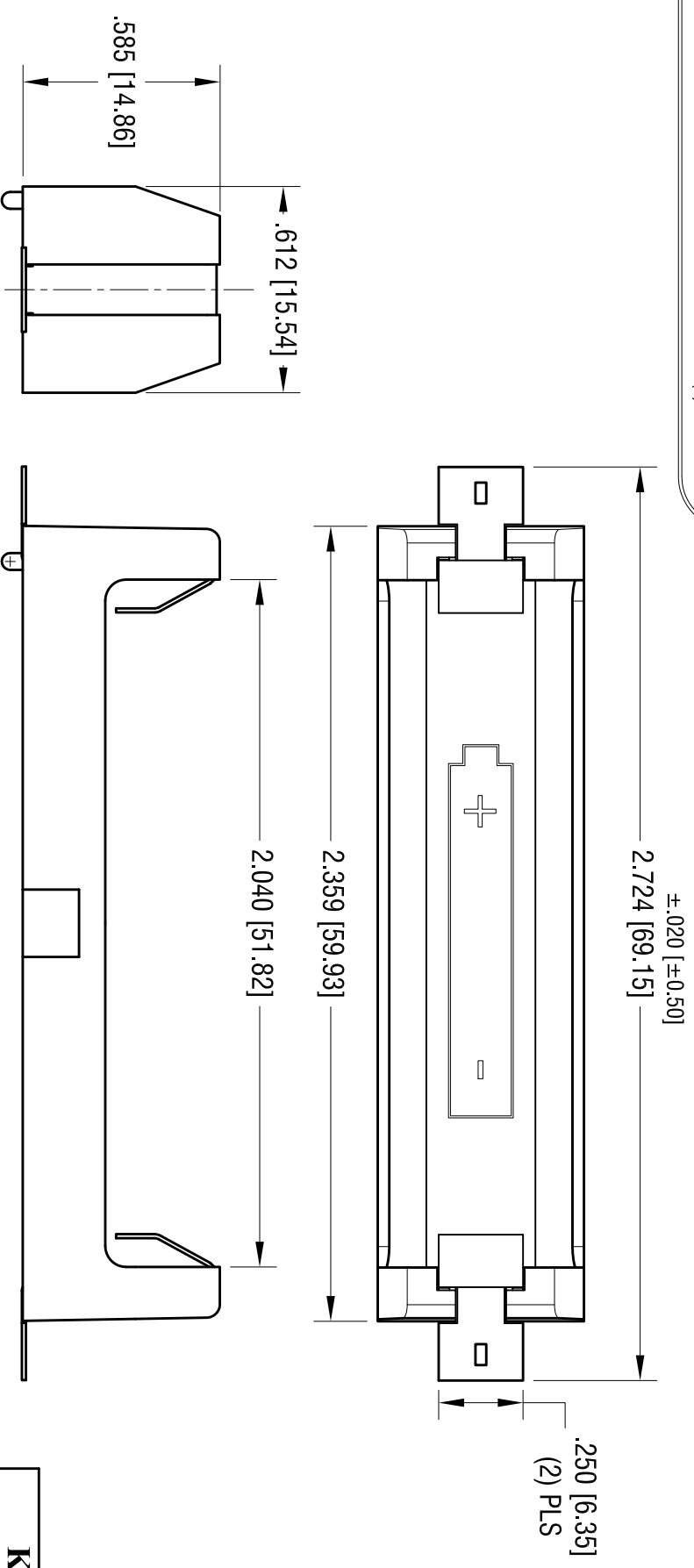
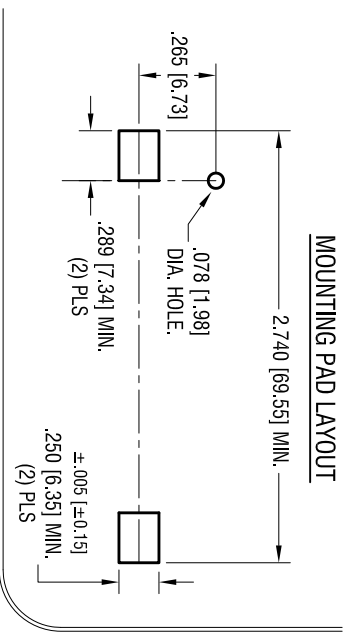


| DATE | DESCRIPTION | REV. |
|----------|--------------------------|------|
| 2.17.10 | CHANGE AS PER ECN 10-014 | A |
| 10.08.13 | CHANGE AS PER ECN 13-090 | B |
| 3.30.17 | CHANGE AS PER ECN17-029 | C |



NOTE:
 1. BASE:
 MAT'L: HEAT RESISTANCE NYLON
 STANVYL 46 OR EQUIVALENT

2. CONTACT:
 MAT'L: .012 [0.30] THK STAINLESS STEEL
 FINISH: GOLD FLASH, OVER NICKEL PLATE.

THIS DOCUMENT IS THE PROPERTY OF
 KEYSTONE ELECTRONICS CORP. AND
 SHALL NOT BE REPRODUCED, DISTRIBUTED
 OR USED AS A BASIS FOR MANUFACTURE
 WITHOUT PRIOR WRITTEN PERMISSION
 FROM KEYSTONE ELECTRONICS CORP.

| | | | |
|---|--------|-----------------------|----------|
| KEYSTONE ELECTRONICS CORP. | | | |
| www.keystec.com • ASTORIA, N.Y. 11105-2017 • Tel (718) 956-8900 | | | |
| PART NAME | | SM BATTERY HOLDER, AA | |
| MATERIAL | | AS NOTED | |
| FINISH | | AS NOTED | |
| TOLERANCES | INCH | [MM] | CODE |
| DECIMAL | ± .010 | [± 0.25] | C |
| ANGULAR | ± 1° | | |
| UNLESS OTHERWISE SPECIFIED | | | |
| DRN BY | NT | DATE | 12.09.09 |
| App'D | LN | SCALE | 2X |
| DWG NO. | | 1024 | |

Mouser Electronics

Authorized Distributor

Click to View Pricing, Inventory, Delivery & Lifecycle Information:

[Keystone Electronics:](#)

[1024](#)