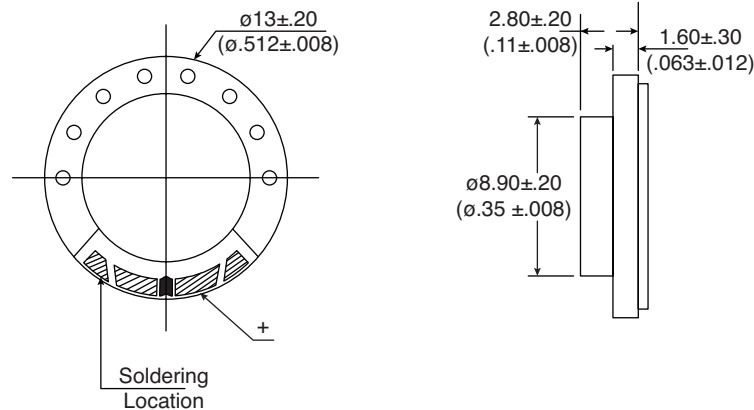
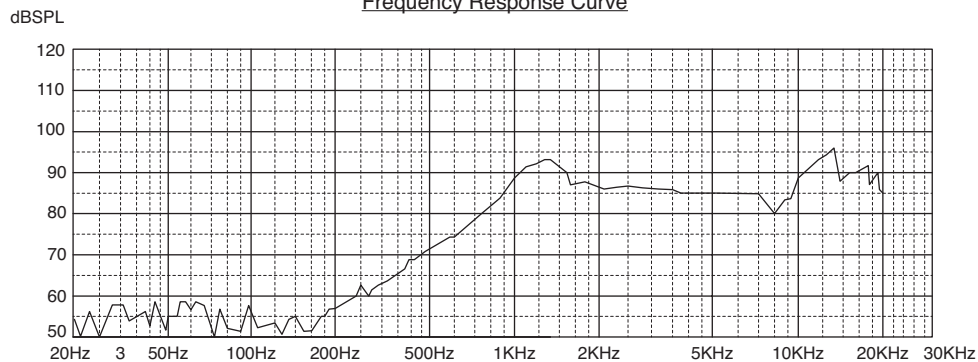


Part Number:

254-PS1308-RO



Frequency Response Curve



Speaker

KT-400558

Electrical Specifications:

- Nominal Impedance: $8\Omega \pm 15\%$ at 2100Hz/1.0V
- Power Rating: Normal 0.3W, Maximum 0.5W
- Lowest Resonant Frequency: $1100 \pm 20\%$ Hz
- Output Sound Pressure Level: 88 ± 3 dB/0.3W, 0.1 Meter
- Nominal Impedance: $8\Omega \pm 15\%$ at 2100Hz/1.0V
Average at 1000, 1200, 1500, 2000Hz
- Frequency Range: 700~7000Hz, Average SPL -10dB
- Distortion: 10% Maximum at 3000 Hz, 0.3W

Mechanical Specifications:

- Operating Temperature: -20°C to $+50^{\circ}\text{C}$
- Storage Temperature: -25°C to $+55^{\circ}\text{C}$

Materials:

- Magnet: NdFeB
- Weight: ~1.2 grams

Notes:

- RoHS Compliant

Mouser Electronics

Authorized Distributor

Click to View Pricing, Inventory, Delivery & Lifecycle Information:

[Kobitone:](#)

[254-PS1308-RO](#)