

## IACM Series

### Slim Line AC Input Module

UL File E29244

Users should thoroughly review the technical data before selecting a product part number. It is recommended that users also seek out the pertinent approvals files of the agencies/laboratories and review them to ensure the product meets the requirements for a given application.

#### Features

- Slim line .4" (10.16mm) thick package.
- Foot print same as .6" (15.24mm) thick package.
- 4000V rms optical isolation.
- Color coded by function.
- High immunity to false operation.
- Series compatible.
- Compatible with 2IOM series mounting boards.

#### Engineering Data

**Switch Form:** 1 Form A (SPST-NO)  
**Duty:** Continuous.  
**Operating Temperature:** -30°C to +80°C.  
**Storage Temperature:** -30°C to 100°C.  
**Potting Compound Flammability:** UL94V-0.  
**Solderability:** 260°C for 5 seconds, maximum.  
**Approximate Weight:** .87 oz. (22.1g).

#### Ordering Information

Typical Part Number >

IACM -5 A

**1. Basic Series: IACM** = Slim line AC input module — yellow case

**2. Logic Voltage:** 5 = 5VDC  
 15 = 15VDC  
 24 = 24VDC

**3. Input:** Blank = 120VAC input (90-140VAC) \*\*  
 A = 240VAC input (180-280VAC) \*\*  
 E = 18-36VAC input \*\*

\*\* Is not polarity sensitive.

**Our authorized distributors are more likely to maintain the following items in stock for immediate delivery.**

IACM-5  
 IACM-5A  
 IACM-5E  
 IACM-15

**IACM Series** (Continued)

**AC Input Module**

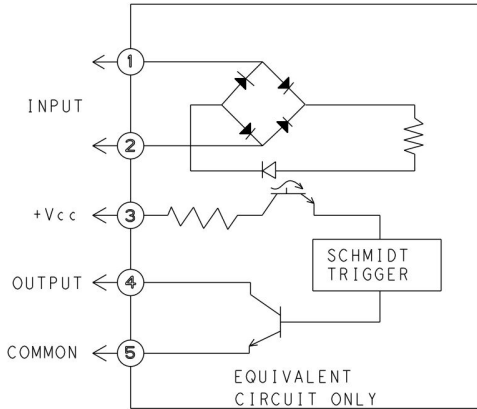
**Input Specifications**

Parameter	Conditions	Units	IACM-5			IACM-5A			IACM-5E		
			IACM-15	IACM-24		IACM-15A	IACM-24A		IACM-15E	IACM-24E	
Control Voltage Range $V_{IN}$		VAC	Min. 90	Typ. 120	Max. 140	Min. 180	Typ. 240	Max. 280	Min. 18	Typ. 24	Max. 36
Must Operate Voltage $V_{IN(OP)}$		VAC	90			180			18		
Must Release Voltage $V_{IN(REL)}$		VAC	60			60			10		
Max. Input Current	@ $V_{IN} = \text{Max.}$	mA	1 - 5			1 - 8			0.2 - 2.0		
Input Resistance		Ohms	28K			35K			18K		

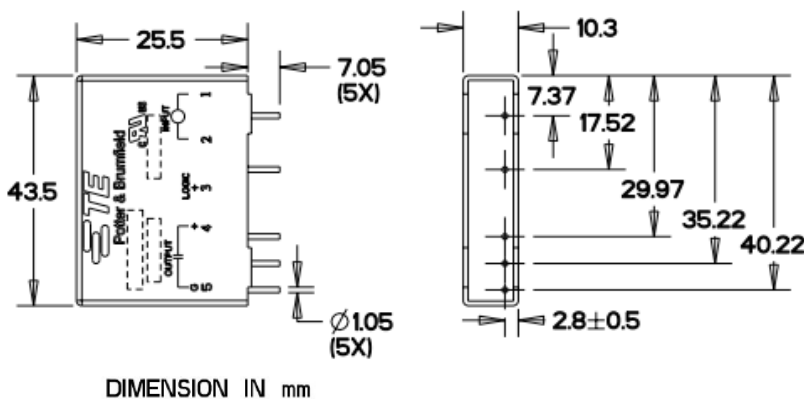
**Output Specifications (@ +25°C unless otherwise specified)**

Parameter	Conditions	Units	IACM-5			IACM-15			IACM-24		
			IACM-5A	IACM-5E		IACM-15A	IACM-15E		IACM-24A	IACM-24E	
Maximum Output Voltage		VDC	30			30			30		
Maximum Output Current $I_{SINK}$		mADC	50			50			50		
Maximum Output Leakage Current	$V_{OUT} = \text{Max.}$	mA	10			10			10		
Maximum Output Voltage Drop	$I_{SINK} = 50\text{mA}$	VDC	0.2			0.2			0.2		
Logic Supply Voltage $V_{CC}$		VDC	3	5	6	12	15	18	20	24	30
Maximum Logic Supply Current	$V_{CC} = \text{Max.}$	mADC	15			15			15		
Turn-On Time (Nominal)	$I_{SINK} = 25\text{mA}$	ms	20			20			20		
Turn-Off Time (Nominal)	$I_{SINK} = 25\text{mA}$	ms	30			30			30		
Output Type (Open Collector)			Normally Open (SINKING)			Normally Open (SINKING)			Normally Open (SINKING)		

**IACM Operating Diagram**



**Outline Dimensions**



# Mouser Electronics

Authorized Distributor

Click to View Pricing, Inventory, Delivery & Lifecycle Information:

[TE Connectivity:](#)

[OACM-5](#)