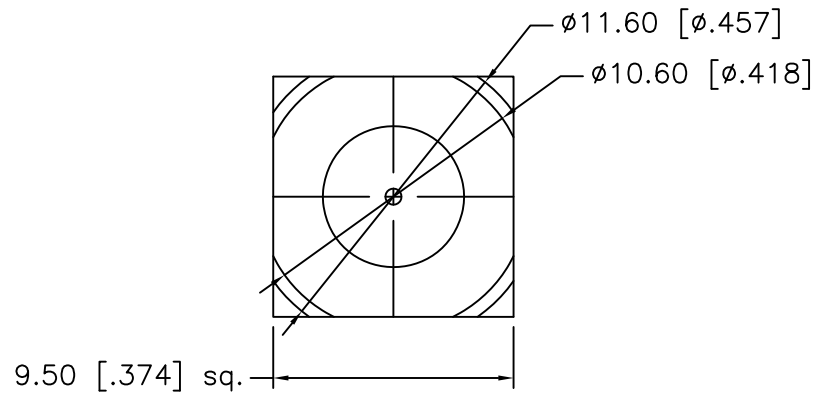
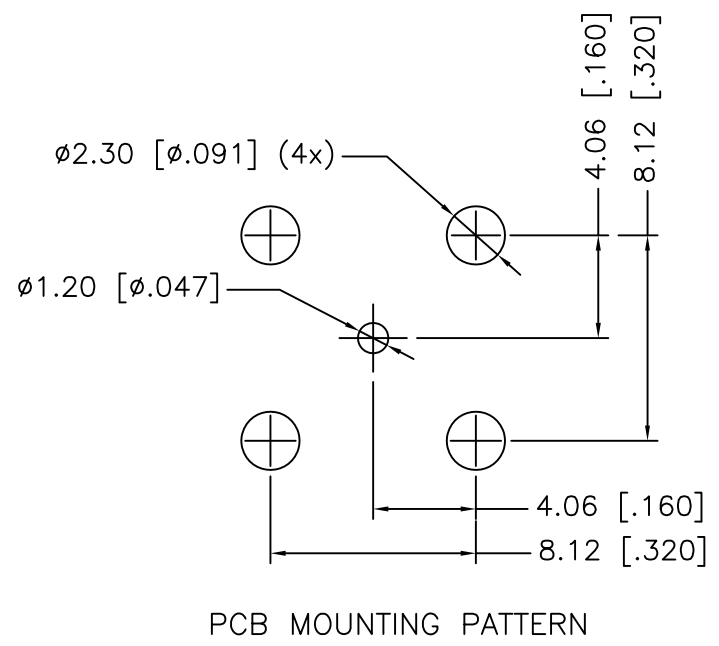
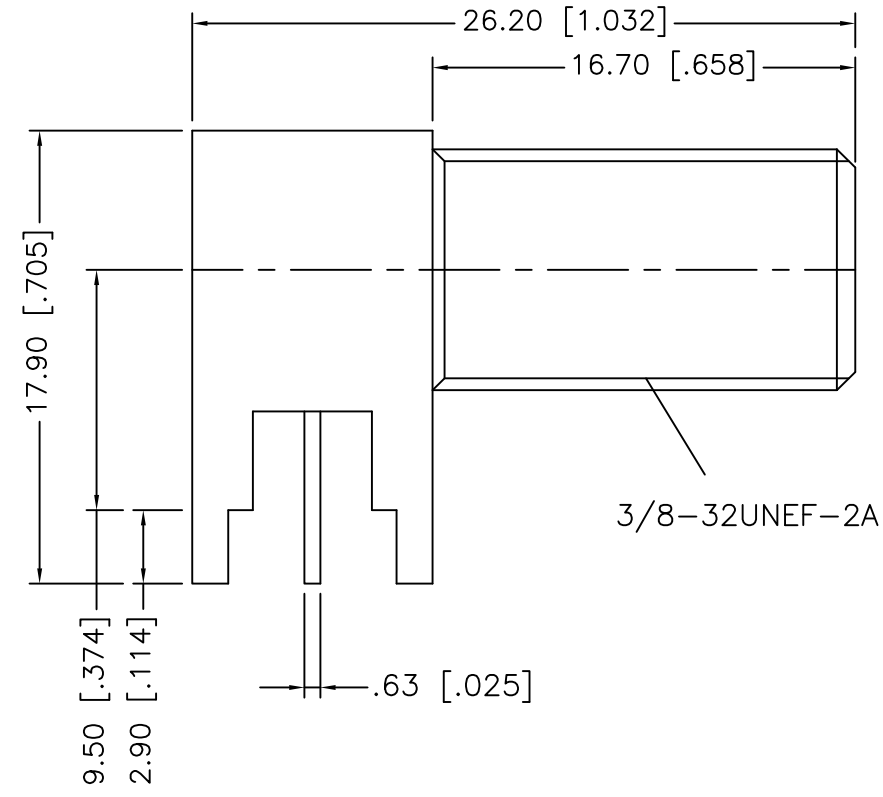


| REV. | DATE | ECR NO. | DESCRIPTION |
|------|----------|---------|---|
| A | 09/22/99 | - | ADD REFERANCE NO. 51-0838 |
| B | 05/14/06 | - | MODIFY BODY AND CONTACT PLATING TO BRT. TIN |
| C | 05/20/08 | - | REVISE BODY PLATING TO NICKEL, CONTACT PLATING TO MATTE TIN |
| D | 01/22/15 | 2858 | ADDED NOTE 3 & 4, NOTE 2 WAS REF: 51-0838 |



- NOTE:
- CONTACT PLATING: BRIGHT TIN PL. 200 MIN. THICK OVER NICKEL PL. 50 MIN. THICK OVER COPPER PL. 100 MIN. THICK.
 - BODY PLATING: NICKEL PLATE 100 MIN. OVER COPPER PLATE 50 MIN.
 - NOT SUITABLE FOR REFLOW SOLDER PROCESSING, HAND OR WAVE SOLDER ONLY.
 - VSWR: 1.500 MAX (DC-1.0 GHZ)

| REV. | DATE | ECR NO. | DESCRIPTION |
|------|--------------|----------|-------------|
| 8 | | | |
| 7 | | | |
| 6 | | | |
| 5 | | | |
| 4 | INSULATOR | DELRIN | NATURAL 1 |
| 3 | CONTACT PIN | BRASS | MATTE TIN 2 |
| 2 | INSULATOR | P.P. | NATURAL 1 |
| 1 | HOUSING/BODY | BRASS | NICKEL 1 |
| | DESCRIPTION | MATERIAL | FINISH QTY |

| | | | | |
|--|--|-------------------|----------|---|
| UNLESS OTHERWISE SPECIFIED DIMENSIONS ARE IN MILLIMETERS. DIMENSIONS IN [] ARE IN INCHES AND FOR CUSTOMER REFERENCE ONLY. | | APPROVALS | DATE | <h1 style="text-align: center;">Amphenol Connex</h1> <p style="text-align: center;">PART DESCRIPTION</p> <h2 style="text-align: center;">F SERIES R/A P.C. MOUNT RECEPTACLE</h2> <p style="text-align: center;">-</p> <p style="text-align: center;">PART NO. 222131</p> |
| UNLESS OTHERWISE SPECIFIED TOLERANCES FOR MILLIMETERS ARE: | | DRAWN G.R.S. | 05/20/08 | |
| 0.5 - 8mm ± 0.20mm | | CHECKED | | |
| 8 - 30mm ± 0.40mm | | ISSUED | | |
| 30 - 120mm ± 0.50mm | | SHEET 1 OF 1 | | |
| UNLESS OTHERWISE SPECIFIED TOLERANCES FOR INCHES ARE: | | CAD FILE | | DWG. NO. 222131.DWG |
| .020 - .315 = ± 0.007" | | C:/222/222131.DWG | | REV. D |
| .315 - 1.180 = ± 0.015" | | | | SIZE A |
| 1.180 - 4.724 = ± 0.020" | | | | SCALE NA |
| DO NOT SCALE DRAWING | | | | |

Mouser Electronics

Authorized Distributor

Click to View Pricing, Inventory, Delivery & Lifecycle Information:

[Amphenol:](#)

[222131](#)