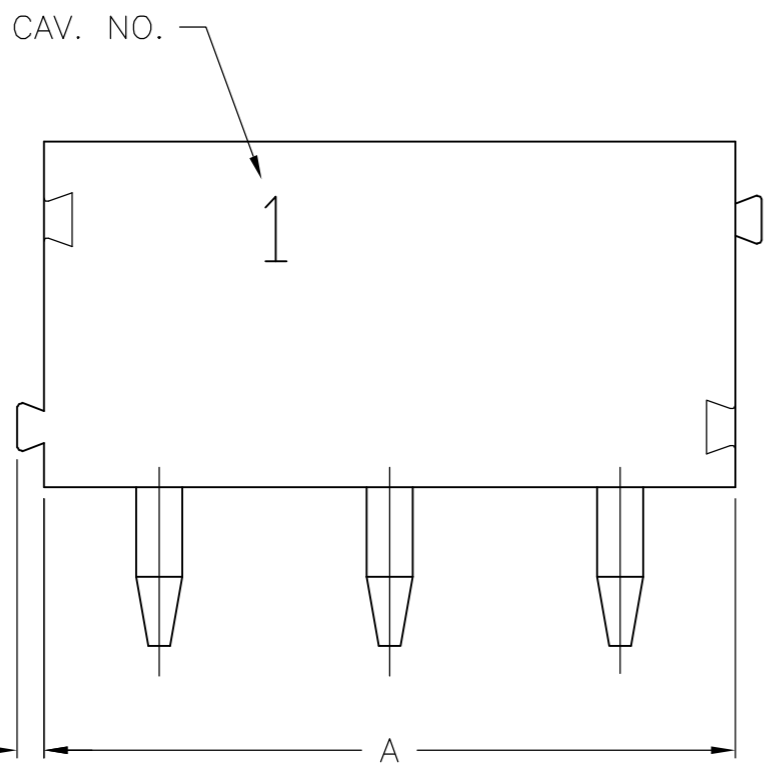
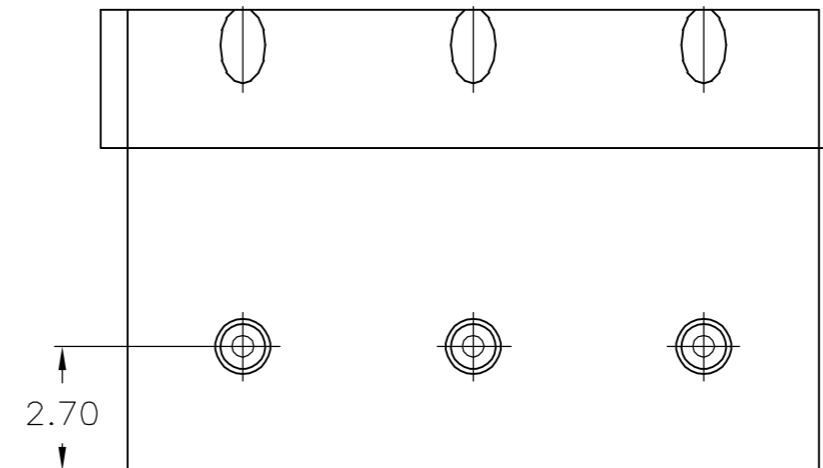
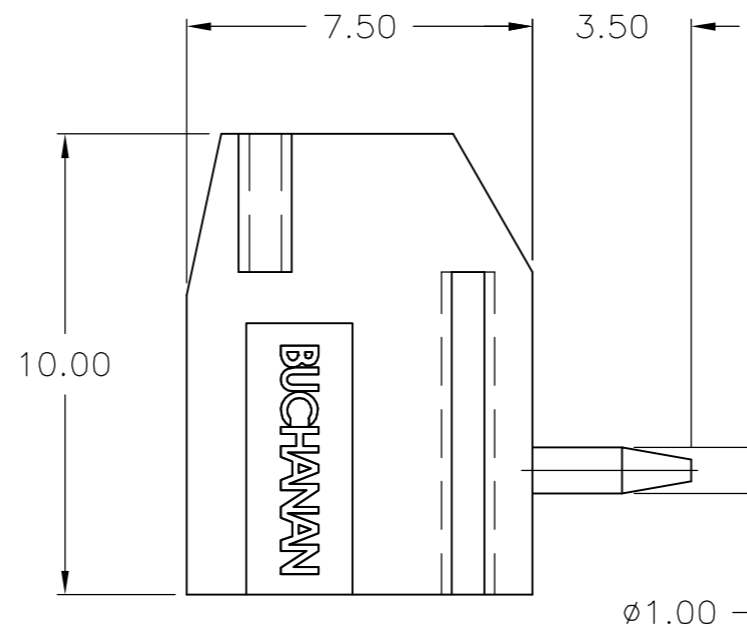
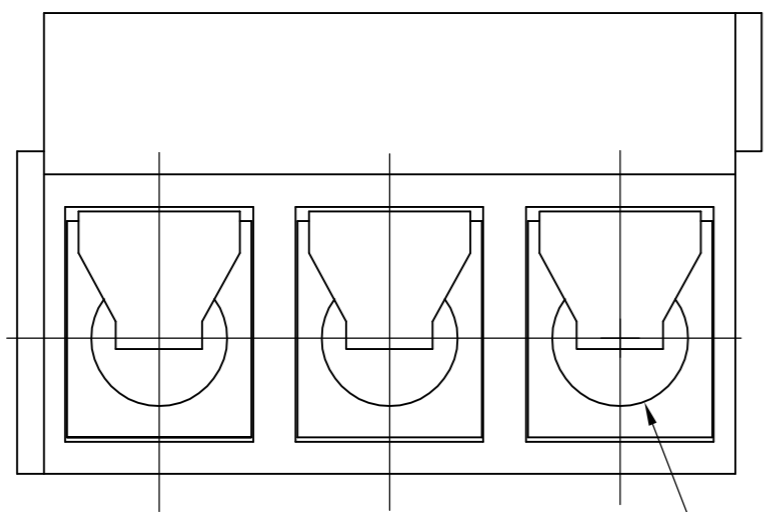
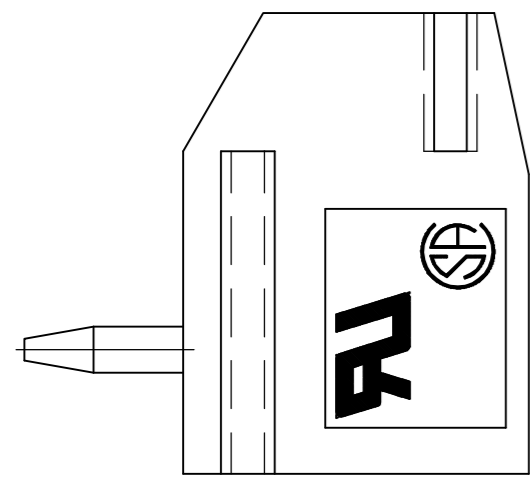
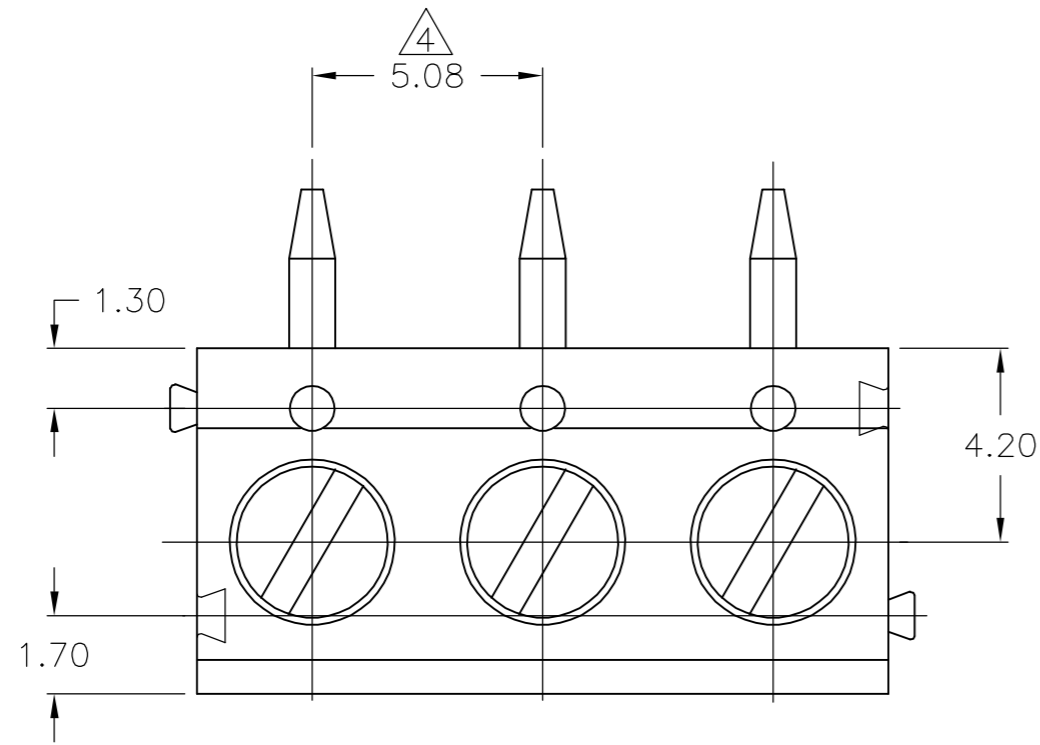


THIS DRAWING IS UNPUBLISHED. RELEASED FOR PUBLICATION
 © COPYRIGHT BY TYCO ELECTRONICS CORPORATION. ALL RIGHTS RESERVED.

Loc		DIST		REVISIONS			
P	LTR	DESCRIPTION		DATE	DWN	APVD	
	01	REVISED PER ECO-06-29186		12/13/06	SS	CR	

1. ALL DIMENSIONS ARE IN MM.
 2. RECOMMENDED PC-BOARD-HOLES DIAMETER: $\phi 1.20\text{mm}$ to 1.40mm.
 3. BUCHANAN LOGO TO APPEAR ON HOUSING LOCATION OPTIONAL WHERE SPACE PERMITS.
- $\triangle 4$ NON CUMULATIVE.



1776257-3 AS SHOWN

121.92	24	2-1776257-4
116.84	23	2-1776257-3
111.76	22	2-1776257-2
106.68	21	2-1776257-1
101.60	20	2-1776257-0
96.52	19	1-1776257-9
91.44	18	1-1776257-8
86.36	17	1-1776257-7
81.28	16	1-1776257-6
76.20	15	1-1776257-5
71.12	14	1-1776257-4
66.04	13	1-1776257-3
60.96	12	1-1776257-2
55.88	11	1-1776257-1
50.80	10	1-1776257-0
45.72	9	1776257-9
40.64	8	1776257-8
35.56	7	1776257-7
30.48	6	1776257-6
25.40	5	1776257-5
20.32	4	1776257-4
15.24	3	1776257-3
10.16	2	1776257-2
DIM A	NO OF POS	PART NO.

THIS DRAWING IS A CONTROLLED DOCUMENT.		DWN	S SCHLEGEL	5/6/05	Tyco Electronics Corporation Harrisburg, Pa 17105-3608			
DIMENSIONS: mm		CHK	C RICHARD	5/6/05				
TOLERANCES UNLESS OTHERWISE SPECIFIED:		APVD	C RICHARD	5/6/05	NAME TERMINAL BLOCK PCB MOUNT, TOP WIRE ENTRY, LOW PROFILE, W/ INTERLOCK 5.08mm PITCH, HIGH TEMP			
0 PLC ± -		PRODUCT SPEC						
1 PLC ± 0.3		APPLICATION SPEC			SIZE	CAGE CODE	DRAWING NO	RESTRICTED TO
2 PLC ± 0.25		WEIGHT			A2	00779	C=1776257	-
3 PLC ± -		CUSTOMER DRAWING			SCALE	SHEET	OF	REV
4 PLC ± -					6:1	1	2	01
ANGLES ± -								
FINISH								

THIS DRAWING IS UNPUBLISHED. RELEASED FOR PUBLICATION
 © COPYRIGHT BY TYCO ELECTRONICS CORPORATION. ALL RIGHTS RESERVED.

LOC	DIST	REVISIONS					
FT	0	P	LTR	DESCRIPTION	DATE	DWN	APVD
		-		SEE SHEET 1	-	-	-

1. Application and Features:

- 1-1. Standard sizes are 2 and 3 way-blocks, but every number of contact can be combined, by simply plugging them together and can be ordered as required**
- 1-2. With wire guard for wire protection (for that the screw doesn't press directly on the wire)

2-3. Mechanical:

- 2-3-1. Torque: 4 Kg.cm (Max).
- 2-3-2. Operating temperature: -55°C to +105°C.
- 2-3-3. Solderability: 95% coverage (min).


2. Technical Data:

2-1. Material:

- 2-1-1. HOUSING: NYLON 6.6 UL 94 V-0 (Blue).
- 2-1-2. Metal Housing: Brass(Cu Zn)
Cu,Tin plated.
- 2-1-3. Wire guard: Stainless steel.
- 2-1-4. Screw: Steel galvanized and chromated, M2.6

2-2. Electrical:

- 2-2-1. Current rating: 10 Amps/way max.
- 2-2-2. Contact resistance: 20mΩ (Max).
- 2-2-3. Insulation resistance: 5000MΩ /1000V.
- 2-2-4. Withstanding Voltage: 1500VAC (1min).
test time =60sec/1pcs
- 2-2-5. Operation Voltage: 300 VAC.
- 2-2-6. Wire Range: 14-22 AWG.

THIS DRAWING IS A CONTROLLED DOCUMENT.		DWN	S	SCHLEGEL	5/6/05	 Tyco Electronics Corporation Harrisburg, Pa 17105-3608																	
DIMENSIONS: mm		CHK	C	RICHARD	5/6/05																		
TOLERANCES UNLESS OTHERWISE SPECIFIED:		APVD	C	RICHARD	5/6/05																		
<table border="0"> <tr><td>0 PLC</td><td>±</td><td>-</td></tr> <tr><td>1 PLC</td><td>±</td><td>0.3</td></tr> <tr><td>2 PLC</td><td>±</td><td>0.25</td></tr> <tr><td>3 PLC</td><td>±</td><td>-</td></tr> <tr><td>4 PLC</td><td>±</td><td>-</td></tr> <tr><td>ANGLES</td><td>±</td><td>-</td></tr> </table>		0 PLC	±	-	1 PLC		±	0.3	2 PLC	±	0.25	3 PLC	±	-	4 PLC	±	-	ANGLES	±	-	PRODUCT SPEC		NAME
0 PLC	±	-																					
1 PLC	±	0.3																					
2 PLC	±	0.25																					
3 PLC	±	-																					
4 PLC	±	-																					
ANGLES	±	-																					
MATERIAL		APPLICATION SPEC		TERMINAL BLOCK PCB MOUNT, TOP WIRE ENTRY, LOW PROFILE, W/ INTERLOCK 5.08mm PITCH, HIGH TEMP																			
FINISH		WEIGHT		SIZE	CAGE CODE	DRAWING NO	RESTRICTED TO																
-		-		A2	00779	C=1776257	-																
CUSTOMER DRAWING				SCALE	6:1	SHEET	2 OF 2																
				REV	01																		

1776257

Mouser Electronics

Authorized Distributor

Click to View Pricing, Inventory, Delivery & Lifecycle Information:

[TE Connectivity:](#)

[1776257-7](#)