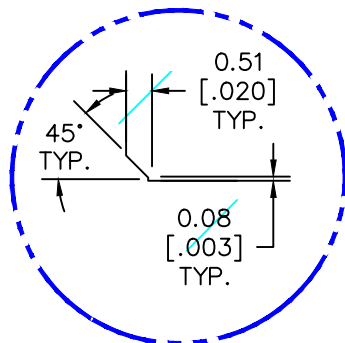


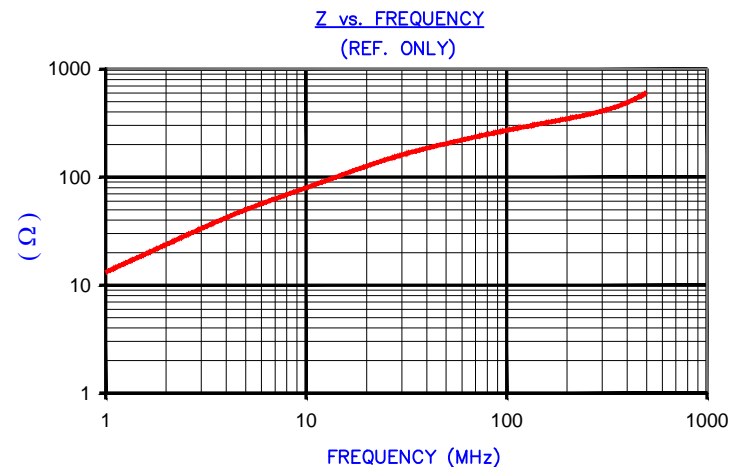
SECTION A-A

SEE DETAIL "A"



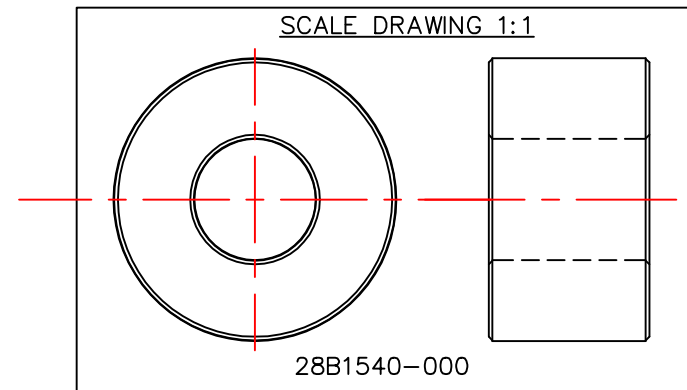
CHAMFER  
DETAIL "A"  
SCALE: 6:1

IMPEDANCE ( Z )			
Frequency	25 MHz	100 MHz	300 MHz
Nominal (REF)	130 Ω	254 Ω	405 Ω
Minimum	- Ω	203 Ω	- Ω



AGILENT E4991A Impedance/Material Analyzer  
HP 16092A Test Fixture

**UNCONTROLLED  
DOCUMENT**



NOTES: UNLESS OTHERWISE SPECIFIED

1. COSMETIC SPECIFICATION REFER TO WI-QA-038.

FERRITE CORE DIMENSIONS (SPEC): mm [in.]

A 39.12 [1.540] ± 0.78 [.030]

B 16.76 [.660] ± 0.33 [.013]

C 22.22 [.875] ± 0.56 [.022]

WEIGHT/1000 107.63 kgs [237.28 Lbs]

DIMENSIONS ARE IN mm [INCHES].				This print is the property of Laird Tech. and is loaned in confidence subject to return upon request and with the understanding that no copies shall be made without the written consent of Laird Tech. All rights to design or invention are reserved.		<b>Laird</b>	
E	UPDATE COMPANY LOGO	12/28/12	QIU	PROJECT/PART NUMBER: <b>28B1540-000</b>	REV <b>E</b>	DRAWN BY: LNK	MATERIAL: <b>FERRITE</b>
D	UPDATE COMPANY LOGO	05/09/07	TMB				
C	CHANGE PRINT FORMAT CHANGE Z SPECS ADD CURVE DETAIL A & UPDATE WEIGHT UPDATE PART PROFILE REMOVE ISO VIEW ADJUST A, B & C DIMENSION TOLERANCES	07/22/03	TMB	DATE: 12/29/92	SCALE: 1.5 : 1		
B	REACTIVATE PRINT UPDATE PRINT FORMAT, REVISE Z SPECS & WEIGHT, ADD ISOMETRIC VIEW REMOVED NOTES	11/22/00	TMB	CAD # 28B1540-000-E	TOOL # B1540		
A	CAD PRINT	12/29/92	LNK				
REV	DESCRIPTION	DATE	INT				

# Mouser Electronics

Authorized Distributor

Click to View Pricing, Inventory, Delivery & Lifecycle Information:

Laird:

[28B1540-000](#)