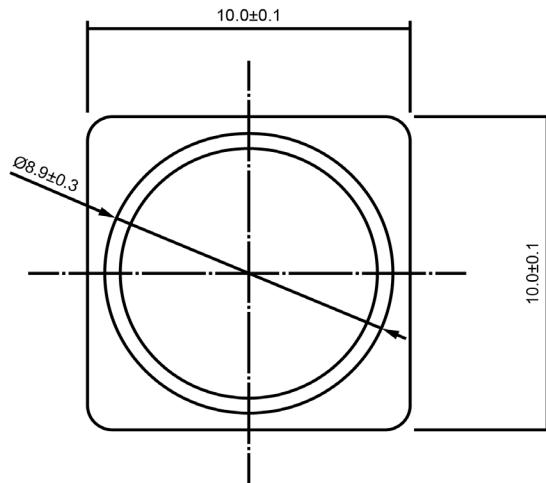
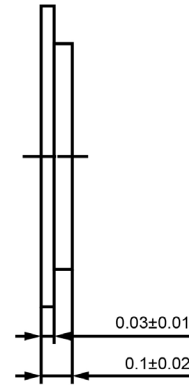


### TOP VIEW



### SIDE VIEW



### Specifications

Description	Value	Unit
Resonant Frequency	4,500	(Hz)
Resonant Impedance (Max)	800	(Ohm)
Max Input Voltage	30	(V)
Capacitance	15,000	(pF)
Plate Material	Alloy	
Operating Temperature	-20 ~ +80	°C
Storage Temperature	-20 ~ +80	°C

### Notes

- 1) All dimensions are in mm unless otherwise noted
- 2) All parts meet RoHS



### Revision History

Version	Description	Date	Approved		
1	Released from Engineering	10/21/2013	J.S		
Drawn by	Date	Checked by	Date	Approved by	Date
A.B.	10/21/2013	C.E.	10/21/2013	J.S	10/21/2013

Piezo Bender

**P10045-1**

# Mouser Electronics

Authorized Distributor

Click to View Pricing, Inventory, Delivery & Lifecycle Information:

[DB Unlimited:](#)

[P10045-1](#)