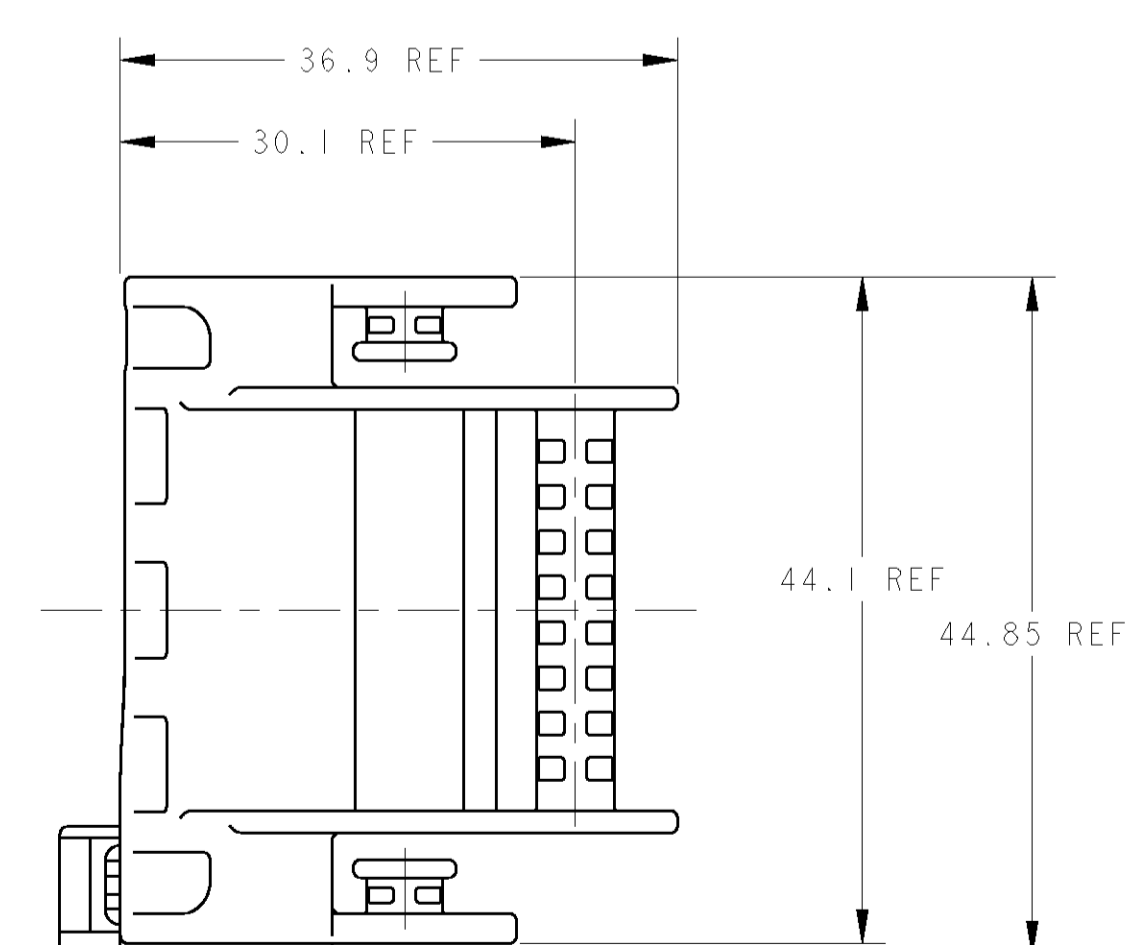
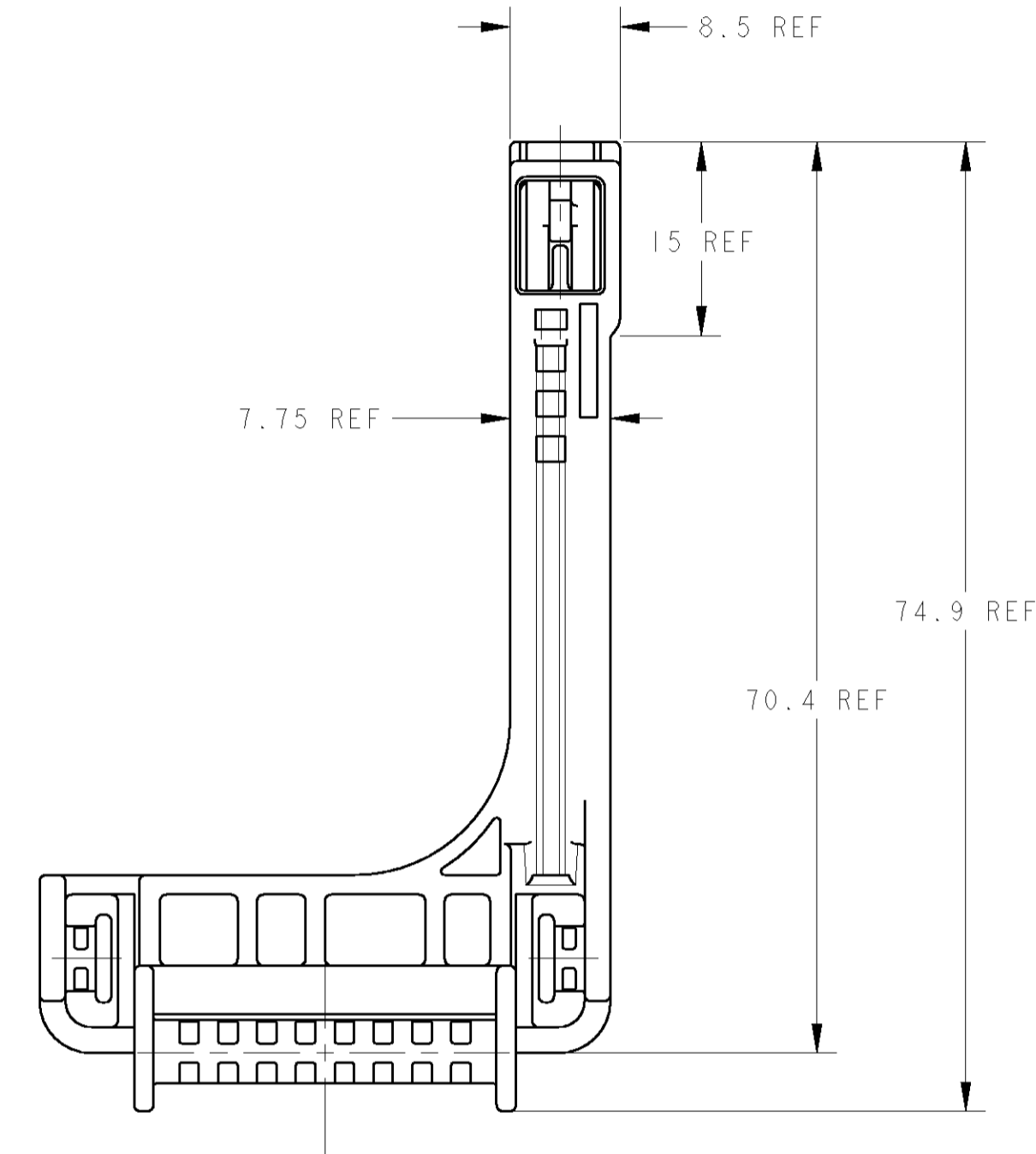
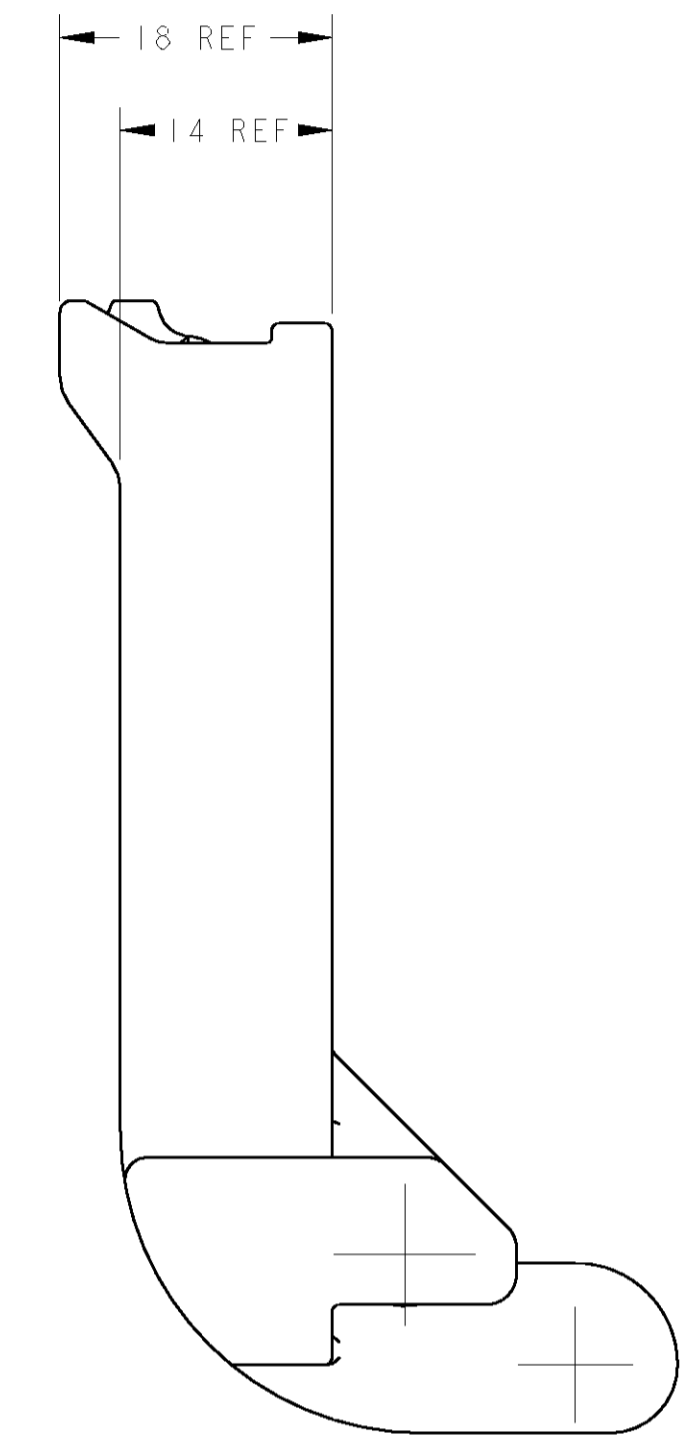
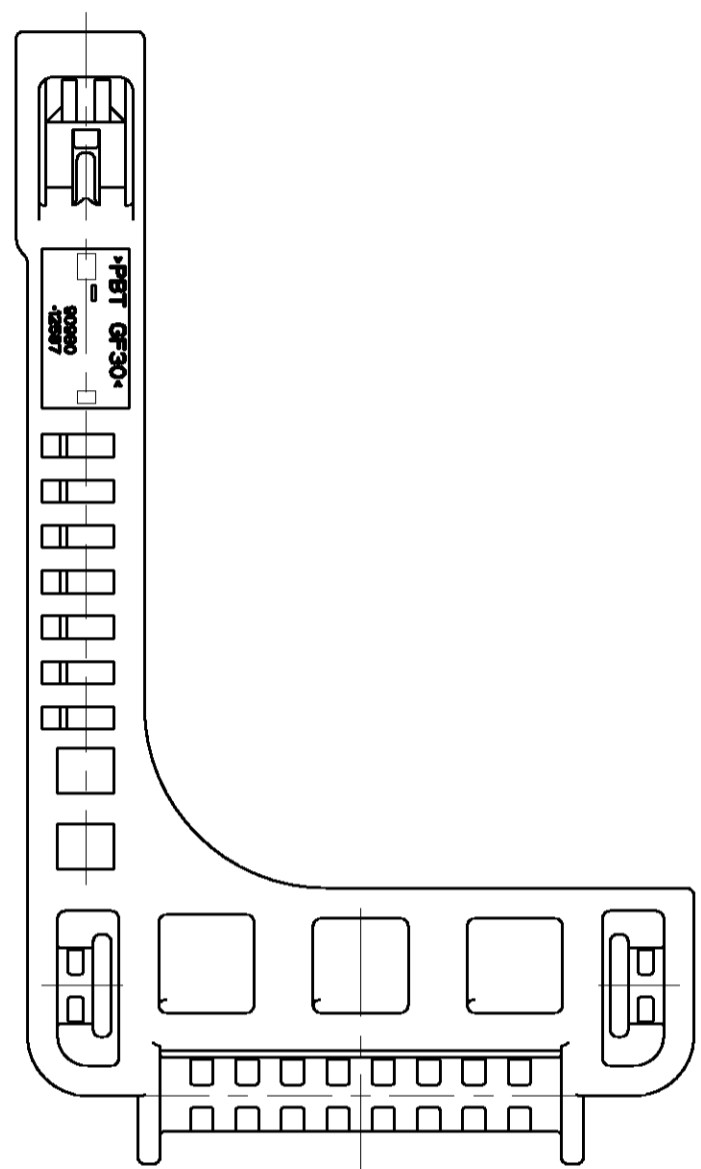


REV. NO.		REVISIONS				
LOC	DISC	REV	DESCRIPTION	DATE	DWN	APVD
J	-	A	RELEASED	11MAY06	SS	SI
		B	REVISED	ECR-07-018843	26SEP07	SS HY



- MATING CONNECTOR IS:
TYCO ELECTRONICS P/N:1747137/1827015
 - HANDLING OF THIS PART SHOULD FOLLOW
INSTRUCTION SHEET NO.411-78084.
 - ASSEMBLED BY CUSTOMER.
- 適合相手部品:
TYCO ELECTRONICS P/N:1747137/1827015
 - 本製品の取扱は取扱説明書NO.411-78084に従うこと。
 - シフトは顧客にて組み立てられる。

PAPER BOX ダンボール箱	PLASTIC BAG ビニール袋	GRAY	1747139-1
OUTER 外装	INNER 内装	COLOR	P/N
PACKING STYLE 梱包形態			

DIMENSIONS: mm		TOLERANCES UNLESS OTHERWISE SPECIFIED: mm		DWN S. SHISHIKURA 11MAY06		CHK K. SAKAMAKI 11MAY06		APVD S. ISOHATA 11MAY06		NAME Tyco Electronics AMP K.K. Kawasaki, Japan	
3-PLC ±0.3		4-PLC ±0.001		PRODUCT SPEC 108-5891		APPLICATION SPEC		SIZE A 00779		DRAWING NO C=1747139	
MATERIAL PBT		FINISH SEE TABLE		WEIGHT 16.6 g		CUSTOMER DRAWING		SCALE 2:1		SHEET 1 OF 1	

Mouser Electronics

Authorized Distributor

Click to View Pricing, Inventory, Delivery & Lifecycle Information:

[TE Connectivity:](#)

[1747139-1](#)