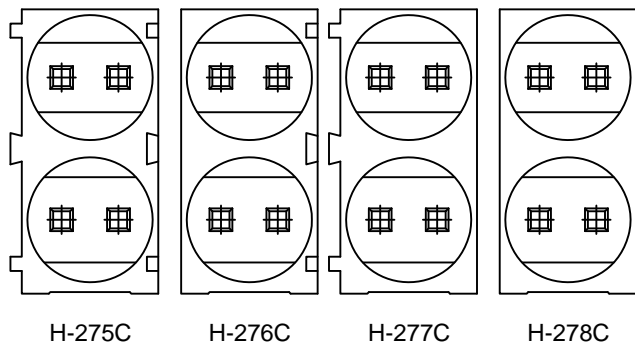
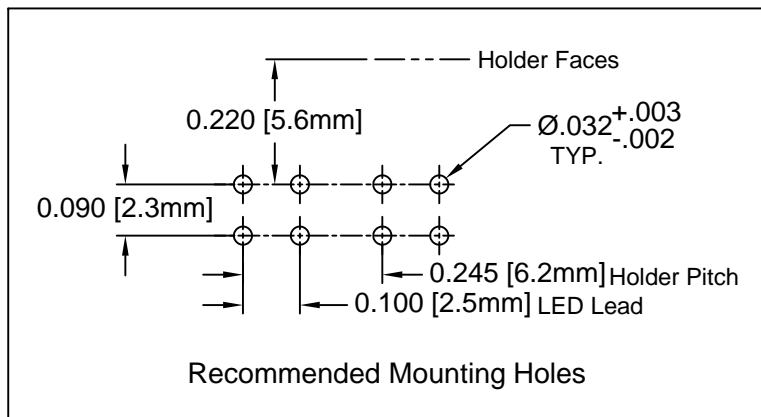
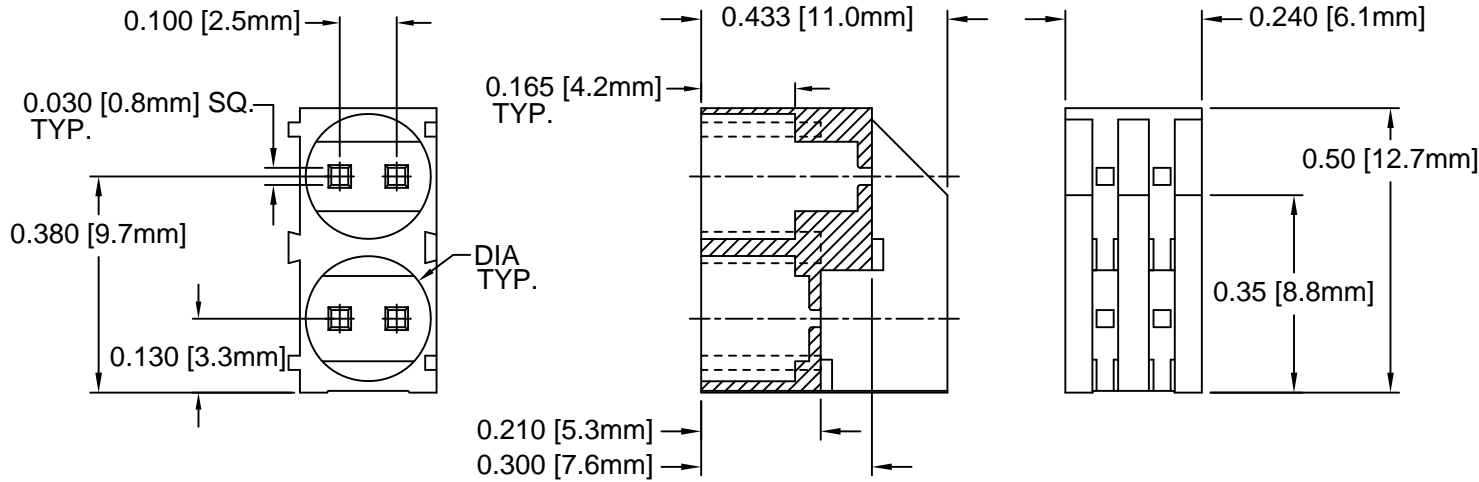


REV.	DESCRIPTION	DATE	APPROVED
D	Engineering Update w/o Changes	02/27/04	M. C.
E	Add [-2] version to the series	04/13/06	M. C.
F	-1 version Obsolete	10/04/07	M. C.
G	Updated (0.50") Height Dimension	03/04/08	M. C.
H	Removed Material Code	05/28/16	J. C.



PART NO.				DIA
H-275C SERIES	H-276C SERIES	H-277C SERIES	H-278C SERIES	
H-275C-2	H-276C-2	H-277C-2	H-278C-2	.206 [5.23mm]

STANDARD TOLERANCE (UNLESS OTHERWISE SPECIFIED) DECIMALS .X ± .1 .XX ± .01 .XXX ± .005	ANGULAR X° ± 1°			4 THOMAS, IRVINE, CA. 92618 TEL: (949) 951-8808 FAX: (949) 951-3974	
				TITLE: BI-LEVEL T-1¼ (5mm) LED HOLDER INTERLOCKING VARIABLE INSIDE DIAMETER	
DESIGNED: <b>M. Chen</b>	DATE: <b>03/31/03</b>	PART NO: <b>H-27XC-X</b>		REVISION: <b>H</b>	
CHECKED: <b>D. Green</b>	DATE: <b>03/31/03</b>	CAGE CODE : 32559		SHEET # 1 OF 1	
CAD GENERATED DOCUMENT. DO NOT MEASURE DRAWING.					

2. MATERIAL: NYLON 6/6, 94V-0, BLACK.
1. GENERAL SPECIFICATIONS: BIVAR MOLDED COMPONENT SPECIFICATION BV00-E101.

# Mouser Electronics

Authorized Distributor

Click to View Pricing, Inventory, Delivery & Lifecycle Information:

[BIVAR:](#)

[H-275C](#) [H-275C-2](#) [H-276C](#) [H-276C-2](#) [H-277C](#) [H-277C-2](#) [H-278C](#) [H-278C-2](#)