

THIS DRAWING IS UNPUBLISHED. RELEASED FOR PUBLICATION
 © COPYRIGHT BY TYCO ELECTRONICS CORPORATION. ALL RIGHTS RESERVED.

LOC		DIST		REVISIONS			
P	LTR	DESCRIPTION	DATE	DWN	APVD		
FT	0						
01		REVISED PER ECO-06-16575	7/12/06	SS	SRY		

NOTES:
 ⚠ MATERIAL: .032 THICK, BRASS, TEMPERED.
 ⚠ FINISH: BRIGHT TIN PLATE.

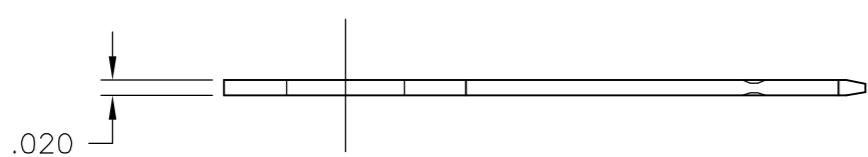
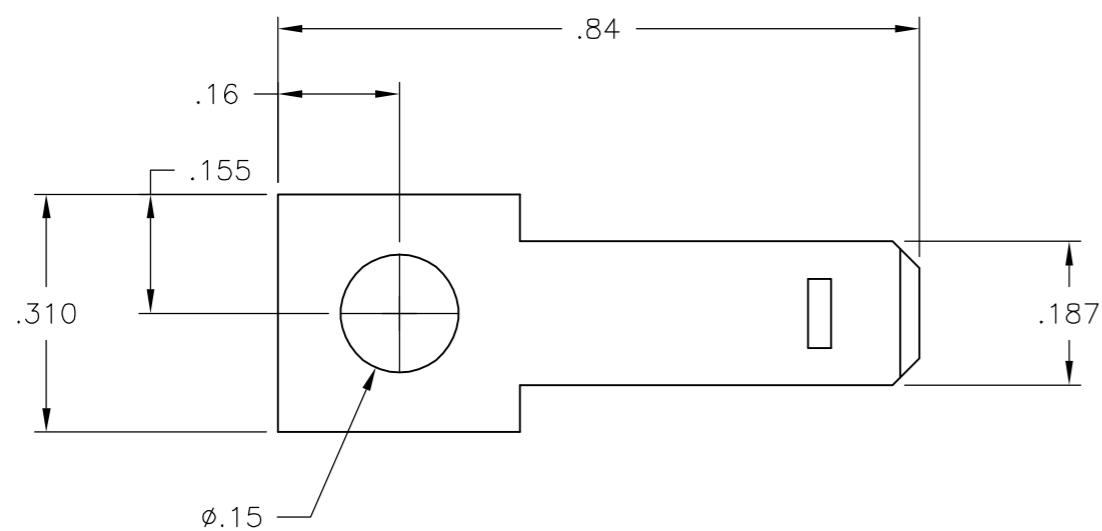


FIGURE 1

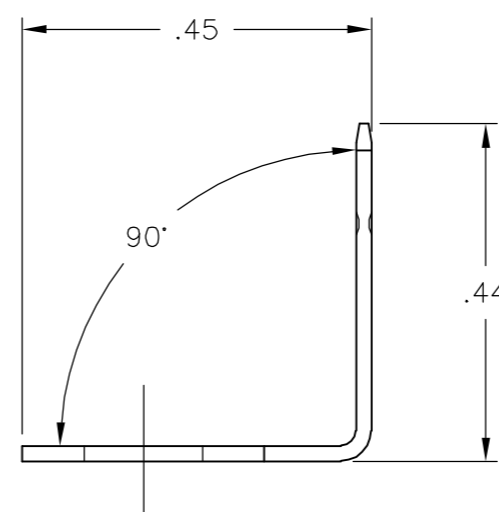
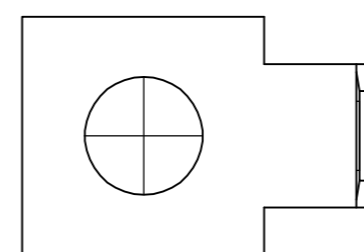


FIGURE 2

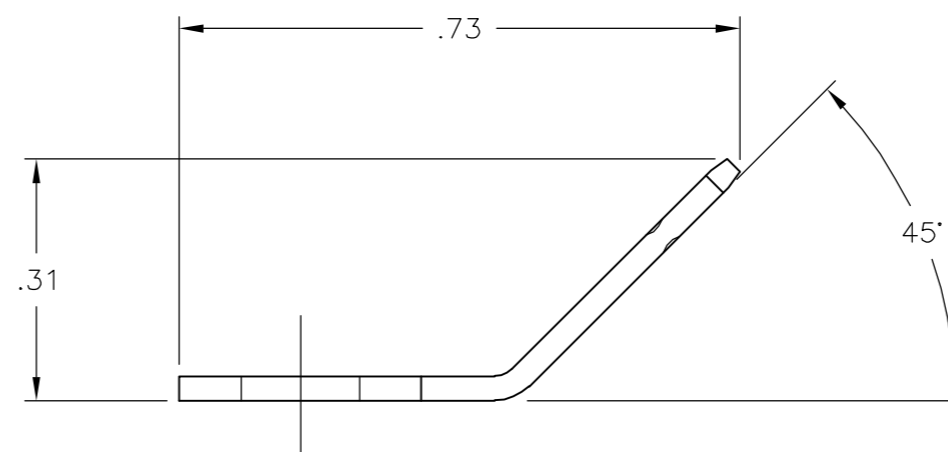
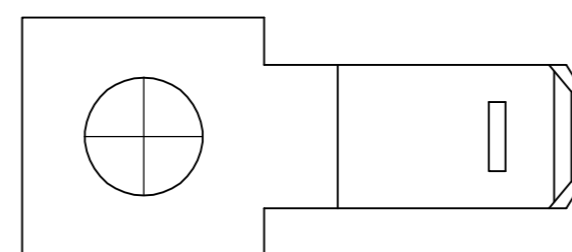


FIGURE 3

FIGURE	CATALOG NO.	PART NO.
FIGURE 3	QC6-45-3	6-1437644-2
FIGURE 2	QC6-90-3	6-1437644-5
FIGURE 1	QC6-180-3	5-1437644-8

THIS DRAWING IS A CONTROLLED DOCUMENT.		DWN	S SCHLEGEL	07NOV03	Tyco Electronics Corporation Harrisburg, PA 17105-3608				
DIMENSIONS: INCHES		CHK	S YODER	11/7/03					
TOLERANCES UNLESS OTHERWISE SPECIFIED:		APVD	S YODER	11/7/03					
0 PLC ± - 1 PLC ± - 2 PLC ± .01 3 PLC ± .005 4 PLC ± - ANGLES ± 1°		PRODUCT SPEC		NAME		6 SERIES, .187 WIDE QC TABS			
MATERIAL		FINISH		WEIGHT	SIZE	CAGE CODE	DRAWING NO	RESTRICTED TO	
-		-		-	A2	00779	5-1437644-8	-	
CUSTOMER DRAWING				SCALE	4:1	SHEET	1 of 1	REV	01

Mouser Electronics

Authorized Distributor

Click to View Pricing, Inventory, Delivery & Lifecycle Information:

[TE Connectivity:](#)

[QC6-45-3](#)