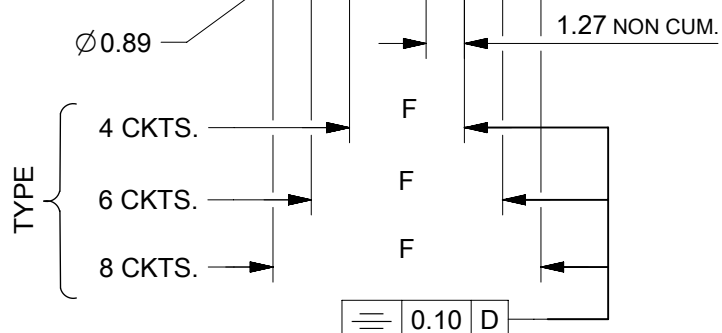
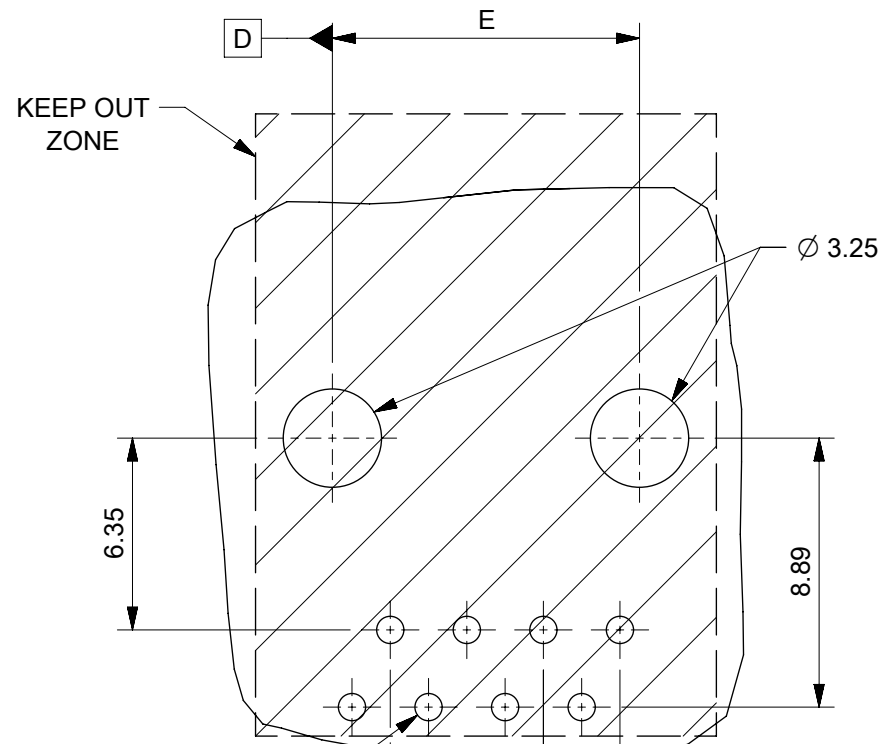
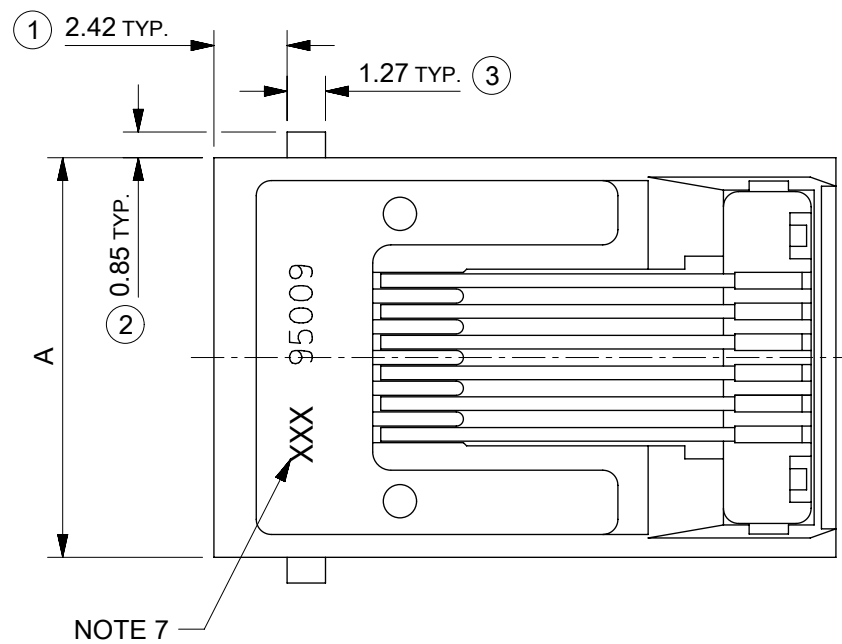
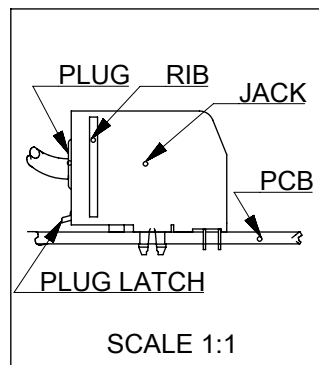


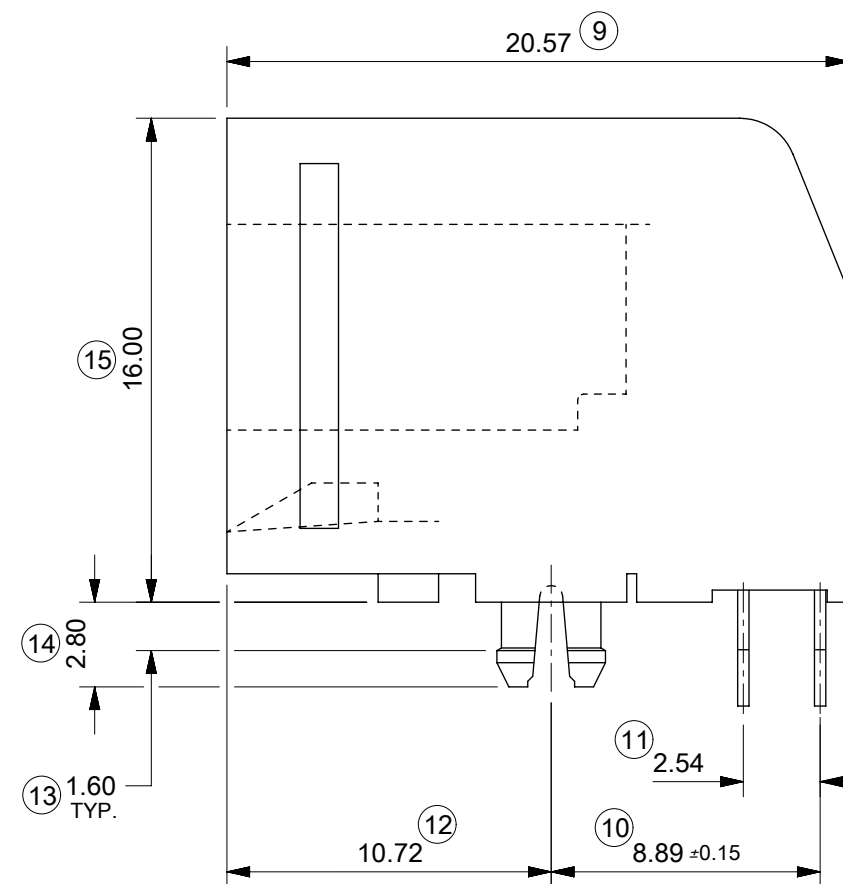
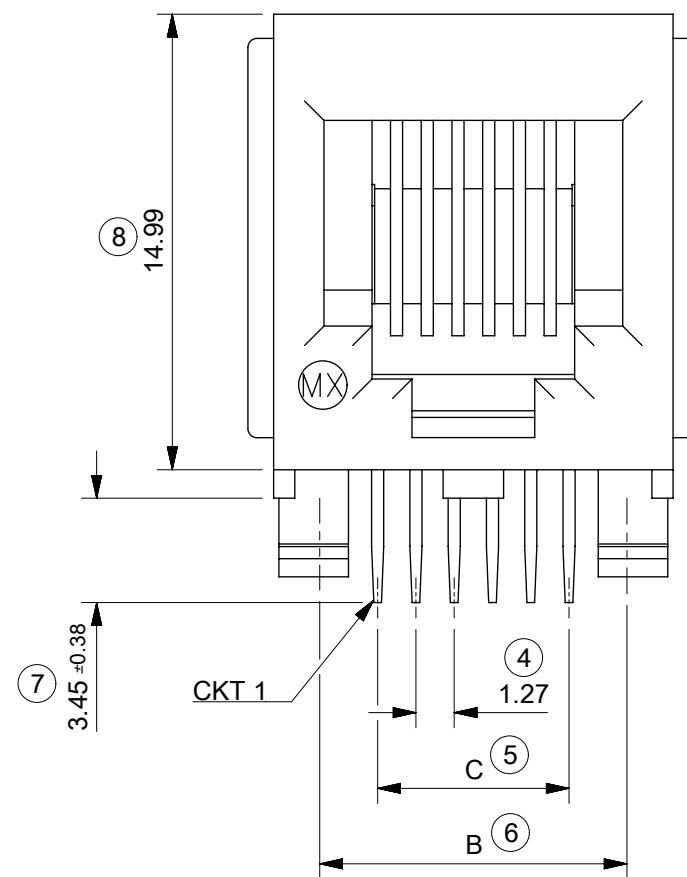
**NOTES:**

1. MATERIAL: POLYESTER FIBER GLASS FILLED UL 94-V0  
COLOR BLACK
- TERMINAL: COPPER ALLOY
- PLATINGS: BASE FINISH: NICKEL  
CONTACT SURFACE FINISH:  
GOLD  
OR  
GOLD FLASH OVER PALLADIUM NICKEL  
EXCEEDS PRODUCT REQUIREMENTS BASED ON PS-95009-001
2. PC BOARD THICKNESS: 1.57
3. JACK FOR MATING WITH IEC-60603-7 AND TIA-1096-A  
MOLEX 90075 SERIES PLUGS
4. PRODUCT SPECIFICATION PS-95009-001
5. APPLICATION SPECIFICATION AS-95001
6. PACKAGING SPECIFICATION PK-95029
7. MANUFACTURING I.D. CAN BE MXF, MG, MXI OR MXCH

INSPECTION NUMBERS USED: 1 - 50  
LAST INSPECTION NUMBER: 15

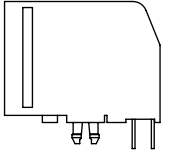


**MOUNTING HOLE PATTERNS**  
(SEE FROM COMPONENT SIDE)  
ALL DIMENSIONS REF DIMENSIONS

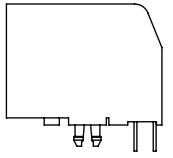


FUNCTIONAL SYMBOLS	THIS DRAWING CONTAINS INFORMATION THAT IS PROPRIETARY TO MOLEX ELECTRONIC TECHNOLOGIES, LLC AND SHOULD NOT BE USED WITHOUT WRITTEN PERMISSION									
	THIS DRAWING CONTAINS INFORMATION THAT IS PROPRIETARY TO MOLEX ELECTRONIC TECHNOLOGIES, LLC AND SHOULD NOT BE USED WITHOUT WRITTEN PERMISSION	SCALE			CURRENT REV DESC: ADD "MXCH" AS MANUFACTURING I.D. SEE NOTE 7.					
△/A = 0	mm	4:1	EC NO: 641518 DRWN: GWU15 CHK'D: KLANG APPR: KLANG INITIAL REVISION: DRWN: RFC_PLMIMP APPR: KNOLLER 2020/07/15 2020/08/25 2020/08/25 2018/11/02 2004/11/15							
△/E = 0	GENERAL TOLERANCES (UNLESS SPECIFIED)									
△/V = 0	ANGULAR TOL ± 0.5°									
DIVISIONAL SYMBOLS	4 PLACES ±									
	3 PLACES ±									
	2 PLACES ±	0.25	PRODUCT CUSTOMER DRAWING							
	1 PLACE ±	0.35	DOCUMENT NUMBER							
	0 PLACES ±		SDA-95009-F							
	DRAFT WHERE APPLICABLE MUST REMAIN WITHIN DIMENSIONS		THIRD ANGLE PROJECTION	DRAWING	SERIES	MATERIAL NUMBER	CUSTOMER	DOC TYPE	DOC PART	REVISION
				A3-SIZE	95009	SEE CHART	GENERAL MARKET	PSD	001	L1
										SHEET NUMBER
										1 OF 2

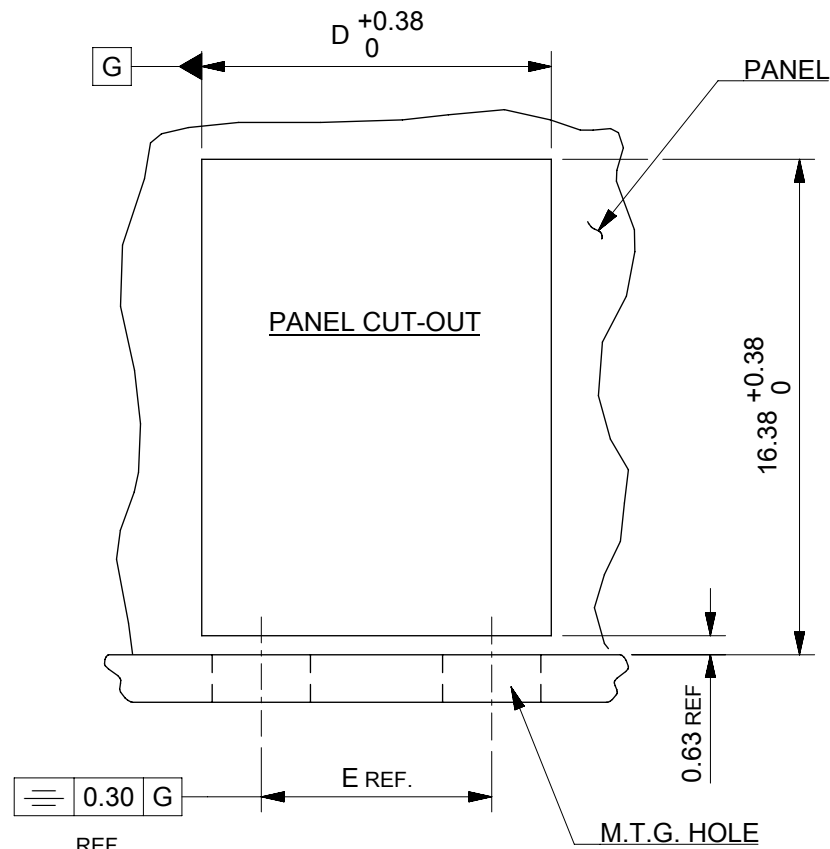
**PART NUMBERS FOR JACK WITH RIBS**

	TYPE		POS. 4	TOOLED	POS. 6	TOOLED	POS. 6	TOOLED	POS. 8	TOOLED
	PLATING		4 CKTS.		4 CKTS.		6 CKTS.		8 CKTS.	
		FINISH 7	95009-7441	X	95009-7641	X	95009-7661	X	95009-7881	X

**PART NUMBERS FOR JACK WITHOUT RIBS**

	TYPE		POS. 4	TOOLED	POS. 6	TOOLED	POS. 6	TOOLED	POS. 8	TOOLED
	PLATING		4 CKTS.		4 CKTS.		6 CKTS.		8 CKTS.	
		FINISH 7	N/A	X	95009-2647	X	95009-7667	X	95009-7887	X

**SUGGESTED BOARD LAYOUT**  
ALL DIMENSIONS ARE REFERENCE DIMENSIONS



TYPE	POS. 4	POS. 6		POS. 8
	4 CKTS.	4 CKTS.	6 CKTS.	8 CKTS.
PLATING				
A	11.18	13.21	13.21	15.24
B	7.62	10.16	10.16	11.43
C	3.81	3.81	6.35	8.89
D	11.56	13.59	13.59	15.62
E	7.62	10.16	10.16	11.43
F	3.81	3.81	6.35	8.89

**NOTES:**

INSPECTION NUMBERS USED: 51 - 100  
LAST INSPECTION NUMBER: 53

FUNCTIONAL SYMBOLS	THIS DRAWING CONTAINS INFORMATION THAT IS PROPRIETARY TO MOLEX ELECTRONIC TECHNOLOGIES, LLC AND SHOULD NOT BE USED WITHOUT WRITTEN PERMISSION		
	DIMENSION UNITS: <b>mm</b> SCALE: <b>4:1</b>	CURRENT REV DESC: ADD "MXCH" AS MANUFACTURING I.D. SEE NOTE 7.	
DIVISIONAL SYMBOLS	GENERAL TOLERANCES (UNLESS SPECIFIED) ANGULAR TOL ± 0.5°		
	4 PLACES ± 3 PLACES ± 2 PLACES ± 0.25 1 PLACE ± 0.35 0 PLACES ±	EC NO: 641518 DRWN: GWU15 CHK'D: KLANG APPR: KLANG	2020/07/15 2020/08/25 2020/08/25
DRAFT WHERE APPLICABLE MUST REMAIN WITHIN DIMENSIONS		THIRD ANGLE PROJECTION	DRAWING: <b>A3-SIZE</b> SERIES: <b>95009</b>
DOCUMENT NUMBER: <b>SDA-95009-F</b>		DOC TYPE: <b>PSD</b> DOC PART: <b>001</b> REVISION: <b>L1</b>	CUSTOMER: <b>GENERAL MARKET</b> SHEET NUMBER: <b>2 OF 2</b>

**molex**

FLUSH MOUNT RIGHT ANGLE  
MODULAR JACK ASSEMBLY THROUGH HOLE  
VERSION

PRODUCT CUSTOMER DRAWING