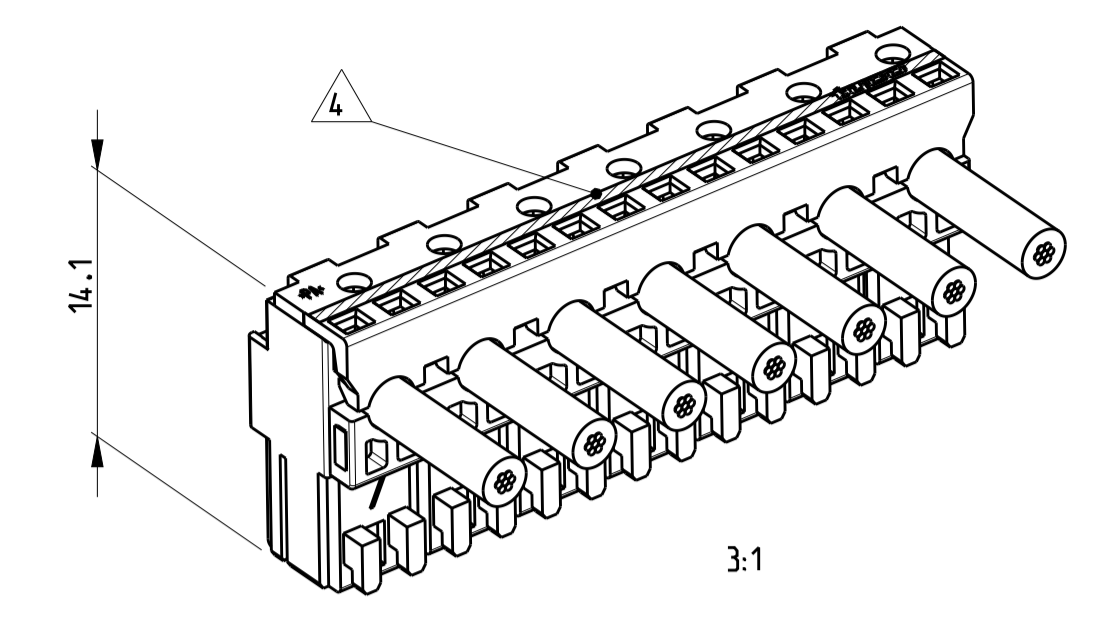


LOC	DIST	REVISIONS					
A1	-	P	LTR	DESCRIPTION	DATE	DWN	APVD
		B16	ECR-17-001383		23MAR2017	KD	RR
		B17	ECR-17-008665		14JUN2017	LZ	RR
		B18	ECR-18-009261		14JUN2018	W W	FL



- 27. SLOT FOR SIDE KEYING NARROW ON LAST CAVITY
 - 26. PRELIMINARY PART NOT RELEASED FOR PRODUCTION
 - 25. TE LOGO
 - 24. COLOUR MARKING IN THIS AREA. COLOUR SEE TABLE. Farbmarkierung in diesem Bereich. Farbe siehe Tabelle.
 - 23. X...CAVITY LOADED WITH CONTACT
O...CAVITY WITHOUT CONTACT
X...Kammer mit Kontakt bestückt
O...Kammer ohne Kontakt
 - 22. INCLUSIVE COPPER CLADDING. SINGLE OR DOUBLE SIDED
Inklusive Kupferkaschierung, ein oder doppelseitig
 - 21. PCB PREFERABLY CHAMFERED
Leiterplatte vorzugsweise angefast
 - 20. SLOT FOR ADDITIONAL KEYING RIB BETWEEN CAVITY NO.
Schlitz fuer zusätzliche Kodierrippe zwischen Kammer Nr.
 - 19. SLOT FOR SIDE KEYING NARROW AND REDUCED. ON CAVITY NO.1
Schlitz fuer Seitenkodierung, eng und reduziert, bei Kammer Nr. 1
 - 18. SLOT FOR SIDE KEYING. ON LAST CAVITY
Schlitz fuer Seitenkodierung, bei letzter Kammer
 - 17. SLOT FOR SIDE KEYING. ON CAVITY NO. 1
Schlitz fuer Seitenkodierung, bei Kammer Nr. 1
 - 16. IEC 60695-2-11 / IEC 60335-1 GLOW WIRE TEST 750 °C WITHOUT FLAME
IEC 60695-2-11 / IEC 60335-1 Gluehdrahttest 750 °C ohne Flamme
 - 14 - 15. -
 - 13. SIDE KEYING. SMALL AND HALF. ON CAVITY NO. 1
Seitenkodierung, schmal und halb, bei Kammer Nr. 1
 - 11 - 12. -
 - 10. SIDE KEYING. SMALL. ON LAST CAVITY
 - 9. -
 - 8. LOCKING HOOK BETWEEN CAVITY NO. ...
Rasthaken zwischen Kammernummer ...
 - 7. ADDITIONAL KEYING RIB BETWEEN CAVITY NO.
Zusätzliche Kodierrippe zwischen Kammer Nr.
 - 6. SIDE KEYING. ON LAST CAVITY
Seitenkodierung, bei letzter Kammer
 - 5. SIDE KEYING. ON CAVITY NO. 1
Seitenkodierung, bei Kammer Nr. 1
 - 4. COLOUR MARKING ON TOP OF HOUSING OPTIONAL ON TERMINATION MACHINE
Farbmarkierung auf Gehäuseoberseite optional an Verarbeitungsmaschine
- MATING PART: PCB ACCORDING SHEET 2 OF 2
Passender Gegenstecker: Leiterplatten siehe Blatt 2 von 2
- WIRE RANGE: 0.35-0.75 mm² ACCORDING TO APPLICATION SPEC 114-18996
Drahtgroessenbereich: 0.35 - 0.75 mm²; siehe Verarbeitungsspezifikation Nr.114-18996.
- KEYING RIBS; CUTTING WITH TERMINATION MACHINE POSSIBLE
Kodierrippe; Schneiden auf der Verarbeitungsmaschine moeglich

POS.	PN Betell-Nr.	DESCRIPTION Beschreibung	MATERIAL	COLOUR/FINISH Farbe/Oberflaeche
2	SEE TABLE	CONTACT	CuNiSi	TINNED/verzinkt
1	siehe Tabelle	HOUSING	PA6 GF 16	NATURE/natur

THIS DRAWING IS A CONTROLLED DOCUMENT.

DIMENSIONS: mm	TOLERANCES UNLESS OTHERWISE SPECIFIED:	DWN H. Altmann CHK B. Schnaubel APVD T. Klenner	01NOV2005 01NOV2005 01NOV2005
MATERIAL SEE TABLE	SEE TABLE	NAME T. Klenner	PRODUCT SPEC 108-18780 APPLICATION SPEC 114-18996
CUSTOMER DRAWING		SCALE 5:1	RESTRICTED TO SHEET 1 OF 3 REV B18

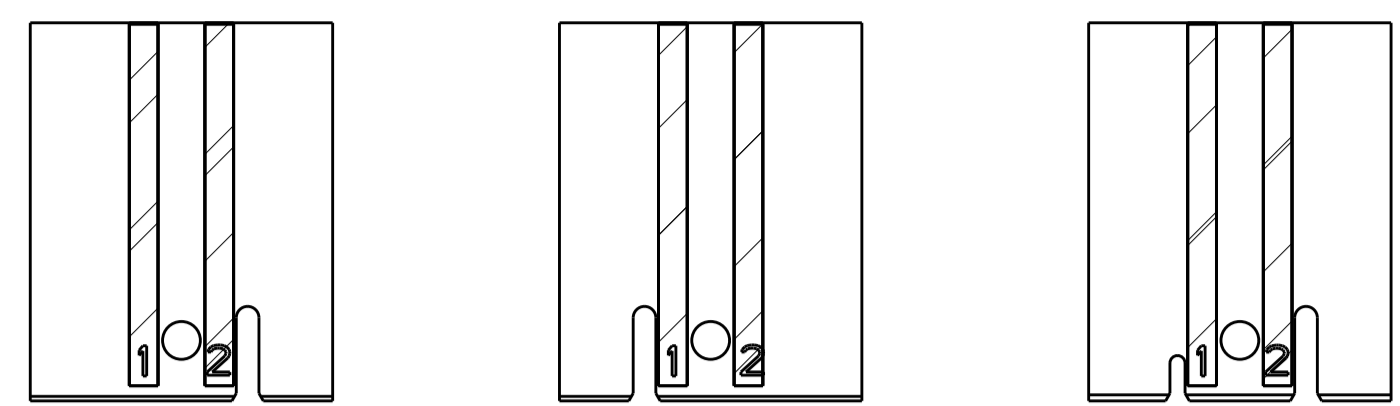
AMP DUOPLUG POWER FEMALE CONNECTOR 2-9 POSITION (WITH PCB LOCKING)

SIZE CAGE CODE DRAWING NO. 114-18996
WEIGHT -
CUSTOMER DRAWING

PCB LAYOUT
 Leiterplattenanschluss

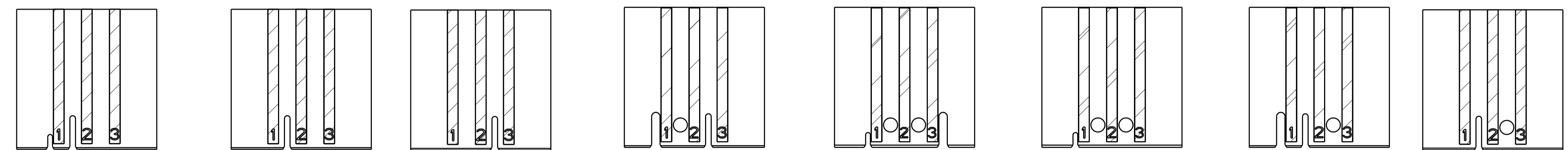
LOC		DIST		REVISIONS			
A	1	P	LTR	DESCRIPTION	DATE	DWN	APVD
		-		SEE SHEET 1	-	-	-

2 POSITION
 2 polig



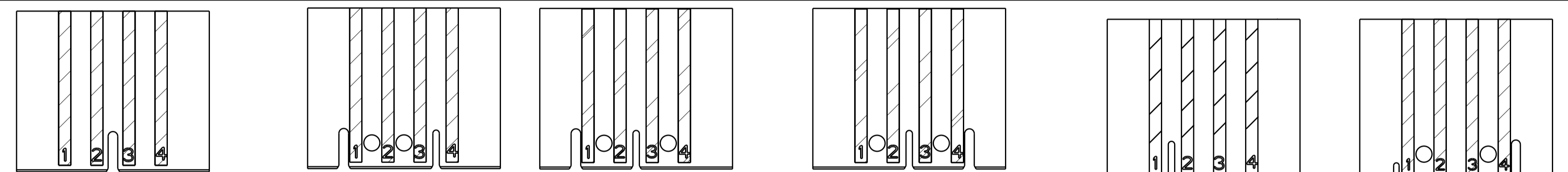
LAYOUT FOR CONNECTOR NO. 0-1740533-2 LAYOUT FOR CONNECTOR NO. 1-1740533-2 LAYOUT FOR CONNECTOR NO. 2-1740533-2

3 POSITION
 3 polig



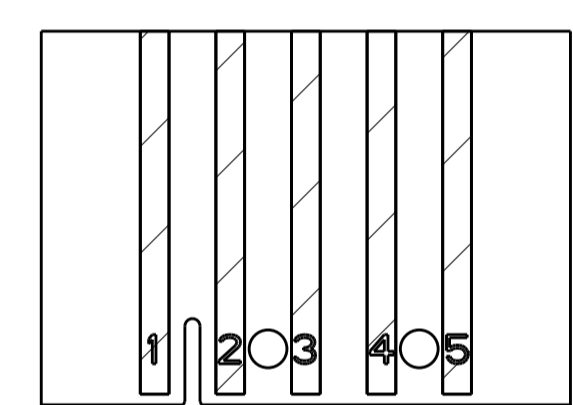
LAYOUT FOR CONNECTOR NO. 9-1740533-3 LAYOUT FOR CONNECTOR NO. 7-1740533-3 LAYOUT FOR CONNECTOR NO. 6-1740533-3 LAYOUT FOR CONNECTOR NO. 0-1740533-3 LAYOUT FOR CONNECTOR NO. 1-1740533-3 LAYOUT FOR CONNECTOR NO. 8-1740533-3 LAYOUT FOR CONNECTOR NO. 2-1740533-3 LAYOUT FOR CONNECTOR NO. 3-1740533-3 (WITHOUT PAD 3) LAYOUT FOR CONNECTOR NO. 4-1740533-3 (WITHOUT PAD 1) LAYOUT FOR CONNECTOR NO. 5-1740533-3 $\Delta 26$

4 POSITION
 4 polig



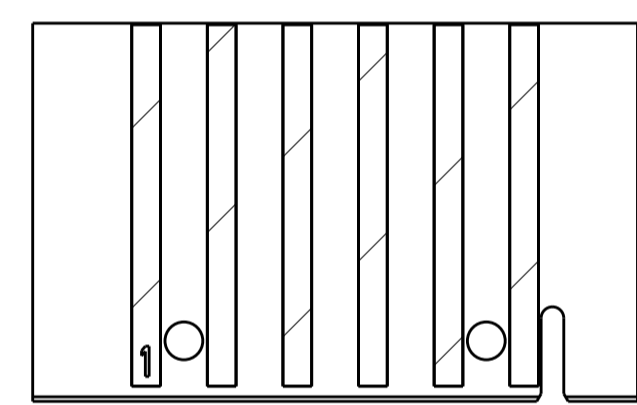
LAYOUT FOR CONNECTOR NO. 5-1740533-4 $\Delta 26$ LAYOUT FOR CONNECTOR NO. 3-1740533-4 LAYOUT FOR CONNECTOR NO. 0-1740533-4 (WITHOUT PAD 2) LAYOUT FOR CONNECTOR NO. 2-1740533-4 LAYOUT FOR CONNECTOR NO. 1-1740533-4 LAYOUT FOR CONNECTOR NO. 4-1740533-4 LAYOUT FOR CONNECTOR NO. 6-1740533-4

5 POSITION
 5 polig

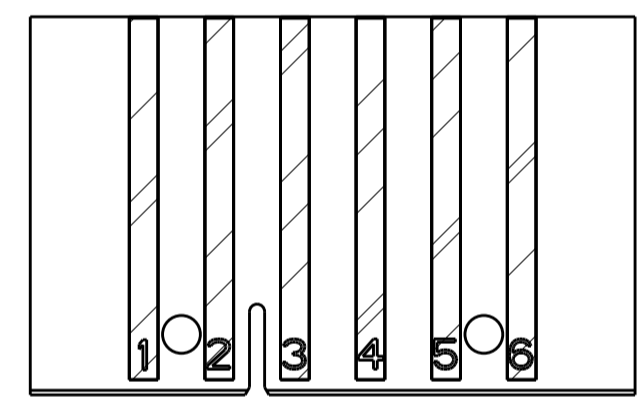


LAYOUT FOR CONNECTOR NO. 0-1740533-5

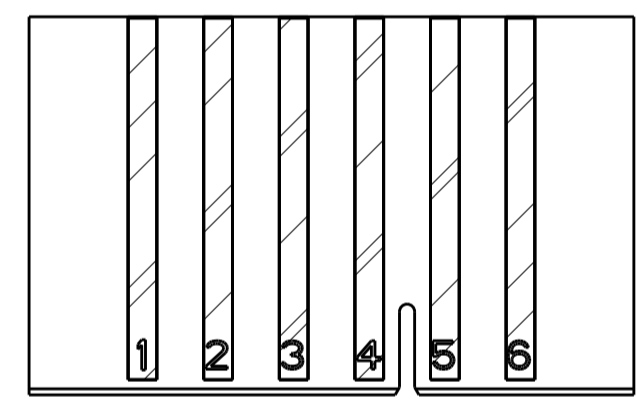
6 POSITION
 6 polig



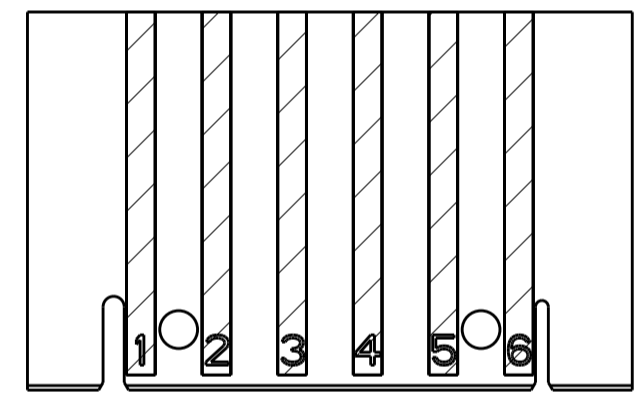
LAYOUT FOR CONNECTOR NO. $\Delta 26$ 5-1740533-6



LAYOUT FOR CONNECTOR NO. 0-1740533-6 (WITHOUT PAD 2/5/6) LAYOUT FOR CONNECTOR NO. 1-1740533-6 LAYOUT FOR CONNECTOR NO. 3-1740533-6 (WITHOUT PAD 2)

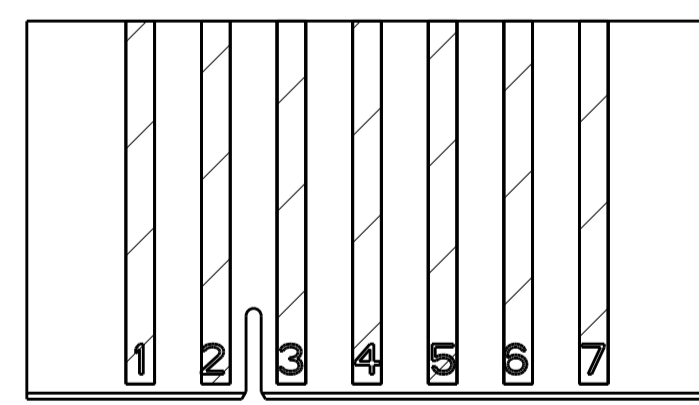


LAYOUT FOR CONNECTOR NO. 2-1740533-6

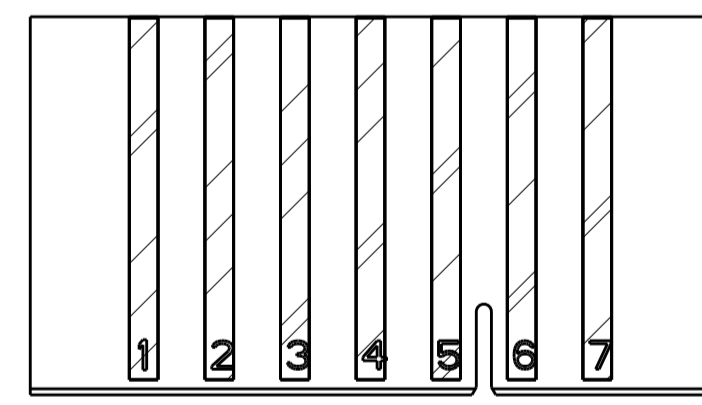


LAYOUT FOR CONNECTOR NO. $\Delta 26$ 4-1740533-6

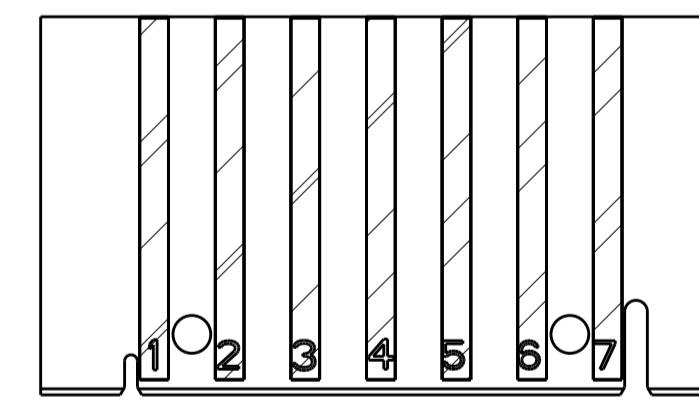
7 POSITION
 7 polig



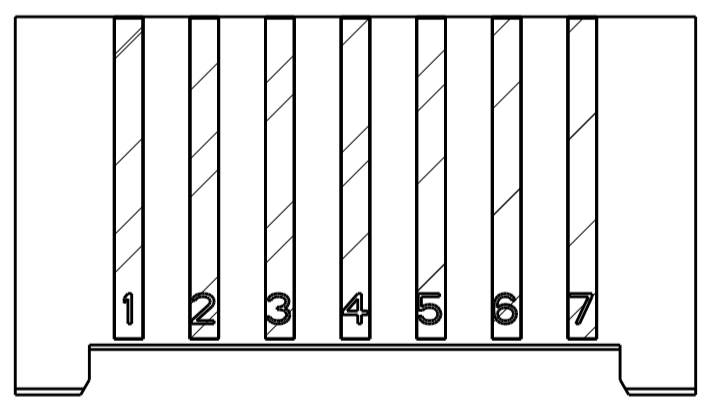
LAYOUT FOR CONNECTOR NO. 4-1740533-7 $\Delta 26$



LAYOUT FOR CONNECTOR NO. 0-1740533-7

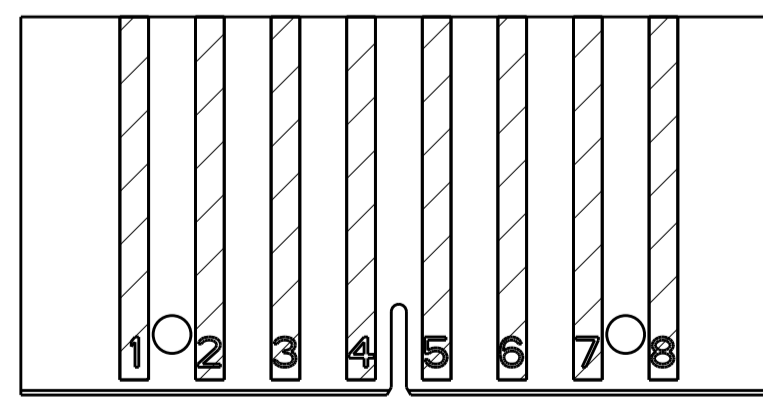


LAYOUT FOR CONNECTOR NO. 1-1740533-7

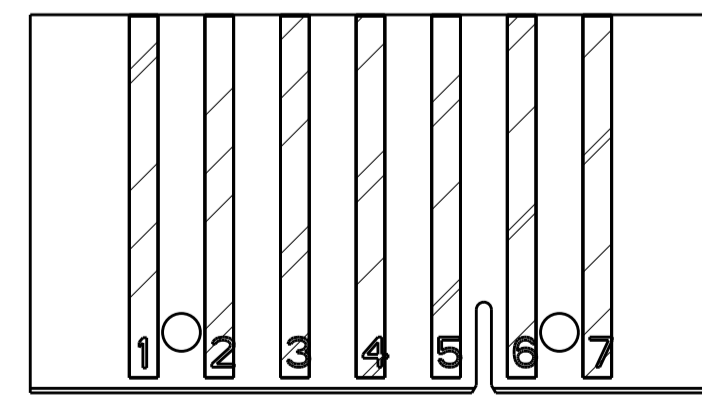


LAYOUT FOR CONNECTOR NO. 2-1740533-7

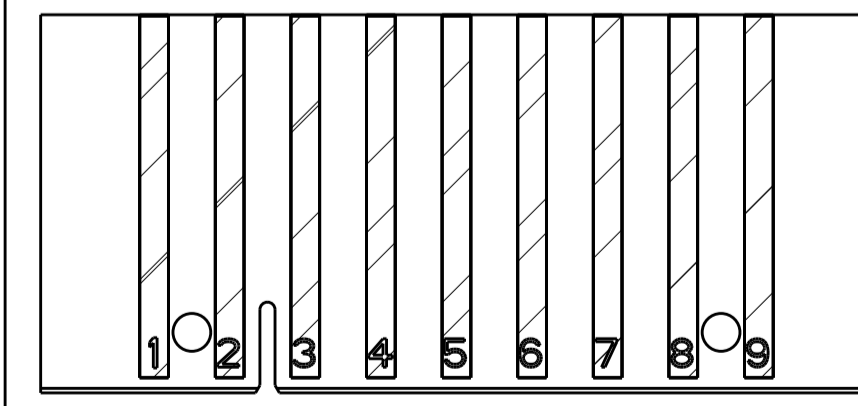
8 POSITION



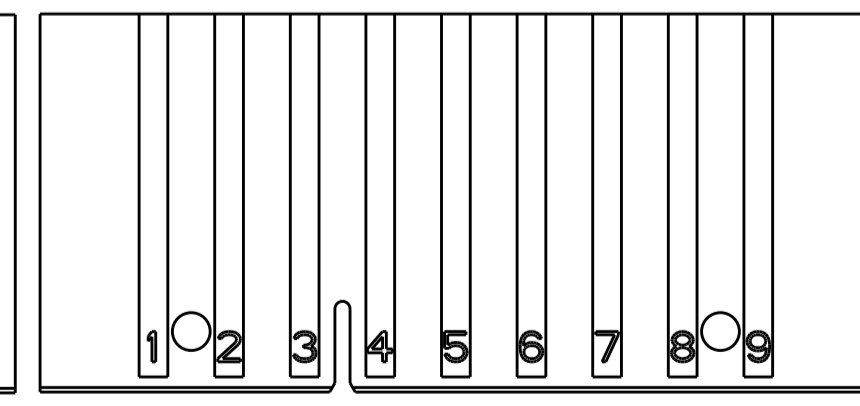
LAYOUT FOR CONNECTOR NO. 0-1740533-8



LAYOUT FOR CONNECTOR NO. 3-1740533-7



LAYOUT FOR CONNECTOR NO. 0-1740533-9 LAYOUT FOR CONNECTOR NO. 1-1740533-9 (WITHOUT PAD 9)



LAYOUT FOR CONNECTOR NO. 2-1740533-9 9 POSITION 9 polig

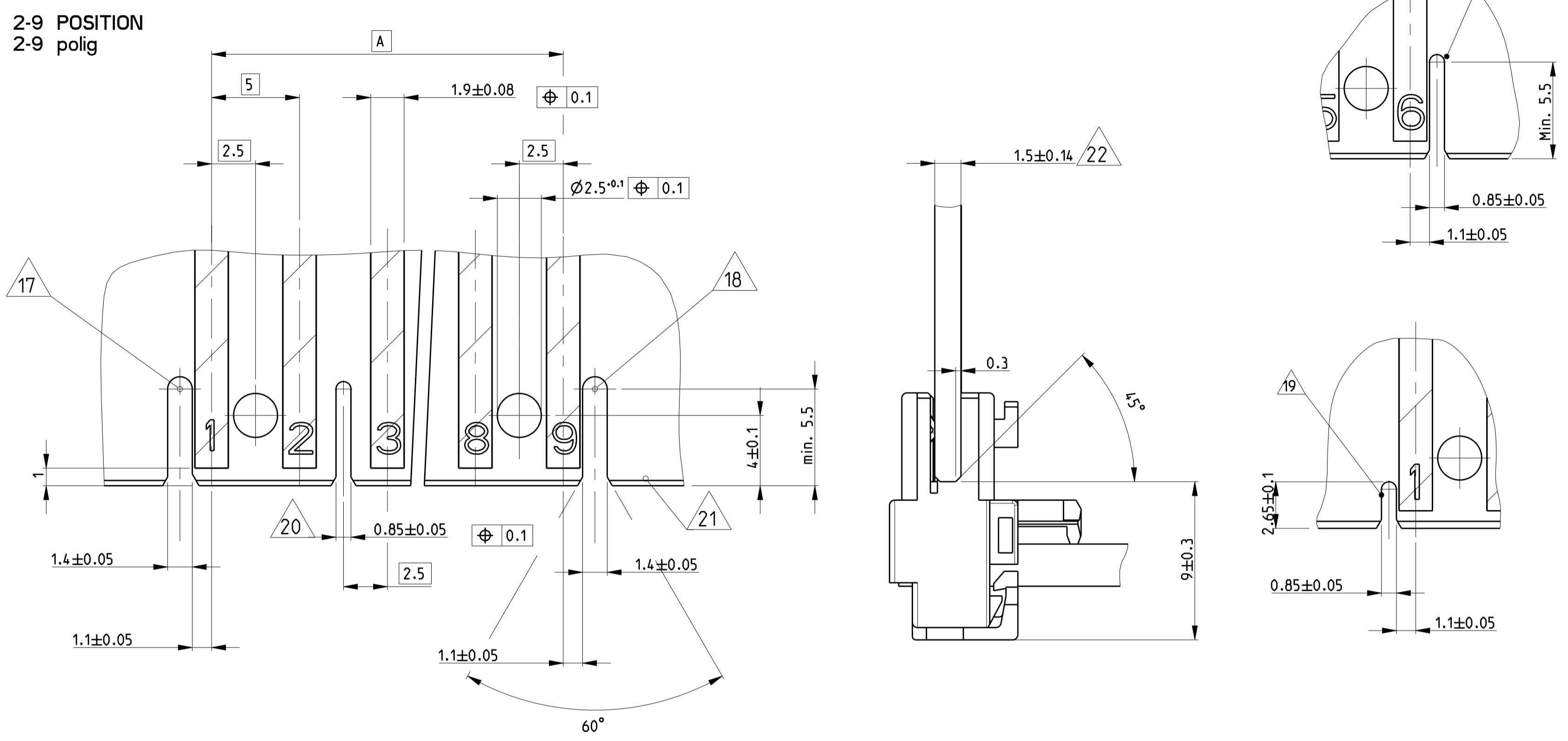
THIS DRAWING IS A CONTROLLED DOCUMENT. DIMENSIONS: mm. TOLERANCES UNLESS OTHERWISE SPECIFIED: 0 PLC ± 0.2 , 1 PLC ± 0.2 , 2 PLC ± 0.2 , 3 PLC ± 0.2 , 4 PLC \pm , ANGLES $\pm 0.2^\circ$. MATERIAL: SEE TABLE. FINISH: SEE TABLE.

DWN: H. Alzmann, CHK: B. Schnaubel, APVD: T. Klenner. PRODUCT SPEC: 108-18780. APPLICATION SPEC: 116-18996. WEIGHT: -. CUSTOMER DRAWING.

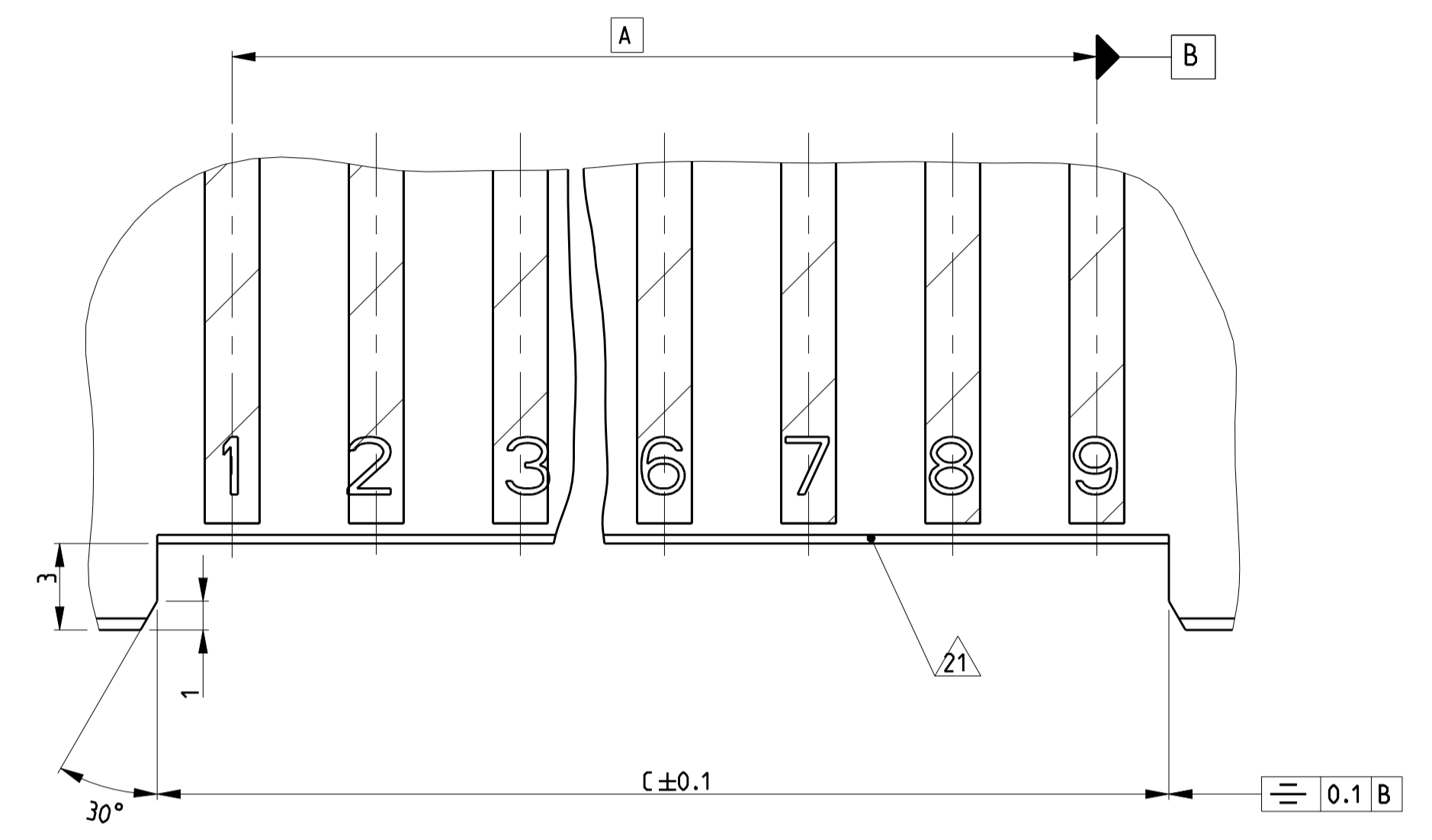
DATE: 01NOV2005. NAME: AMP DUOPLUG POWER FEMALE CONNECTOR 2-9 POSITION (WITH PCB LOCKING). SIZE: A1. CAGE CODE: 00779. DRAWING NO: 1740533. SHEET 2 OF 3. SCALE: 5:1. REV: 18.

STE TE Connectivity

PCB LAYOUT IN GENERAL
 Leiterplattenanschluss allgemein



PCB LAYOUT FOR VERSIONS WITHOUT KEYING RIBS/
 LOCKING HOOKS (E. G. PN 2-1740533-7)
 Leiterplattenanschluss fuer Version ohne Kodierrippen/
 Rasthaken (z. B. Nr. 2-1740533-7)



LOC	DIST	REV	DESCRIPTION	DATE	DNW	APVD
A1	-	1	SEE SHEET 1	-	-	-

COLOUR/Farbe	9	8	7	6	5	4	3	2	1	POS. Polzahl	DIM A	DIM B	DIM C	KEYING	KEYING	KEYING	KEYING	KEYING	LOCKING HOOK	PN Bestell-Nr.
-	X	X	X	X	X	X	X	X	X	9	40	44.9	-	-	-	-	-	-	1/2 + 8/9	2-1740533-9
GREEN/gruen	0	X	X	X	X	X	X	X	X	9	40	44.9	-	-	-	-	-	-	1/2 + 8/9	1-1740533-9
GREEN/gruen	X	X	X	X	X	X	X	X	X	9	40	44.9	-	-	-	-	-	-	1/2 + 8/9	0-1740533-9
-		X	X	X	X	X	X	X	X	8	35	39.9	-	-	-	-	-	-	1/2 + 7/8	0-1740533-8
-			X	X	X	X	X	X	X	7	30	34.9	-	-	-	-	-	-	2/3	4-1740533-7
-			X	X	X	X	X	X	X	7	30	34.9	-	-	-	-	-	-	1/2 + 6/7	3-1740533-7
-			X	X	X	X	X	X	X	7	30	34.9	35.1	-	-	-	-	-	1/2 + 6/7	2-1740533-7
-			X	X	X	X	X	X	X	7	30	34.9	-	X	-	-	-	-	1/2 + 6/7	1-1740533-7
-			X	X	X	X	X	X	X	7	30	34.9	-	-	-	-	-	-	5/6	0-1740533-7
BLACK/schwarz			X	X	X	X	X	X	X	6	25	29.9	-	-	X	-	-	-	1/2 + 5/6	4-1740533-6
-			X	X	X	X	X	X	X	6	25	29.9	-	-	-	-	-	-	1/2 + 5/6	3-1740533-6
BLACK/schwarz			X	X	X	X	X	X	X	6	25	29.9	-	-	-	-	-	-	2/3	1-1740533-6
BLACK/schwarz		0	0	X	X	X	X	X	X	6	25	29.9	-	-	-	-	-	-	1/2 + 5/6	0-1740533-6
			X	X	X	X	X	X	X	5	20	24.95	-	-	-	-	-	-	2/3 + 4/5	0-1740533-5
			X	X	X	X	X	X	X	4	15	19.9	-	X	-	-	-	-	1/2 + 3/4	6-1740533-4
			X	X	X	X	X	X	X	4	15	19.9	-	-	-	-	-	-	2/3	5-1740533-4
			X	X	X	X	X	X	X	4	15	19.9	-	-	-	-	-	-	1/2	4-1740533-4
BROWN/braun			X	X	X	X	X	X	X	4	15	19.9	-	-	-	-	-	-	3/4	3-1740533-4
BROWN/braun			X	X	X	X	X	X	X	4	15	19.9	-	-	-	-	-	-	2/3	2-1740533-4
BLUE/blau			X	X	X	X	X	X	X	4	15	19.9	-	-	-	-	-	-	2/3	1-1740533-4
BROWN/braun			X	X	0	X	X	X	X	4	15	19.9	-	-	-	-	-	-	2/3	0-1740533-4
			X	X	X	X	X	X	X	3	10	14.9	-	X	-	-	-	-	1/2	9-1740533-3
BLUE/blau			X	X	X	X	X	X	X	3	10	14.9	-	X	-	-	-	-	1/2 + 2/3	8-1740533-3
			X	X	X	X	X	X	X	3	10	14.9	-	-	-	-	-	-	1/2	7-1740533-3
			X	X	X	X	X	X	X	3	10	14.9	-	-	-	-	-	-	2/3	6-1740533-3
			X	X	X	X	X	X	X	3	10	14.9	-	-	-	-	-	-	1/2	5-1740533-3
BLACK/Schwarz			X	X	X	X	X	X	X	3	10	14.9	-	-	-	-	-	-	2/3	4-1740533-3
BLACK/schwarz			0	X	X	X	X	X	X	3	10	14.9	-	-	-	-	-	-	2/3	3-1740533-3
-			X	X	X	X	X	X	X	3	10	14.9	-	X	-	-	-	-	1/2 + 2/3	2-1740533-3
-			X	X	X	X	X	X	X	3	10	14.9	-	X	-	-	-	-	1/2 + 2/3	1-1740533-3
BLACK/schwarz			X	X	X	X	X	X	X	3	10	14.9	-	-	-	-	-	-	2/3	0-1740533-3
-			X	X	X	X	X	X	X	2	5	9.9	-	X	-	-	-	-	1/2	2-1740533-2
RED/rot			X	X	X	X	X	X	X	2	5	9.9	-	-	-	-	-	-	1/2	1-1740533-2
GREEN/gruen			X	X	X	X	X	X	X	2	5	9.9	-	-	-	-	-	-	1/2	0-1740533-2

COLOUR	9	8	7	6	5	4	3	2	1	POS	DIM A	DIM B	DIM C	KEYING	KEYING	KEYING	KEYING	KEYING	LOCKING HOOK	PART NO
					X	X	X	X	X	5	20	24.95	-	-	-	-	-	-	2/3	1-1740533-5
					X	X	X	X	X	6	25	29.9	-	-	-	-	-	-	X	5-1740533-6

THIS DRAWING IS A CONTROLLED DOCUMENT. DWN SUDHAKAR 28OCT2013
 CHK SUDHAKAR 28OCT2013
 APVD RA JENDRA 28OCT2013

STE TE Connectivity

AMP DUOPLUG POWER FEMALE CONNECTOR 2-9 POSITION (WITH PCB LOCKING)

116-18996
 WEIGHT -
 CUSTOMER DRAWING

SCALE 5:1 SHEET 3 OF 3

Mouser Electronics

Authorized Distributor

Click to View Pricing, Inventory, Delivery & Lifecycle Information:

[TE Connectivity:](#)

[3-1740533-4](#)