

Single Pedal With Cover

STANDARD with Anti Trip



Standard OFF-ON Operation - Push forward in the Anti Trip Pedal Lock to release. Push down pedal to change contact state. Release pedal to return to original state.

STANDARD with FST Footrest

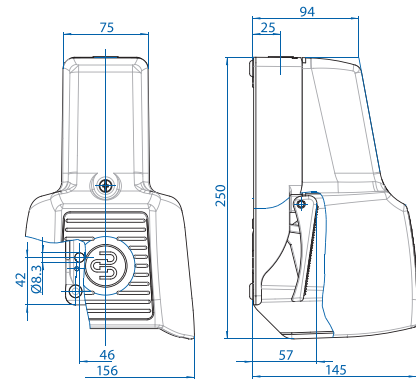
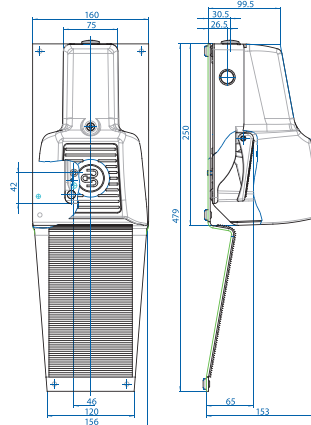
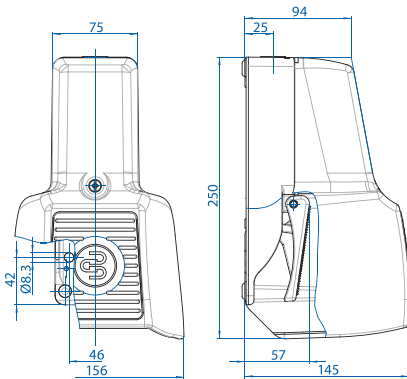


Standard OFF-ON Operation - Push pedal to change contact state. Release pedal to return to original state. With anti-fatigue footrest.

ASI Interface



Foot Switches with built in ASI Bus System interface via an M12 plug connection. Available in Standard or Enabling Switch versions



Single pedal foot switch F1		
Article number	Designation	Switching contacts
616.1800.482	F1-SU1Z AT UN	1NC / 1NO
616.1600.400	F1-U1Z AT UN	1NC / 1NO
616.1700.483	F1-U2Z AT UN	2NC / 2NO
616.1700.660	F1-U2ZD AT UN	2NC / 2NO

Single pedal foot switch F1		
Article number	Designation	Switching contacts
616.1700.091	F1-U2Z UN FST	2NC / 2NO

Standard with ASI Interface	
Article number	Designation
607.3700.076	ASI F1 UN

Enabling Switch with ASI Interface	
Article number	Designation
607.3700.085	F1-ASI-ZSD UN
607.3700.086	F1-ASI-ZSDR UN (Latching)

Mouser Electronics

Authorized Distributor

Click to View Pricing, Inventory, Delivery & Lifecycle Information:

[Altech:](#)

[607.3700.076](#) [607.3700.085](#) [616.1700.483](#) [616.1800.482](#)