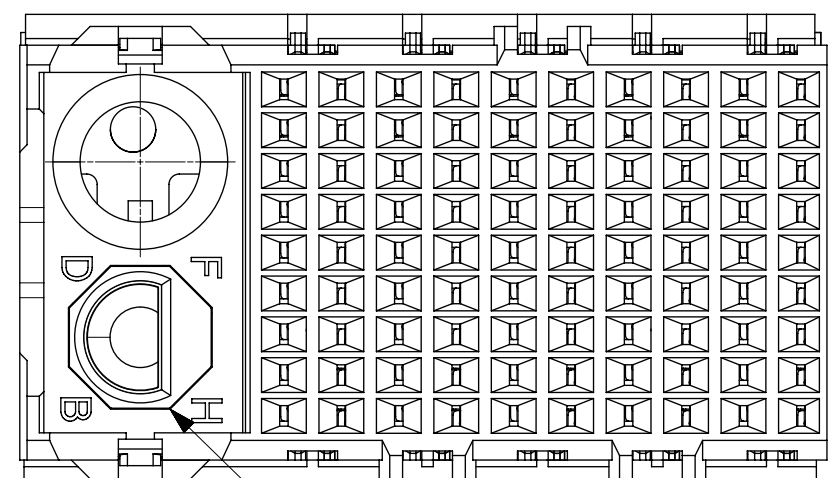
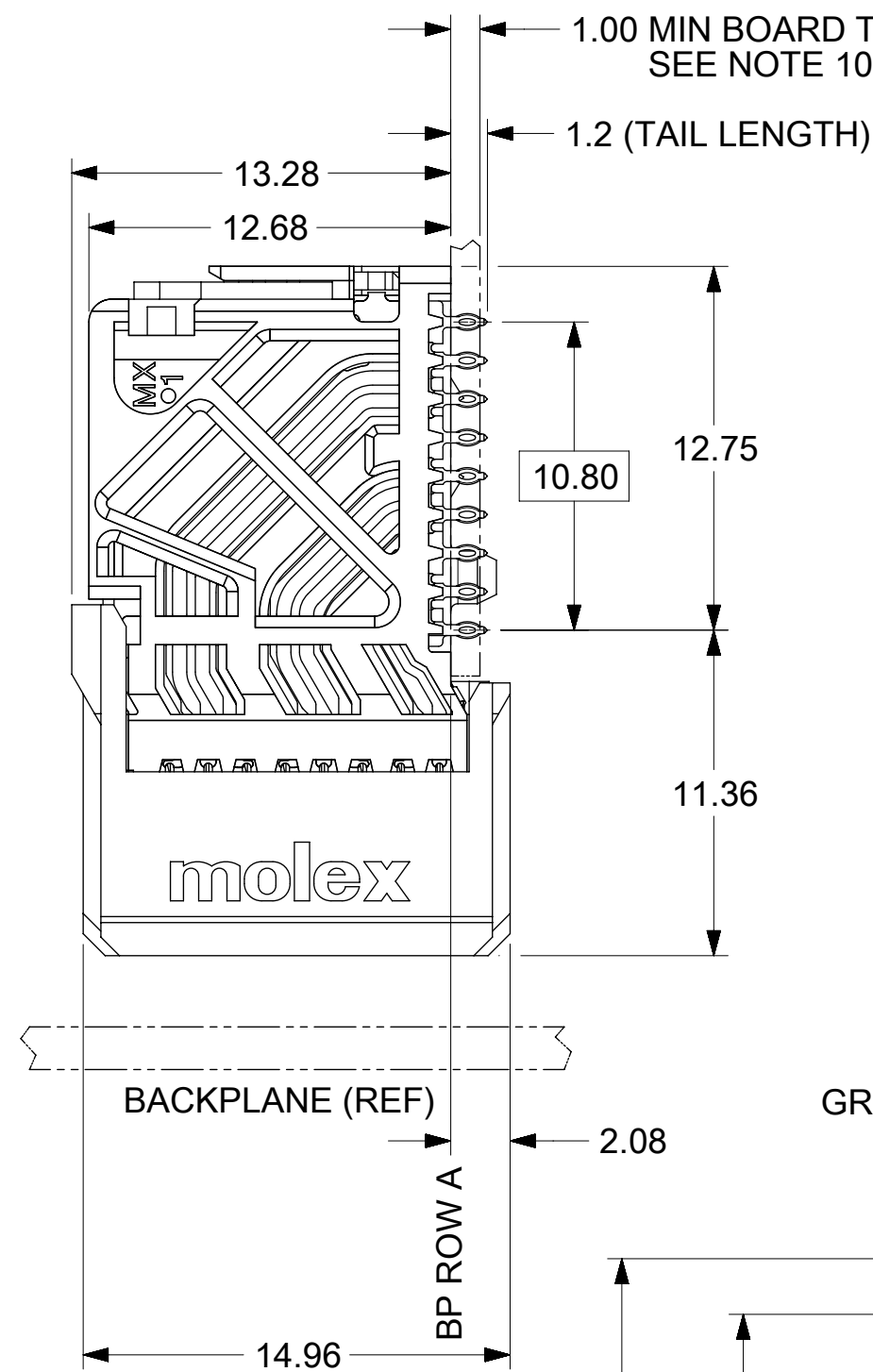


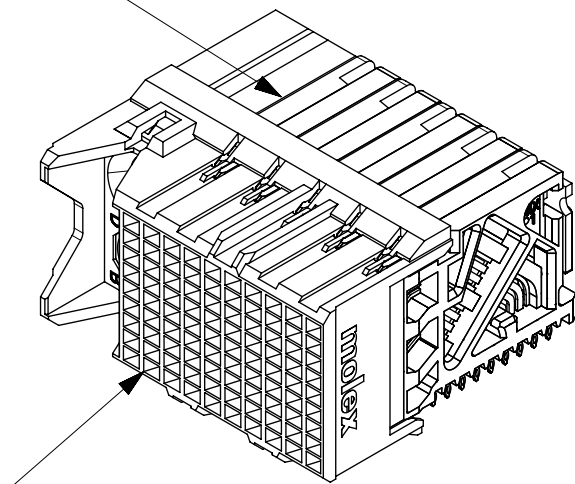
SEE NOTE 12



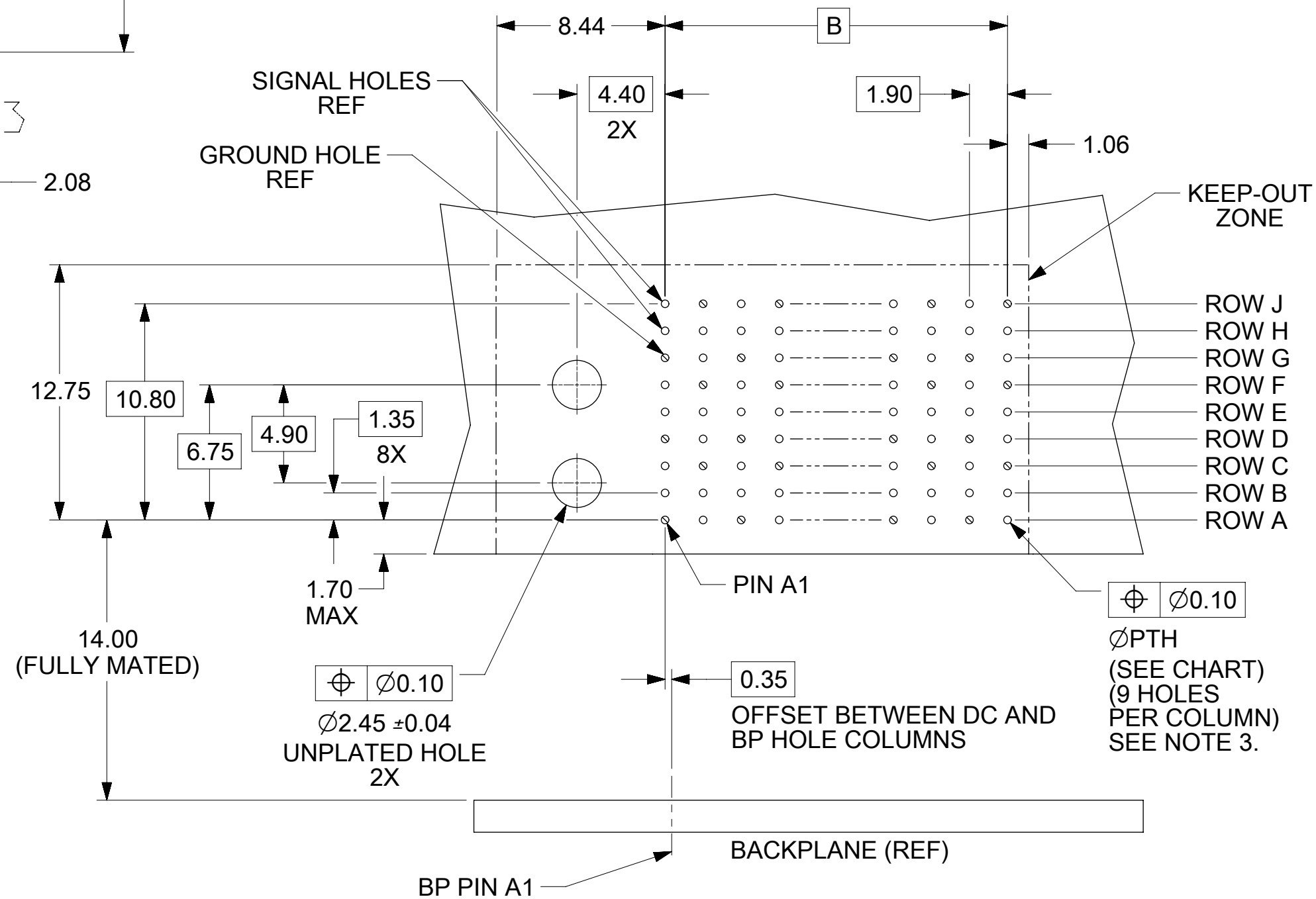
KEY SHOWN IN POSITION G



SEE NOTE 9



PIN A1



**DAUGHTERCARD HOLE PATTERN
(CONNECTOR SIDE)**

NOTES:

1. MATERIALS: HOUSING - LIQUID CRYSTAL POLYMER (LCP), GLASS-FILLED, UL94V-0
TERMINALS - HIGH PERFORMANCE COPPER ALLOY
2. FINISH: 30 μIN MIN SELECTIVE GOLD IN CONTACT AREA, SELECTIVE TIN
ON PCB TAILS. NICKEL OVERALL.
3. REFER TO MOLEX PRODUCT SPEC PS-76060-999 FOR PERFORMANCE SPECIFICATIONS
AND ADDITIONAL PCB INFORMATION.
4. EACH SIGNAL WAFER CONTAINS 2 COLUMNS OF TERMINALS.
5. PRODUCT IS PACKAGED PER PK-70873-591.
6. THIS PART CONFORMS TO CLASS B REQUIREMENTS OF COSMETIC SPEC PS-45499-002.
7. REFER TO MOLEX SALES DRAWING SD-76165-002 FOR THE MATING HEADERS AND
TO SD-76410-004 FOR THE MATING RAM CONNECTORS.
8. REFER TO MOLEX PCB ROUTING GUIDE AS-76060-990 FOR ANTIPAD AND ROUTING
RECOMMENDATIONS.
9. PART NUMBER 76170-3720 SHOWN ON DRAWING. KEYING FEATURES WILL CHANGE
WITH COLUMN SIZE.
10. MINIMUM BOARD THICKNESS IS 1.00 mm FOR COMPLIANT PIN FUNCTIONALITY.
11. WHEN USING MOLEX SUPPLIED #2-32 SCREW 73726-0005 (7.62mm +0.38/-0.76
THREADABLE SCREW LENGTH), THE MAXIMUM BOARD THICKNESS IS 1.9 mm TO 2.5 mm.
12. MARKING: LOCATED APPROXIMATELY AS SHOWN. PART NUMBER AND DATE CODE.

SYMBOLS										THIS DRAWING CONTAINS INFORMATION THAT IS PROPRIETARY TO MOLEX ELECTRONIC TECHNOLOGIES, LLC AND SHOULD NOT BE USED WITHOUT WRITTEN PERMISSION																	
= 0		mm		SCALE		4:1		CURRENT REV		DESC: MIGRATED TO NX																	
= 0		GENERAL TOLERANCES (UNLESS SPECIFIED)		ANGULAR TOL		± 0.5°		EC NO: 605016		DRWN: SCHANNARAYAN 2018/02/14										2018/09/26		CHK'D: TELO		2018/09/26		APPR: TELO	
= 0		4 PLACES		±		INITIAL REVISION:		DRWN: JLAURX		2008/01/30		2008/02/05		APPR: JLAURX		2008/02/05		DOCUMENT NUMBER		DOC TYPE		DOC PART		REVISION			
= 0		3 PLACES		±		1 PLACE		±		0 PLACES		±		DRAFT WHERE APPLICABLE MUST REMAIN WITHIN DIMENSIONS		THIRD ANGLE PROJECTION		DRAWING		SERIES		MATERIAL NUMBER		CUSTOMER		SHEET NUMBER	
= 0		2 PLACES		±		0.13		C-SIZE		76170		SEE CHART		GENERAL MARKET		1 OF 2		SD-76170-002		PSD		001		K1			

DOCUMENT STATUS	P1	RELEASE DATE	2018/09/26	21:30:56
-----------------	----	--------------	------------	----------

MATERIAL NUMBER	# OF COLUMNS	# OF DIFF PAIR	DIM "A" MAX	DIM "B"	PTH \varnothing
76170-***6	6	18	19.00	9.50	0.46±0.05
76170-***8	8	24	22.80	13.30	
76170-***0	10	30	26.60	17.10	
76170-***4	14	42	34.20	24.70	
76170-***6	16	48	38.00	28.50	
76170-***6	6	18	19.00	9.50	0.39±0.05
76170-***8	8	24	22.80	13.30	
76170-***0	10	30	26.60	17.10	
76170-***4	14	42	34.20	24.70	
76170-***6	16	48	38.00	28.50	


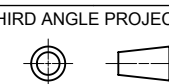
76170-****

MODULE & TAIL PLATING TYPE
3 = LEFT GUIDED LEAD-FREE

OF COLUMNS
06 = 6 COL 0.46 PTH
08 = 8 COL 0.46 PTH
10 = 10 COL 0.46 PTH
14 = 14 COL 0.46 PTH
16 = 16 COL 0.46 PTH
20 = 10 COL 0.39 PTH
24 = 14 COL 0.39 PTH
26 = 16 COL 0.39 PTH
36 = 6 COL 0.39 PTH
38 = 8 COL 0.39 PTH

POLARIZATION KEY ORIENTATION

0 = NO KEY
1 = A 5 = E
2 = B 6 = F
3 = C 7 = G
4 = D 8 = H

THIS DRAWING CONTAINS INFORMATION THAT IS PROPRIETARY TO MOLEX ELECTRONIC TECHNOLOGIES, LLC AND SHOULD NOT BE USED WITHOUT WRITTEN PERMISSION											
SYMBOLS		DIMENSION UNITS		SCALE		CURRENT REV DESC: MIGRATED TO NX				 IMPACT 100 OHM DC 3 PAIR SIGNAL MODULE GUIDE LEFT SALES DWG	
▽ = 0 ▽ = 0 ▽ = 0 ▽ = 0 ▽ = 0 ▽ = 0 ▽ = 0 ▽ = 0 ▽ = 0 ▽ = 0		mm		1:1		EC NO: 605016 DRWN: SCHANNARAYAN 2018/02/14 CHK'D: TELO 2018/09/26 APPR: TELO 2018/09/26					
▽ = 0 ▽ = 0 ▽ = 0 ▽ = 0 ▽ = 0 ▽ = 0 ▽ = 0 ▽ = 0 ▽ = 0 ▽ = 0		GENERAL TOLERANCES (UNLESS SPECIFIED) ANGULAR TOL ± 0.5° 4 PLACES ± 3 PLACES ± 2 PLACES ± 0.13 1 PLACE ± 0.25 0 PLACES ±				INITIAL REVISION: DRWN: JLAURX 2008/01/30 APPR: JLAURX 2008/02/05				PRODUCT CUSTOMER DRAWING DOCUMENT NUMBER SD-76170-002 DOC TYPE PSD DOC PART 001 REVISION K1	
▽ = 0 ▽ = 0 ▽ = 0 ▽ = 0 ▽ = 0 ▽ = 0 ▽ = 0 ▽ = 0 ▽ = 0 ▽ = 0		DRAFT WHERE APPLICABLE MUST REMAIN WITHIN DIMENSIONS		THIRD ANGLE PROJECTION 		DRAWING C-SIZE		SERIES 76170		MATERIAL NUMBER SEE CHART CUSTOMER GENERAL MARKET SHEET NUMBER 2 OF 2	