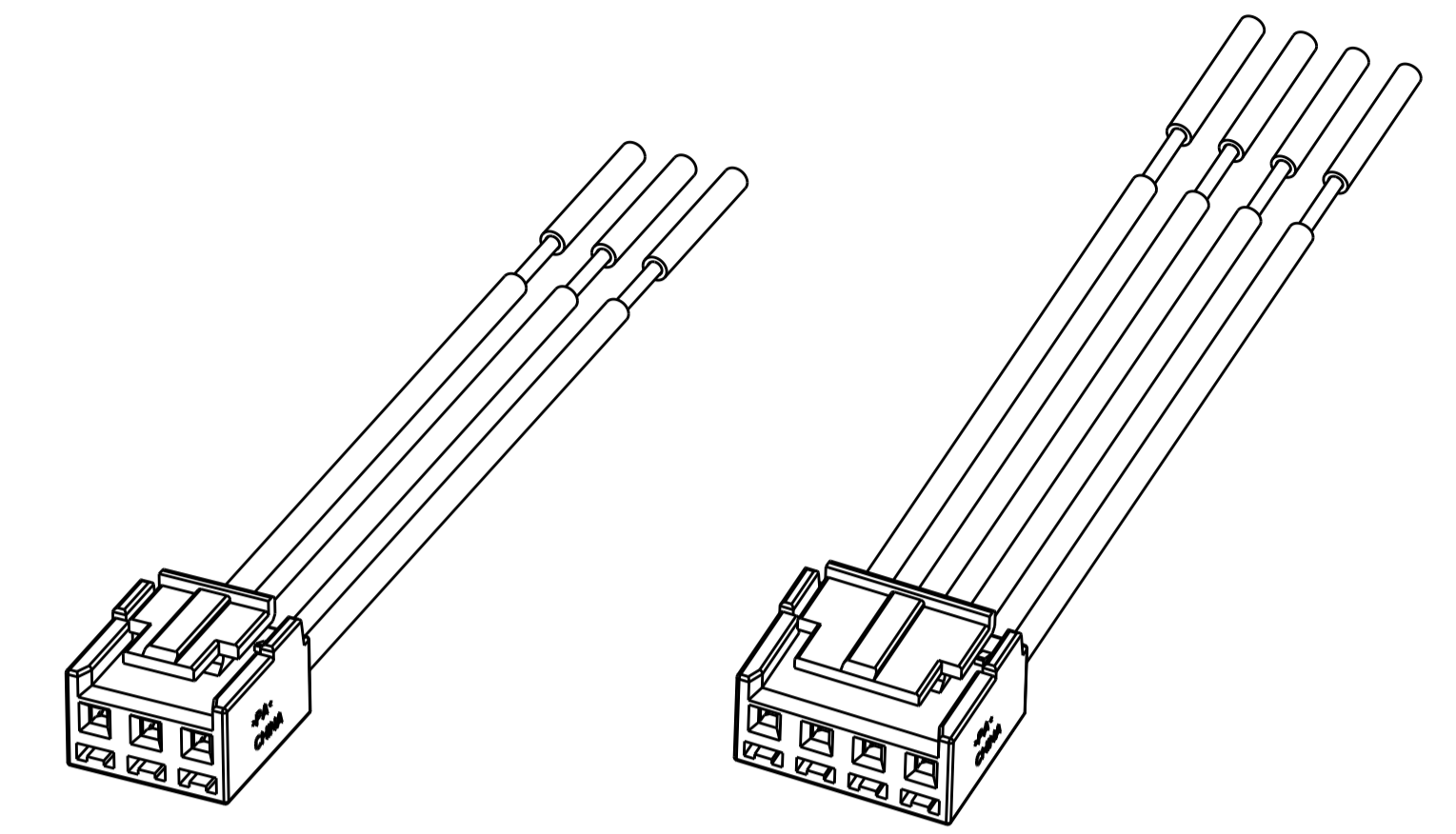
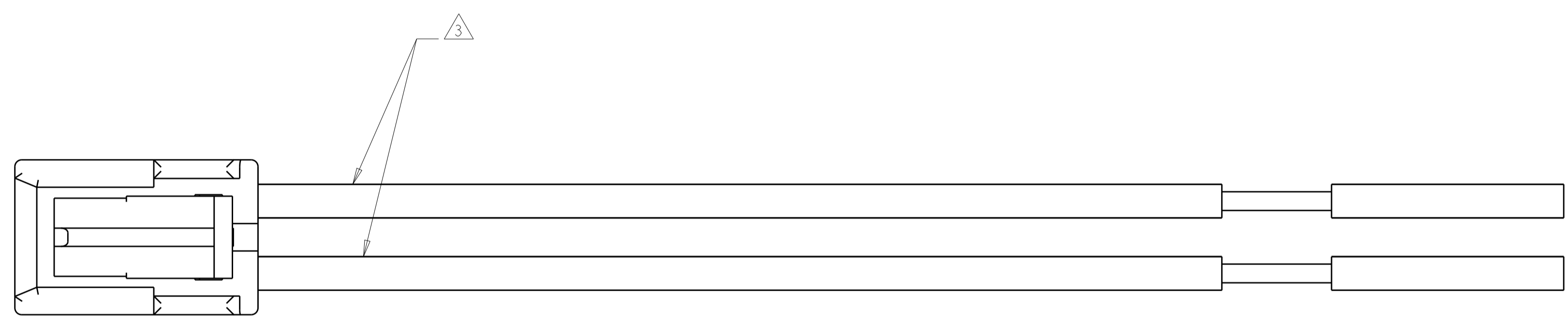
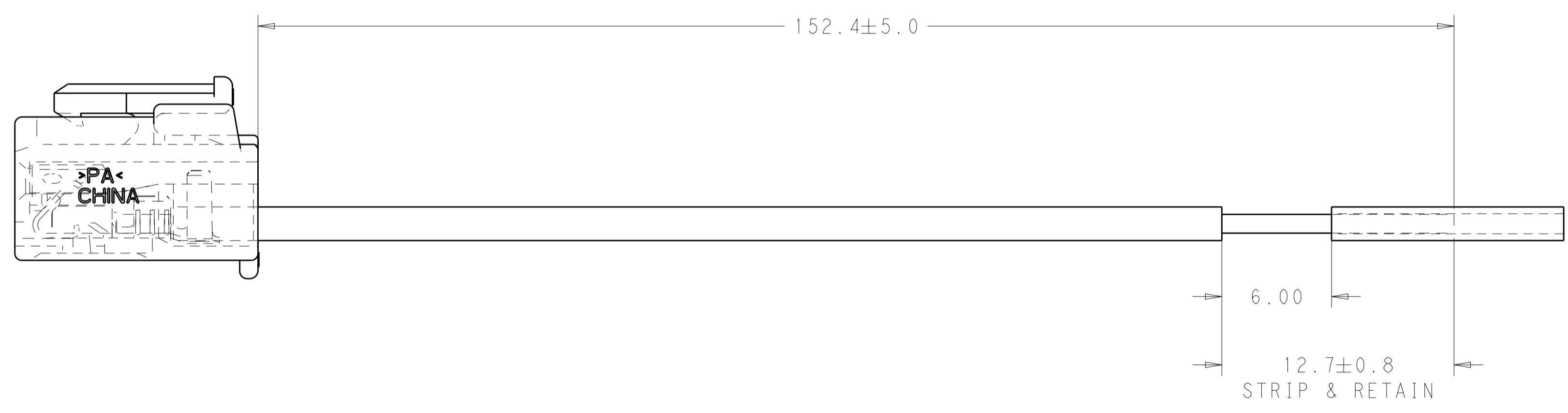


REVISONS		DATE	OWN	APVD
P. LTR	DESCRIPTION			
A	REVISED PER ECR-13-006026	10APR2013	RS	DD



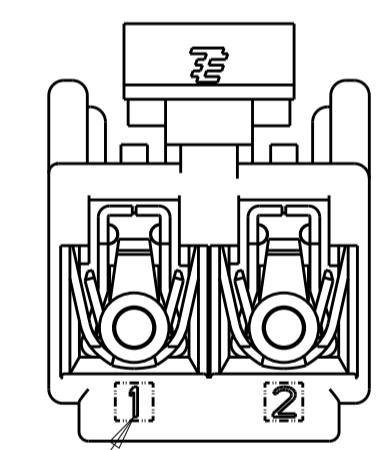
ISOMETRIC VIEW  
3 POSITION

ISOMETRIC VIEW  
4 POSITION



P/N: 2154828-1 (2 POSITION)  
SCALE 5:1

WIRE COLOR CHART <span style="float: right;">△3</span>			
4	-	-	ORANGE
3	-	BLUE	BLUE
2	RED	RED	RED
1	BLACK	BLACK	BLACK
POSN.	WIRE COLOR		
PART NUMBER	-1	-2	-3



POSITION 1

- △1 MATERIALS AND FINISH:  
-HOUSING: PBT, COLOR: NATURAL  
-CONTACTS: COPPER ALLOY, FINISH: PRE-TIN  
-WIRE: 18AWG STRANDED, UL 1007 STYLE
- 2. MUST COMPLY WITH DIRECTIVE 2002/95/EC (RHOS)
- △3 REFER TO TABLE FOR WIRE COLORS
- △4 PENDING APPROVAL

4	2154828-3
3	2154828-2
2	2154828-1
NO. POSN.	PART NUMBER

THIS DRAWING IS A CONTROLLED DOCUMENT.		OWN G. PETERS 03FEB2012	<b>STE</b> TE Connectivity
DIMENSIONS: mm		CHK C. GINGRICH 03FEB2012	
TOLERANCES UNLESS OTHERWISE SPECIFIED:		APVD C. GINGRICH	NAME
0 PLC	±	PRODUCT SPEC	CABLE ASSEMBLY, 18AWG WIRE, TO ECONOMY POWER II, PLUG, 3.96 PITCH
1 PLC	±0.13	APPLICATION SPEC	
2 PLC	±	WEIGHT	
3 PLC	±	Customer Drawing	
4 PLC	±	SIZE CAGE CODE DRAWING NO	RESTRICTED TO
ANGLES	±	A100779C=2154828	
FINISH	-	SCALE 1:1	SHEET 1 OF 1
MATERIAL	-	REV A	

# Mouser Electronics

Authorized Distributor

Click to View Pricing, Inventory, Delivery & Lifecycle Information:

[TE Connectivity:](#)

[2154828-1](#)