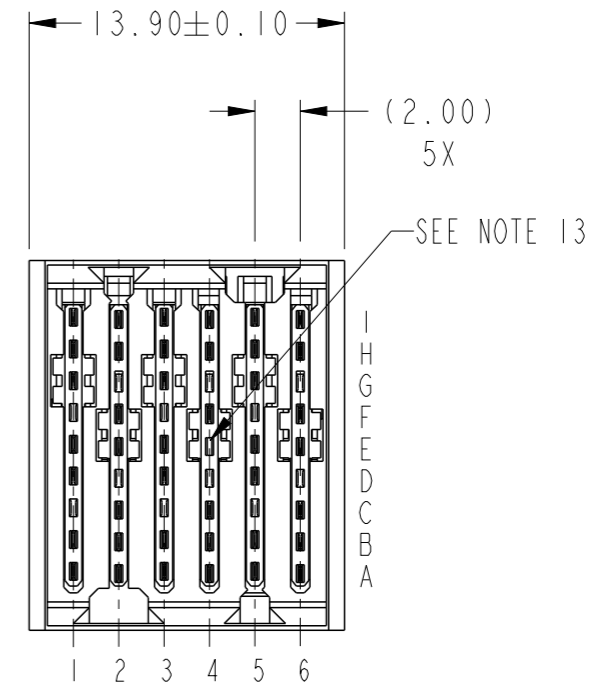
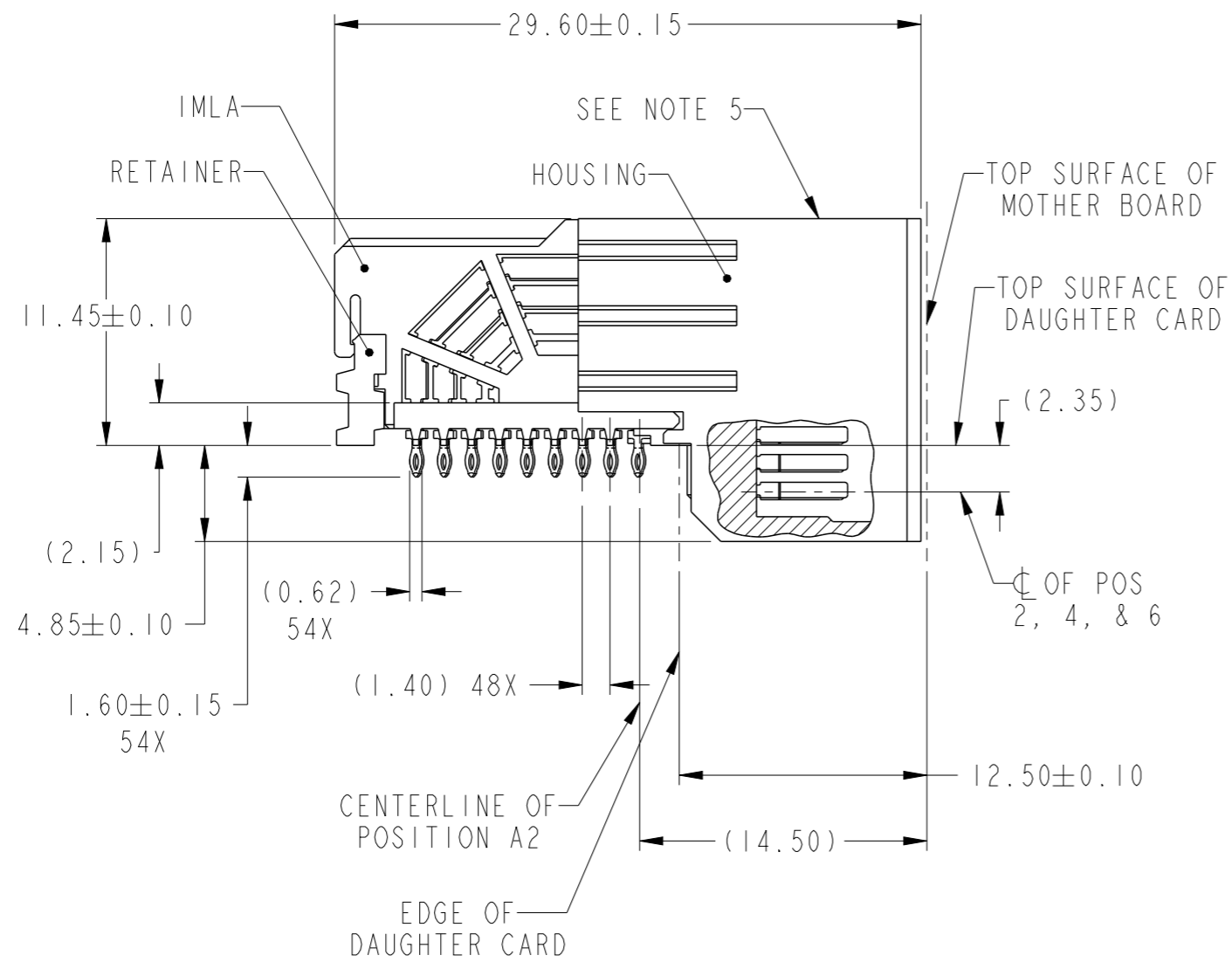


PRODUCT NUMBER
SEE TABLE, SHEET 5

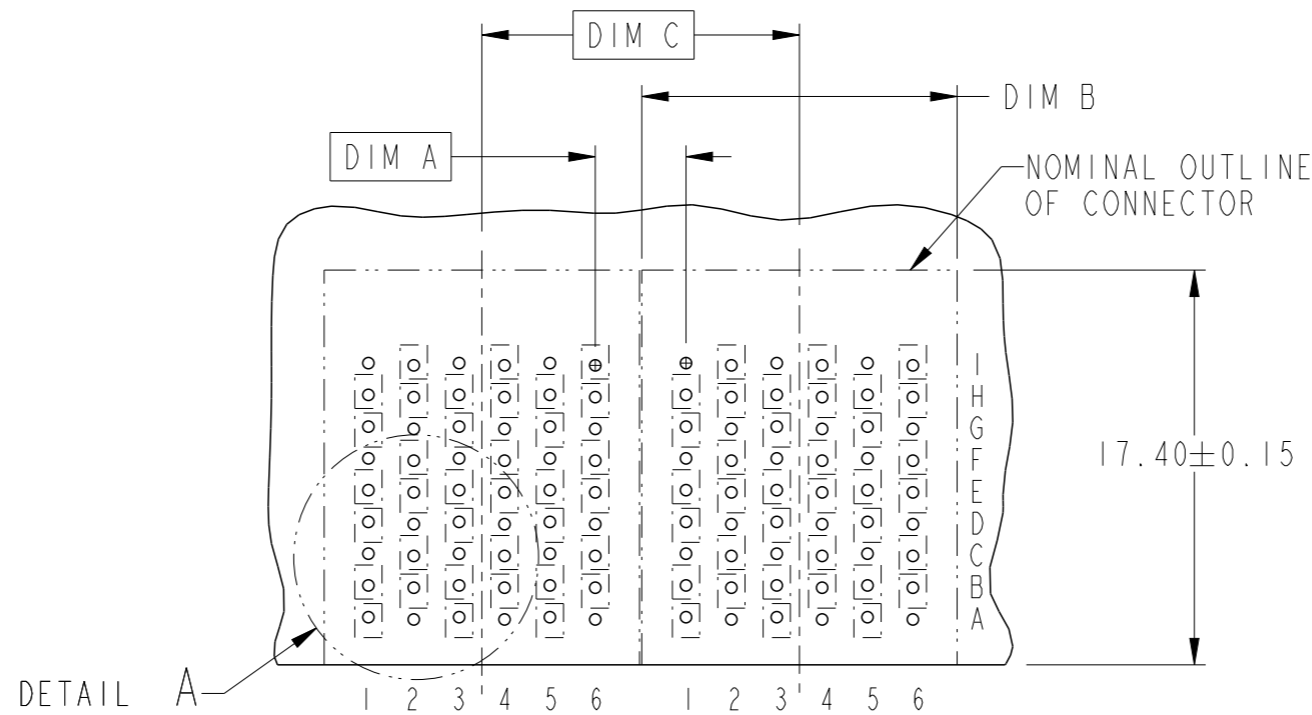


spec ref		dr	Chen-Hong Tan	2006/10/02	projection	MM	size	A3	scale	3:1
tolerance std		eng	Yong-Keat Lim	2011/05/30			ecn no		ELX-S-003991-1	
ASME Y14.5		chr	-	-			rel level		Released	
TOLERANCES UNLESS OTHERWISE SPECIFIED		appr	Chen-Hong Tan	2011/05/30	product family		AirMax VS		rev	
surface	3.2	linear	0.X	±0.3		AirMax VS R/A HEADER ASSY		dwg no	10039851	
			0.XX	±0.10						
			0.XXX	±0.050						
ASME Y14.5	angular	0°	±2°	www.fci.com	cat. no.	-	Product - Customer Drw		sheet 1 of 5	



Copyright FCI.

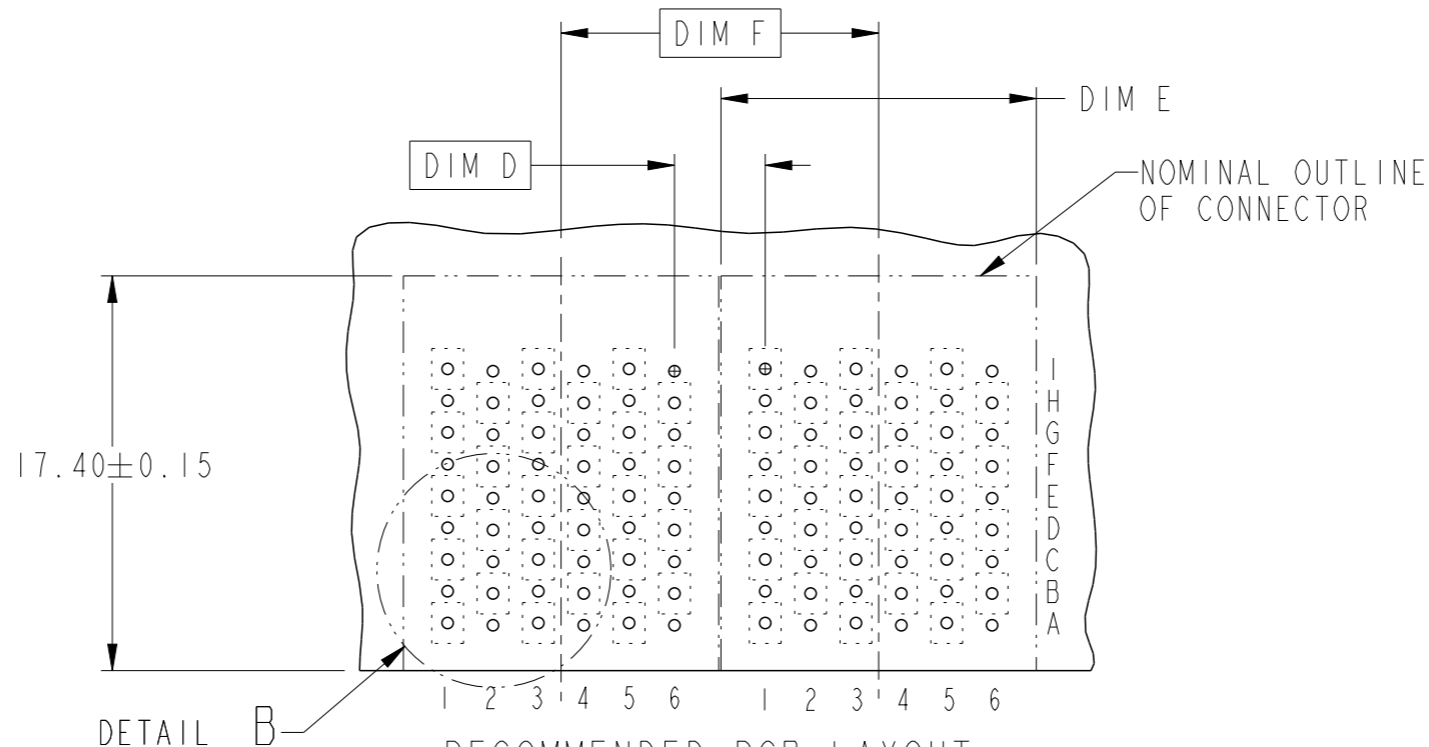
DESCRIPTION	DIM A	DIM B	DIM C
2-14MM MODULES PLACED END-TO-END	4.00	13.90 2X	14.00
1-12MM MODULE & 1-14MM MODULE PLACED END-TO-END	3.00	11.90 1X & 13.90 1X	13.00



RECOMMENDED PCB LAYOUT
FOR DIFFERENTIAL APPLICATIONS
COMPONENT SIDE
(TWO ADJACENT FOOTPRINTS SHOWN)
NOTES 6 & 7

spec ref	dr	Chen-Hong Tan	2006/10/02	projection	MM	size	A3	scale	2:1
tolerance std	eng	Yong-Keat Lim	2011/05/30			ecn no	ELX-S-003991-1		
ASME Y14.5	chr	-	-				rel level	Released	
	appr	Chen-Hong Tan	2011/05/30	product family	AirMax VS				
surface		linear	0.X	±0.3		title AirMax VS R/A HEADER ASSY PRESS_FIT, 54 POS, 14MM	dwg no 10039851	rev	
			0.XX	±0.10				F	
			0.XXX	±0.050					
ASME Y14.5	angular	0°	±2°	www.fci.com	cat. no.	-	Product - Customer Drw	sheet 2 of 5	

DESCRIPTION	DIM D	DIM E	DIM F
2-14MM MODULES PLACED END-TO-END	4.00	13.90 2X	14.00
1-12MM MODULE & 1-14MM MODULE PLACED END-TO-END	3.00	11.90 1X & 13.90 1X	13.00



RECOMMENDED PCB LAYOUT
FOR SINGLE ENDED APPLICATIONS
COMPONENT SIDE
(TWO ADJACENT FOOTPRINTS SHOWN)
NOTES 6 & 7

spec ref	dr	Chen-Hong Tan	2006/10/02	projection	MM	size	A3	scale	2:1
tolerance std	eng	Yong-Keat Lim	2011/05/30			ecn no	ELX-S-003991-1		
ASME Y14.5	chr	-	-				rel level	Released	
surface	appr	Chen-Hong Tan	2011/05/30	product family	AirMax VS	rel level	Released		
$\sqrt{3.2}$ ASME Y14.5	linear	0.X	±0.3		AirMax VS R/A HEADER ASSY PRESS_FIT, 54 POS, 14MM	dwg no 10039851	rev		
		0.XX	±0.10				F		
0.XXX	±0.050								
ASME Y14.5	angular	0°	±2°	www.fci.com	cat. no.	-	Product - Customer Drw	sheet 3 of 5	



A

B

C

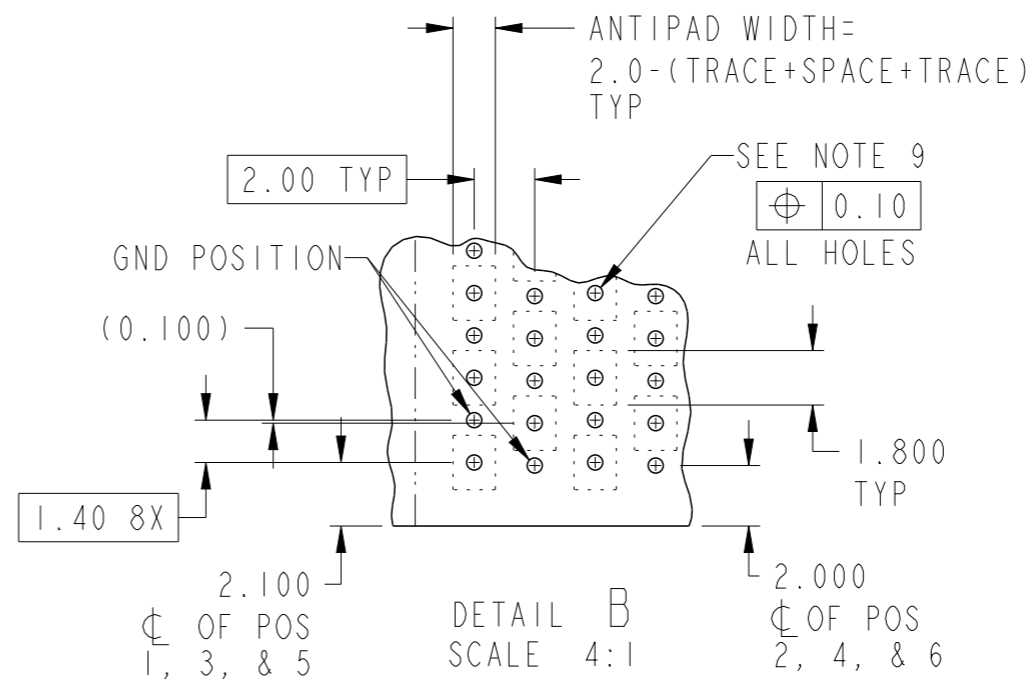
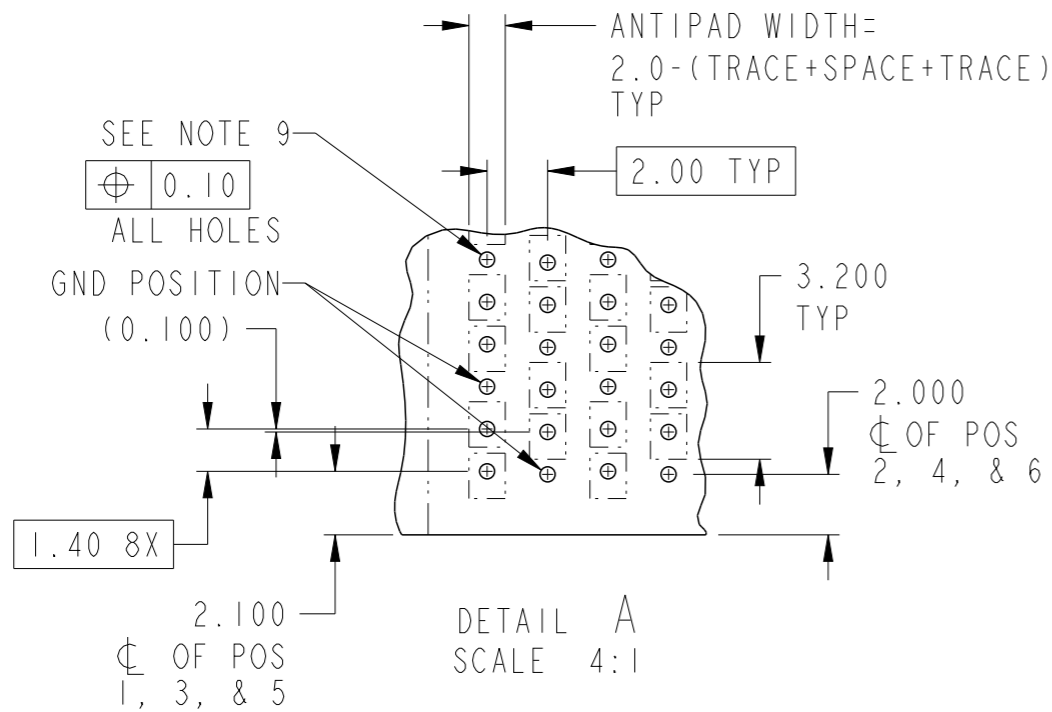
D

A

B

C

D



Copyright FCI.

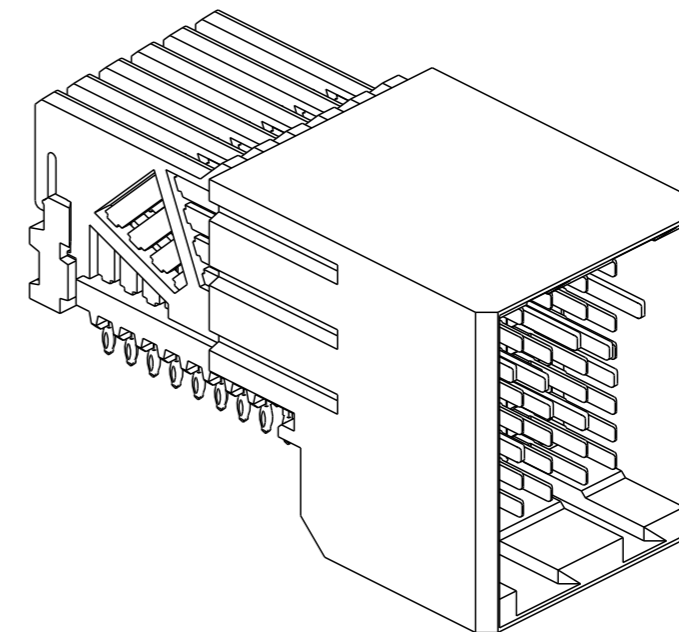
spec ref		dr	Chen-Hong Tan	2006/10/02	projection	MM	size	A3	scale	2:1
tolerance std		eng	Yong-Keat Lim	2011/05/30			ecn no		ELX-S-003991-1	
ASME Y14.5		chr	-	-			rel level		Released	
TOLERANCES UNLESS OTHERWISE SPECIFIED		appr	Chen-Hong Tan	2011/05/30	product family		AirMax VS		rev	
surface	3.2	linear	0.X	±0.3		AirMax VS R/A HEADER ASSY		dwg no	10039851	
			0.XX	±0.10						
			0.XXX	±0.050		PRESS_FIT, 54 POS, 14MM			F	
ASME Y14.5		angular	0°	±2°	www.fci.com	cat. no.	-	Product - Customer Drw		sheet 4 of 5

PART NUMBER	PRESS-FIT TAIL PLATING TYPE	SHORT DETECT CONTACT
10039851-101	TIN/LEAD ALLOY OVER NICKEL	NO
10039851-101LF	TIN OVER NICKEL (LEAD FREE)	
10039851-111	TIN/LEAD ALLOY OVER NICKEL	YES (SEE NOTE 13)
10039851-111LF	TIN OVER NICKEL (LEAD FREE)	

NOTES:

1. CONNECTOR MATERIALS:
HOUSING & RETAINER: HIGH TEMP THERMOPLASTIC, NATURAL, UL94V-0
IMLA PLASTIC: HIGH TEMP THERMOPLASTIC, BLACK, UL94V-0
CONTACT: COPPER ALLOY
2. CONTACT PLATING:
SEPARABLE INTERFACE:
PERFORMANCE-BASED PLATING, QUALIFIED TO MEET THE REQUIREMENTS OF FCI PRODUCT SPECIFICATION GS-12-239 INCLUDING TELCORDIA GR-1217-CORE (NOVEMBER 1995) CENTRAL OFFICE TEST SEQUENCE

PRESS-FIT TAILS: SEE TABLE
3. PRODUCT SPECIFICATION: GS-12-239
4. APPLICATION SPECIFICATION: GS-20-035
5. PRODUCT MARKING, (PART NUMBER & LOT CODE), ON THIS SURFACE
6. REFER TO CUSTOMER DRAWING 10035911 FOR INFORMATION REGARDING PCB LAYOUT OF POWER AND GUIDE MODULES RELATIVE TO SIGNAL MODULES
7. POSITIONS F OF ODD NUMBERED COLUMNS AND POSITIONS G OF EVEN NUMBERED COLUMNS CORRESPOND TO EARLY MATE HEADER PINS
8. THERE IS NO GROUND BUSSING WITHIN THE CONNECTOR SYSTEM
9. REFER TO CUSTOMER DRAWING 10045979 FOR INFORMATION ON PCB HOLE DIAMETERS AND PLATING OPTIONS.



10. LEAD FREE PRODUCT MEETS EUROPEAN UNION DIRECTIVES AND OTHER COUNTRY REGULATIONS AS DESCRIBED IN GS-22-008.
11. THE HOUSING WILL WITHSTAND EXPOSURE TO 260°C PEAK TEMPERATURE FOR 40 SECONDS IN A CONVECTION, INFRA-RED OR VAPOR PHASE REFLOW OVEN.
12. PACKAGING MEETS GS-14-920 LEAD FREE LABELING SPECIFICATION.
13. MATING PIN E4 HAS 0.5mm LESS NOMINAL WIPE THAN THE SHORTEST SIGNAL PIN.



Copyright FCI.

spec ref		dr	Chen-Hong Tan	2006/10/02	projection	MM	size	A3	scale	3:1
tolerance std		eng	Yong-Keat Lim	2011/05/30			ecn no		ELX-S-003991-1	
ASME Y14.5		chr	-	-			rel level		Released	
surface 3.2		appr	Chen-Hong Tan	2011/05/30	product family		AirMax VS		rev	
ASME Y14.5				AirMax VS R/A HEADER ASSY PRESS_FIT, 54 POS, 14MM		dwg no 10039851		rev F		
TOLERANCES UNLESS OTHERWISE SPECIFIED linear: 0.X ±0.3, 0.XX ±0.10, 0.XXX ±0.050 angular: 0° ±2°		www.fci.com		cat. no.	-	Product - Customer Drw		sheet 5 of 5		

Mouser Electronics

Authorized Distributor

Click to View Pricing, Inventory, Delivery & Lifecycle Information:

[FCI / Amphenol:](#)

[10039851-101LF](#) [10039851-111LF](#)