



Main

| | |
|---------------------------|---------------------|
| Range of product | Zelio Logic |
| Product or component type | Compact smart relay |

Complementary

| | |
|--------------------------------|--|
| Local display | With |
| Number of control scheme lines | 120 with ladder programming <= 200 with FBD programming |
| Cycle time | 6...90 ms |
| Backup time | 10 years at 25 °C |
| Clock drift | 6 s/month at 25 °C 12 min/year at 0...55 °C |
| Checks | Program memory on each power up |
| [Us] rated supply voltage | 24 V AC |
| Supply voltage limits | 20.4...28.8 V |
| Supply frequency | 50/60 Hz |
| Supply current | 233 mA (without extension) |
| Power consumption in VA | 6 VA without extension |
| Isolation voltage | 1780 V |
| Protection type | Against inversion of terminals (control instructions not executed) |
| Discrete input number | 12 |
| Discrete input voltage | 24 V AC |
| Discrete input current | 4.4 mA |
| Discrete input frequency | 47...53 Hz 57...63 Hz |
| Voltage state 1 guaranteed | >= 14 V for discrete input |
| Voltage state 0 guaranteed | <= 5 V for discrete input |
| Current state 1 guaranteed | > 2 mA for discrete input |
| Current state 0 guaranteed | < 0.5 mA for discrete input |
| Input impedance | 4.6 kOhm (discrete input) |
| Number of outputs | 8 relay output(s) |
| Output voltage limits | 5...30 V DC (relay output) 24...250 V AC |
| Contacts type and composition | NO for relay output |
| Output thermal current | 8 A for all 8 outputs (relay output) |
| Electrical durability | 500000 cycles DC-13 at 24 V, 0.6 A for relay output conforming to EN/IEC 60947-5-1 500000 cycles DC-12 at 24 V, 1.5 A for relay output conforming to EN/IEC 60947-5-1 500000 cycles AC-15 at 230 V, 0.9 A for relay output conforming to EN/IEC 60947-5-1 500000 cycles AC-12 at 230 V, 1.5 A for relay output conforming to EN/IEC 60947-5-1 |

The information provided in this documentation contains general descriptions and/or technical characteristics of the performance of the products contained herein. This documentation is not intended as a substitute for and is not to be used for determining suitability or reliability of these products for specific user applications. It is the duty of any such user or integrator to perform the appropriate and complete risk analysis, evaluation and testing of the products with respect to the relevant specific application or use thereof. Neither Schneider Electric Industries SAS nor any of its affiliates or subsidiaries shall be responsible or liable for misuse of the information contained herein.

| | |
|--|---|
| Switching capacity in mA | >= 10 mA at 12 V (relay output) |
| Operating rate in Hz | 10 Hz (no load) for relay output 0.1 Hz (at Ie) for relay output |
| Mechanical durability | 10000000 cycles (relay output) |
| [Uimp] rated impulse withstand voltage | 4 kV conforming to EN/IEC 60947-1 and EN/IEC 60664-1 |
| Clock | With |
| Response time | 50...255 ms with FBD programming (from state 1 to state 0) for discrete input 50...255 ms with FBD programming (from state 0 to state 1) for discrete input 50 ms with ladder programming (from state 1 to state 0) for discrete input 50 ms with ladder programming (from state 0 to state 1) for discrete input 5 ms (from state 1 to state 0) for relay output 10 ms (from state 0 to state 1) for relay output |
| Connections - terminals | Screw terminals, clamping capacity: 2 x 0.25...2 x 0.75 mm ² AWG 24...18 flexible with cable end Screw terminals, clamping capacity: 2 x 0.2...2 x 1.5 mm ² AWG 24...16 solid Screw terminals, clamping capacity: 1 x 0.25...1 x 2.5 mm ² AWG 24...14 flexible with cable end Screw terminals, clamping capacity: 1 x 0.2...1 x 2.5 mm ² AWG 25...14 solid Screw terminals, clamping capacity: 1 x 0.2...1 x 2.5 mm ² AWG 25...14 semi-solid |
| Tightening torque | 0.5 N.m |
| Overvoltage category | III conforming to EN/IEC 60664-1 |
| Product weight | 0.38 kg |

Environment

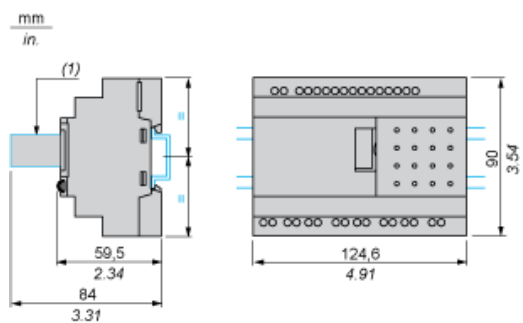
| | |
|---------------------------------------|---|
| Immunity to microbreaks | <= 10 ms repeated 20 times |
| Product certifications | CSA C-Tick GL GOST UL |
| Standards | EN/IEC 60068-2-27 Ea EN/IEC 60068-2-6 Fc EN/IEC 61000-4-11 EN/IEC 61000-4-12 EN/IEC 61000-4-2 level 3 EN/IEC 61000-4-3 EN/IEC 61000-4-4 level 3 EN/IEC 61000-4-5 EN/IEC 61000-4-6 level 3 |
| IP degree of protection | IP40 (front panel) conforming to IEC 60529 IP20 (terminal block) conforming to IEC 60529 |
| Environmental characteristic | Low voltage directive conforming to EN/IEC 61131-2 EMC directive conforming to EN/IEC 61131-2 zone B EMC directive conforming to EN/IEC 61000-6-4 EMC directive conforming to EN/IEC 61000-6-3 EMC directive conforming to EN/IEC 61000-6-2 |
| Disturbance radiated/conducted | Class B conforming to EN 55022-11 group 1 |
| Pollution degree | 2 conforming to EN/IEC 61131-2 |
| Ambient air temperature for operation | -20...55 °C conforming to IEC 60068-2-1 and IEC 60068-2-2 -20...40 °C in non-ventilated enclosure conforming to IEC 60068-2-1 and IEC 60068-2-2 |
| Ambient air temperature for storage | -40...70 °C |
| Operating altitude | 2000 m |
| Altitude transport | <= 3048 m |
| Relative humidity | 95 % without condensation or dripping water |

Contractual warranty

| | |
|--------|--|
| Period | Срок гарантии на Оборудование составляет 18 месяцев со дня ввода его в эксплуатацию, что подтверждается соответствующим документом, но не более 24 месяцев с даты поставки |
|--------|--|

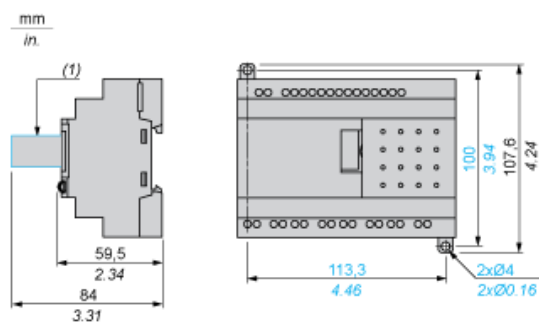
Compact and Modular Smart Relays

Mounting on 35 mm/1.38 in. DIN Rail



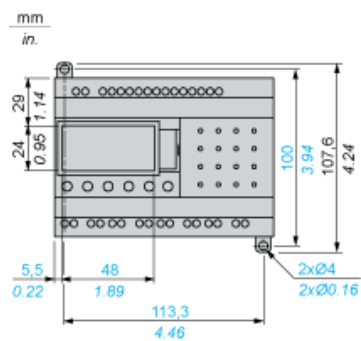
(1) With SR2USB01 or SR2BTC01

Screw Fixing (Retractable Lugs)



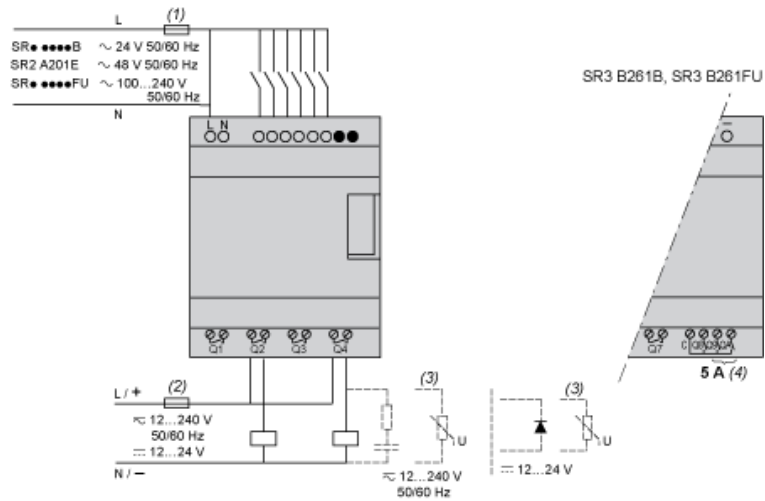
(1) With SR2USB01 or SR2BTC01

Position of Display



Connection of Smart Relays on AC Supply

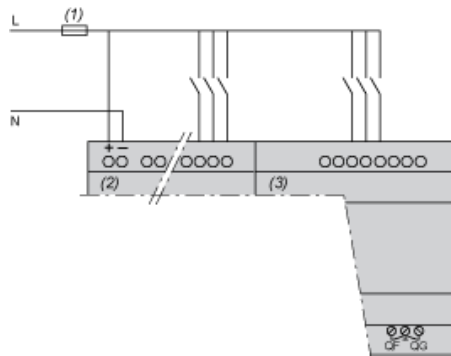
SR••••1B, SR••••1FU



- (1) 1 A quick-blow fuse or circuit-breaker.
- (2) Fuse or circuit-breaker.
- (3) Inductive load.
- (4) Q9 and QA: 5 A (max. current in terminal C: 10 A).

With Discrete I/O Extension Module

SR3B•••B + SR3XT•••B, SR3B•••FU + SR3XT•••FU



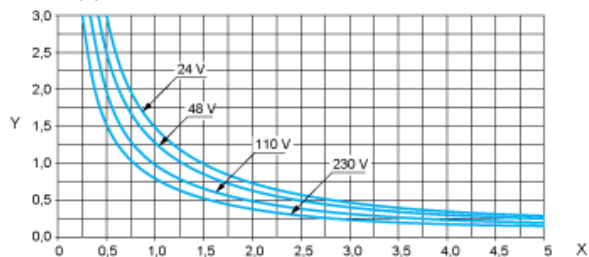
- (1) 1 A quick-blow fuse or circuit-breaker.
- QF and QG: 5 A for SR3XT141••

Compact and Modular Smart Relays

Electrical Durability of Relay Outputs

(in millions of operating cycles, conforming to IEC/EN 60947-5-1)

AC-12 (1)

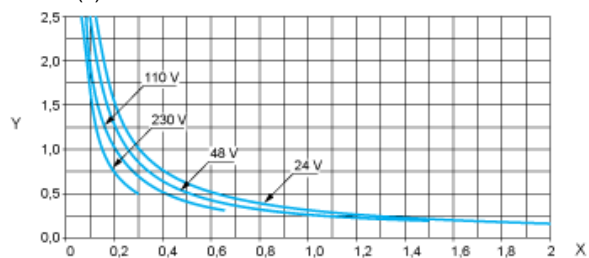


X: Current (A)

Y: Millions of operating cycles

(1) AC-12: switching resistive loads and opto-coupler isolated solid-state loads, $\cos \geq 0.9$.

AC-14 (1)

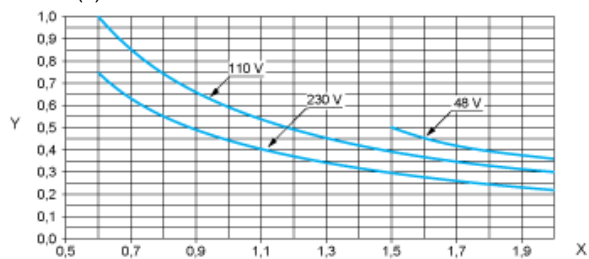


X: Current (A)

Y: Millions of operating cycles

(1) AC-14: switching small electromagnetic loads ≤ 72 VA, make: $\cos = 0.3$, break: $\cos = 0.3$.

AC-15 (1)



X: Current (A)

Y: Millions of operating cycles

(1) AC-15: switching electromagnetic loads ≥ 72 VA, make: $\cos = 0.7$, break: $\cos = 0.4$.

Mouser Electronics

Authorized Distributor

Click to View Pricing, Inventory, Delivery & Lifecycle Information:

[Schneider Electric:](#)

[SR2B201B](#)