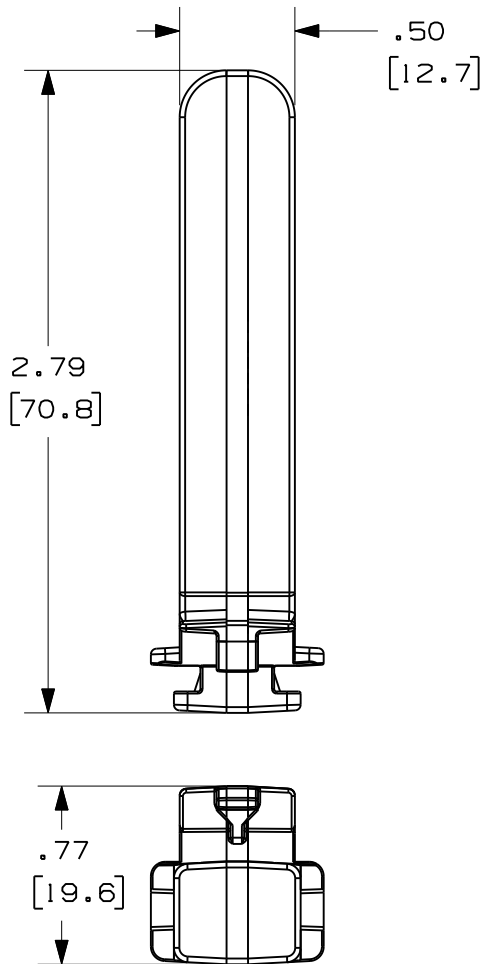
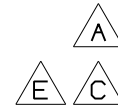


THIS COPY IS PROVIDED ON A RESTRICTED BASIS AND IS NOT TO BE USED IN ANY WAY DETRIMENTAL TO THE INTERESTS OF PANDUIT CORP.

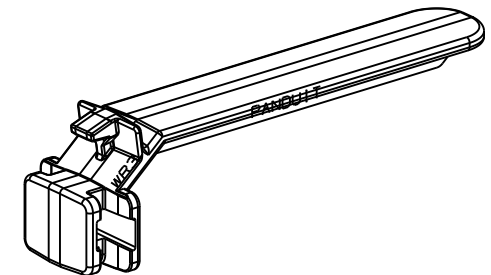
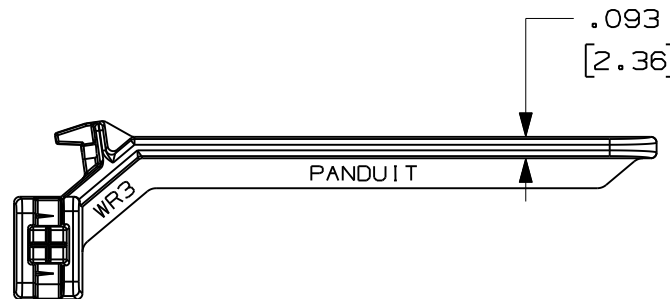


PANDUIT P/N	WEIGHT
WR3	.890 LB/ 100PCS. (405g/ 100PCS.)



**NOTES:**

1. SEE CURRENT CATALOG FOR ADDITIONAL PART SUFFIXES TO INDICATE COLOR AND OR PACKAGE QUANTITY.
2. THIS WIRE RETAINER IS TO BE USED TO RETAIN WIRES IN "G" or "H" DUCT SIZES 3" X 1" THRU 3" X 4".
3. DIMENSIONS IN PARENTHESIS ARE METRIC.



CAD FILENAME/LAYERS D35541DI\_DC\_WR3\_03C.PRT

**PANDUIT** CORP. TINLEY PARK, ILLINOIS  
 WIRING DUCT AND CABLE MANAGEMENT  
 WIRE RETAINER (WR3) FOR USE WITH  
 TYPE "G" & "H" DUCT - CUSTOMER DRAWING

REV	DATE	BY	CHK	DESCRIPTION	ECN	R	CUST	SUP
3	11/10/09	JCST	MRJS	E. CHANGED NOTES D. CHANGED TITLE	35541-61		HIW	HIW
2	3/9/04	JCST	JKG	C. CHANGED NOTES B. CHANGED TITLE	35541-61		HIW	HIW
1	8-29-00	JHNU	HIW	A. REVISED AND REDRAWN.	35541-61		HIW	HIW
R	3-13-97	RCA	CEF	RELEASED TO PRODUCTION	35541-61		CEF	CEF

UNLESS OTHERWISE SPECIFIED, DIMENSIONAL TOLERANCES ARE: (.X) ± (.XXX) ± (.XX) ±.03(.8) ANGLES ±		UNLESS OTHERWISE SPECIFIED, ALL DIMENSIONS ARE GIVEN IN INCHES, THIRD ANGLE PROJECTION.	
DRAWN BY RCA	MAT'L: ABS	SCALE NONE	
DATE 3-13-97		DRAWING NO. 35541-61	DWG A SIZE
CHK'D CEF			

# Mouser Electronics

Authorized Distributor

Click to View Pricing, Inventory, Delivery & Lifecycle Information:

[Panduit:](#)

[WR3-C](#)