

THE INFORMATION CONTAINED HEREIN IS CONSIDERED "PROPRIETARY" TO BEL FUSE INC. AND SHALL NOT BE COPIED, REPRODUCED OR DISCLOSED WITHOUT THE WRITTEN APPROVAL OF BEL FUSE INC.

LED 1 POLARITY			LED 2 POLARITY		
PIN 17	PIN 18	COLOR	PIN 19	PIN 20	COLOR
-	+	YELLOW	+	-	ORANGE
/	/	/	-	+	GREEN

PRELIMINARY



**ELECTRICAL CHARACTERISTICS @ 25°C**

URNS RATIO

TP1	1CT : 1CT	±2%
TP2	1CT : 1CT	±2%
TP3	1CT : 1CT	±2%
TP4	1CT : 1CT	±2%

OCL @ 100kHz/100mVRMS

8mA DC BIAS (0°C - 70°C)	180 μH MIN.
19mA DC BIAS (0°C - 70°C)	120 μH MIN.

INS. LOSS

1MHZ TO 150MHZ	-0.004(fMHZ)-0.4 dB MAX
----------------	-------------------------

RET. LOSS

1MHZ-40MHZ	-20 dB MIN
40.1MHZ-150MHZ	-20+15LOG(f/40MHZ) dB MIN

CROSSTALK

1MHZ - 40MHZ	-35 dB MIN
40.1MHZ-150MHZ	-35+15LOG(f/40MHZ) dB MIN

CM TO CM REJ

1MHZ - 150MHz	-25 dB MIN
---------------	------------

HIPOT (Isolation Voltage): 2250 VDC  
 100% OF PRODUCTION TESTED TO COMPLY WITH  
 IEEE 802.3 ISOLATION REQUIREMENTS.

BALANCED DC LINE CURRENT

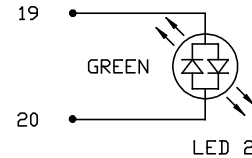
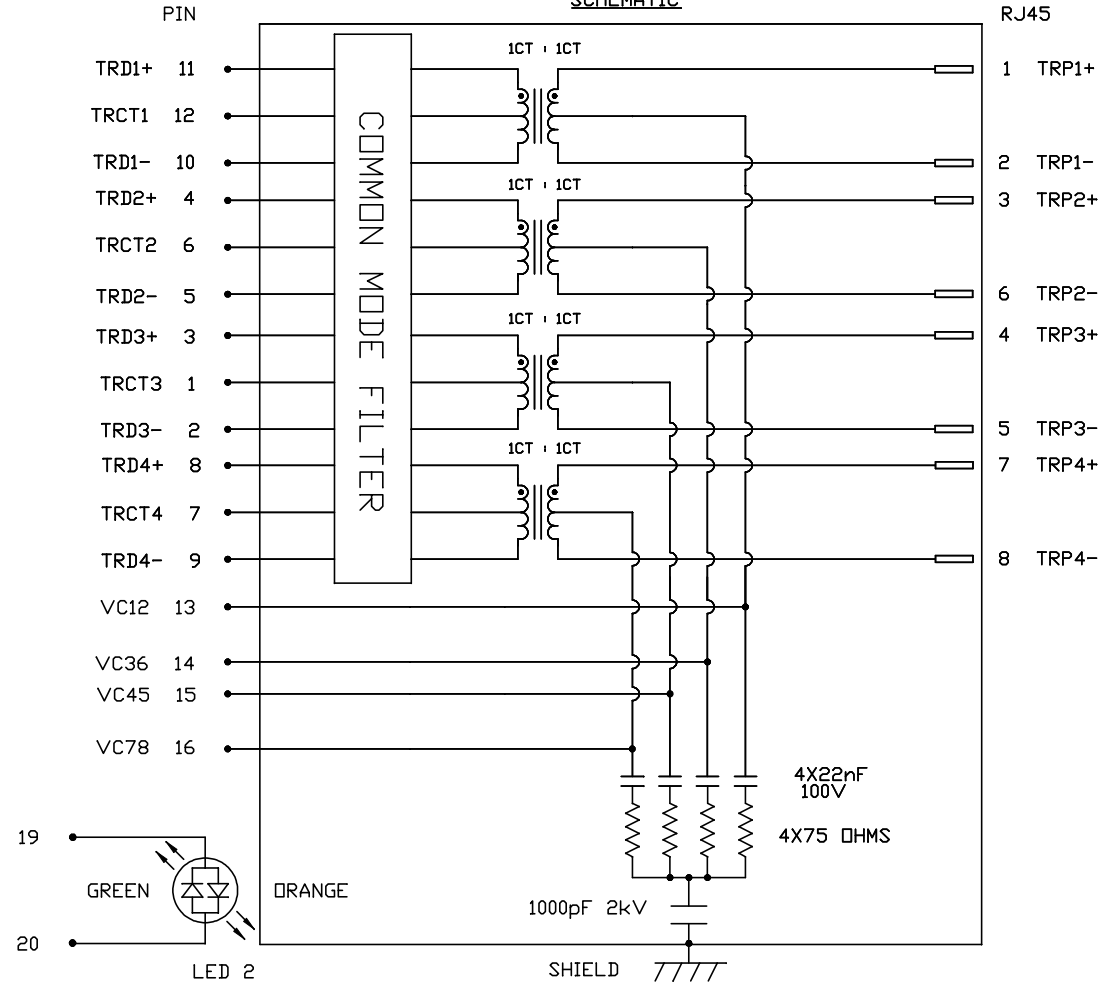
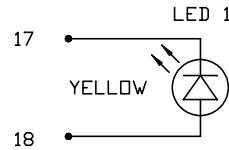
720 mA MAX. @ 57 VDC CONTINUOUS
1.2A MAX. @ 57 VDC FOR 200 MILLISECONDS

LED 1

V <sub>F</sub> (FORWARD VOLTAGE)	I <sub>F</sub> =20mA	YELLOW	2.1V TYP.
λ <sub>D</sub> (DOMINANT WAVELENGTH)	I <sub>F</sub> =20mA	YELLOW	590nm TYP.

LED 2

V <sub>F</sub> (FORWARD VOLTAGE)	I <sub>F</sub> =20mA	GREEN	2.2V TYP.
		ORANGE	2.0V TYP.
λ <sub>D</sub> (DOMINANT WAVELENGTH)	I <sub>F</sub> =20mA	GREEN	570nm TYP.
		ORANGE	605nm TYP.



ORIGINATED BY  
 CHOW WANCHUNG  
 DATE 2015-12-17  
 DRAWN BY  
 MURPHY LEE  
 DATE 2015-12-17

TITLE  
 1X4 2.5 Gigabit MagJack®  
 4PPoE  
 08261-1X4T-HT-F  
 PATENTED

PART NO. / DRAWING NO.  
 08261X4THT-F  
 FILE NAME  
 08261X4THT-F\_PA.DWG

STANDARD DIM. TOL. IN INCH	[ ] METRIC DIM. AS REF.
.X	UNIT : INCH [mm]
.XX	SCALE : N/A
.XXX	SIZE : A4

REV. : PA PAGE : 2

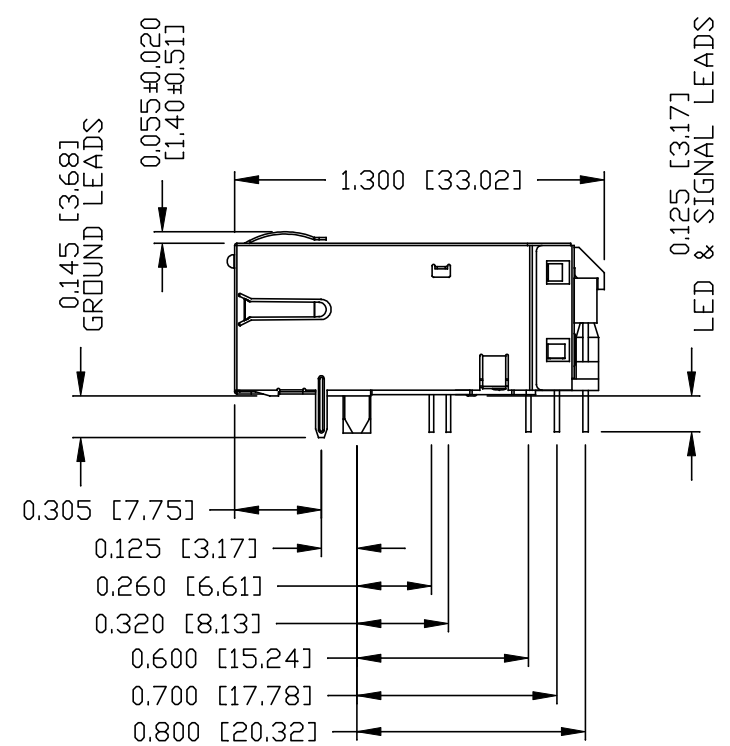
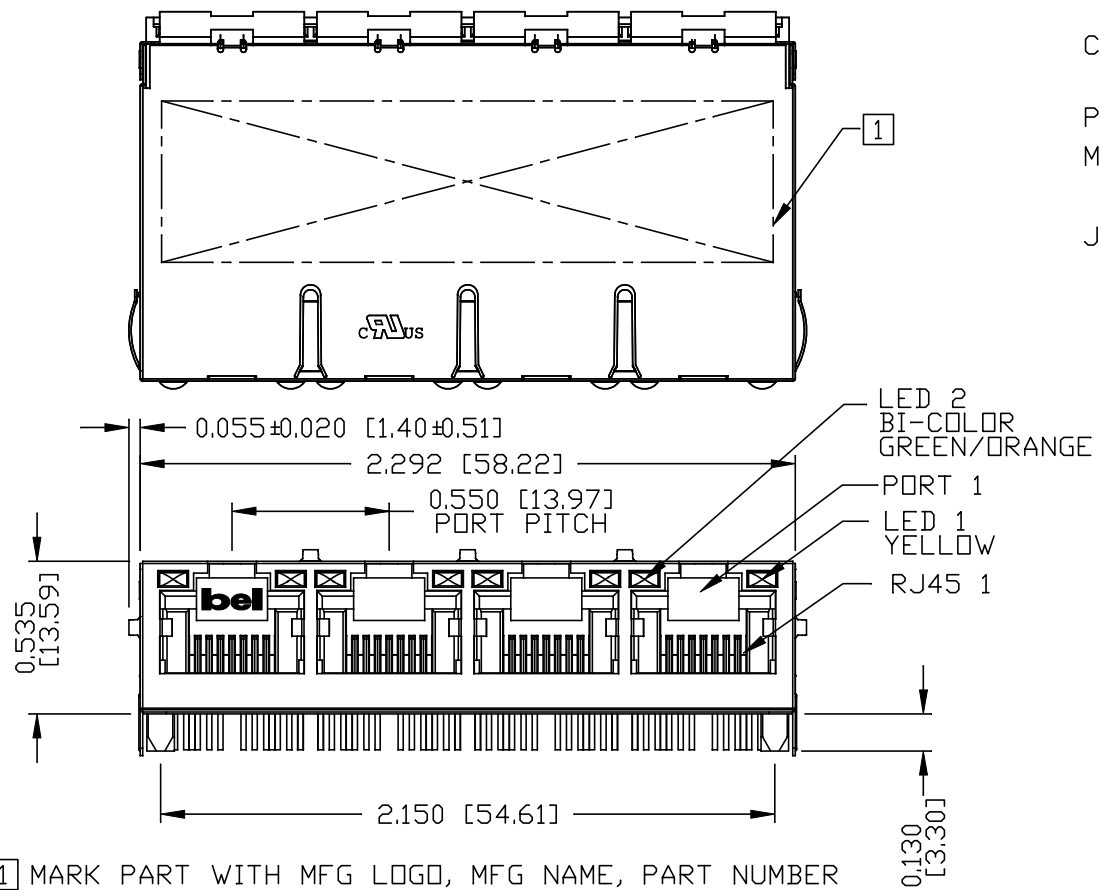


THE INFORMATION CONTAINED HEREIN IS CONSIDERED "PROPRIETARY" TO BEL FUSE INC. AND SHALL NOT BE COPIED, REPRODUCED OR DISCLOSED WITHOUT THE WRITTEN APPROVAL OF BEL FUSE INC.

PRELIMINARY




**NOTES:**  
 PLASTIC HOUSING: THERMOPLASTIC PBT  
 FLAMMABILITY RATING UL 94V-0  
 CONTACTS PLATING: 50 MICRO-INCH HARD GOLD PLATING OR EQUIVALENT.  
 PINS: TIN-COATED COPPER WIRE, DIA 0.018 INCH.  
 METAL SHIELD: NICKEL PLATED ON COPPER ALLOY.  
 (ALL GROUND LEADS ARE SOLDER DIPPED)  
 JACK CAVITY CONFORMS TO FCC RULES AND REGULATIONS.



1. MARK PART WITH MFG LOGO, MFG NAME, PART NUMBER DATE CODE AND PATENTED.
2. THE PRODUCT IS RoHS COMPLIANT.
3. THE PRODUCT IS PATENTED. THE PATENT NUMBER ARE U.S. PAT. 7,123,117.

**UL** RECOGNIZED - FILE #E196366 AND E169987.

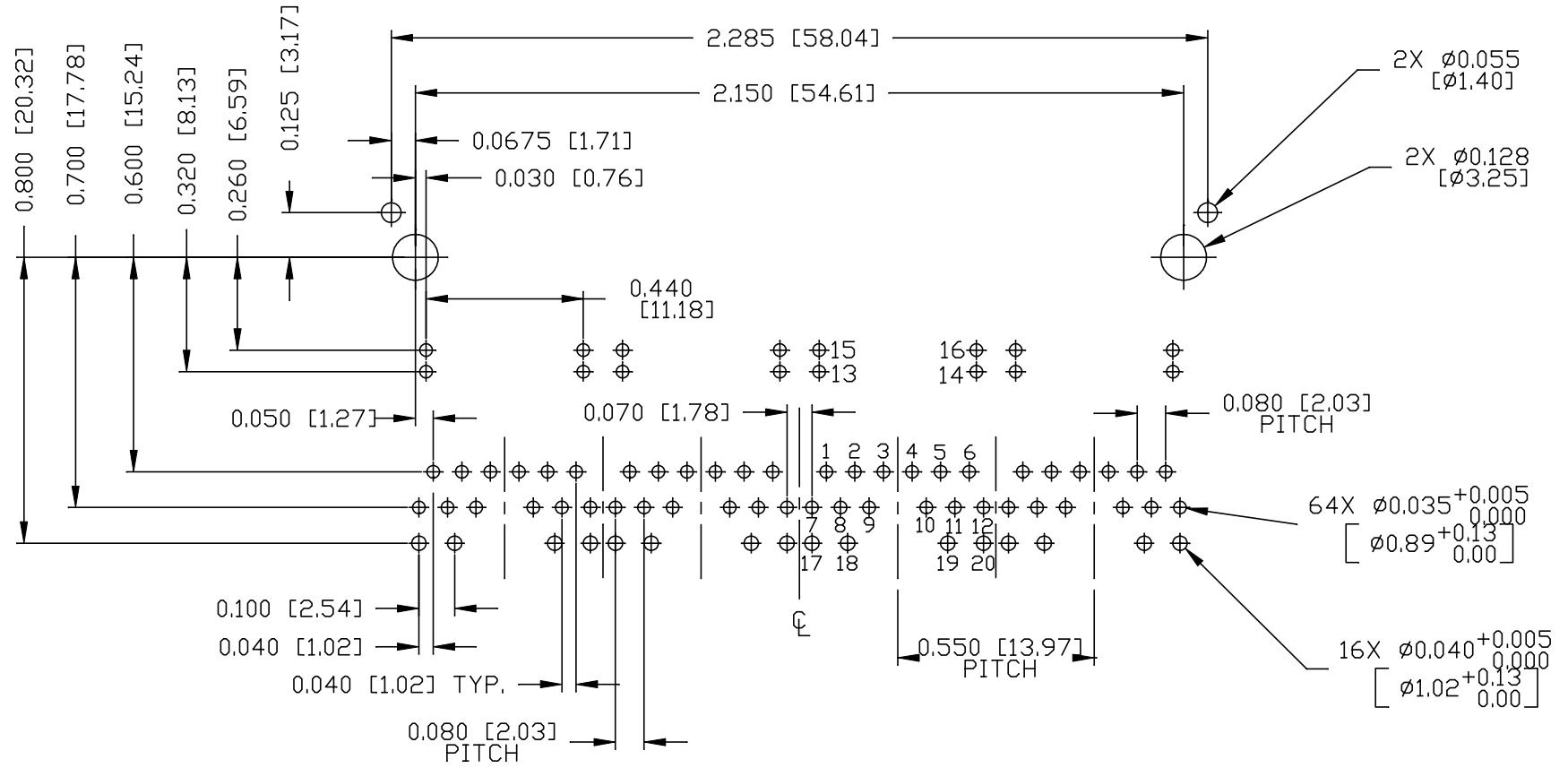
ORIGINATED BY ANTON LIAD DATE 2015-12-17		TITLE 1X4 2.5 Gigabit MagJack® 4PPoE 0826-1X4T-HT-F PATENTED		PART NO. / DRAWING NO. 08261X4THT-F		STANDARD DIM. TOL. IN INCH		[ ] METRIC DIM. AS REF.		REV. : PA      PAGE : 3	
DRAWN BY SANDY LIN DATE 2015-12-17				FILE NAME 08261X4THT-F_PA.DWG		.X .XX .XXX		UNIT : INCH [mm] SCALE : N/A			
						SIZE : A4					

THE INFORMATION CONTAINED HEREIN IS CONSIDERED "PROPRIETARY" TO BEL FUSE INC. AND SHALL NOT BE COPIED, REPRODUCED OR DISCLOSED WITHOUT THE WRITTEN APPROVAL OF BEL FUSE INC.

PRELIMINARY



RECOMMENDED PCB FOOTPRINT  
COMPONENT SIDE VIEW



ORIGINATED BY  
ANTON LIAO  
DATE 2015-12-17  
DRAWN BY  
SANDY LIN  
DATE 2015-12-17

TITLE  
1X4 2.5 gigabit MagJack®  
4PPoE  
0826-1X4T-HT-F  
PATENTED

PART NO. / DRAWING NO.  
08261X4THT-F  
FILE NAME  
08261X4THT-F\_PA.DWG

STANDARD DIM. TOL. IN INCH		[ ] METRIC DIM. AS REF.	
.X		UNIT : INCH [mm]	
.XX		SCALE : N/A	
.XXX	±0.004		SIZE : A4

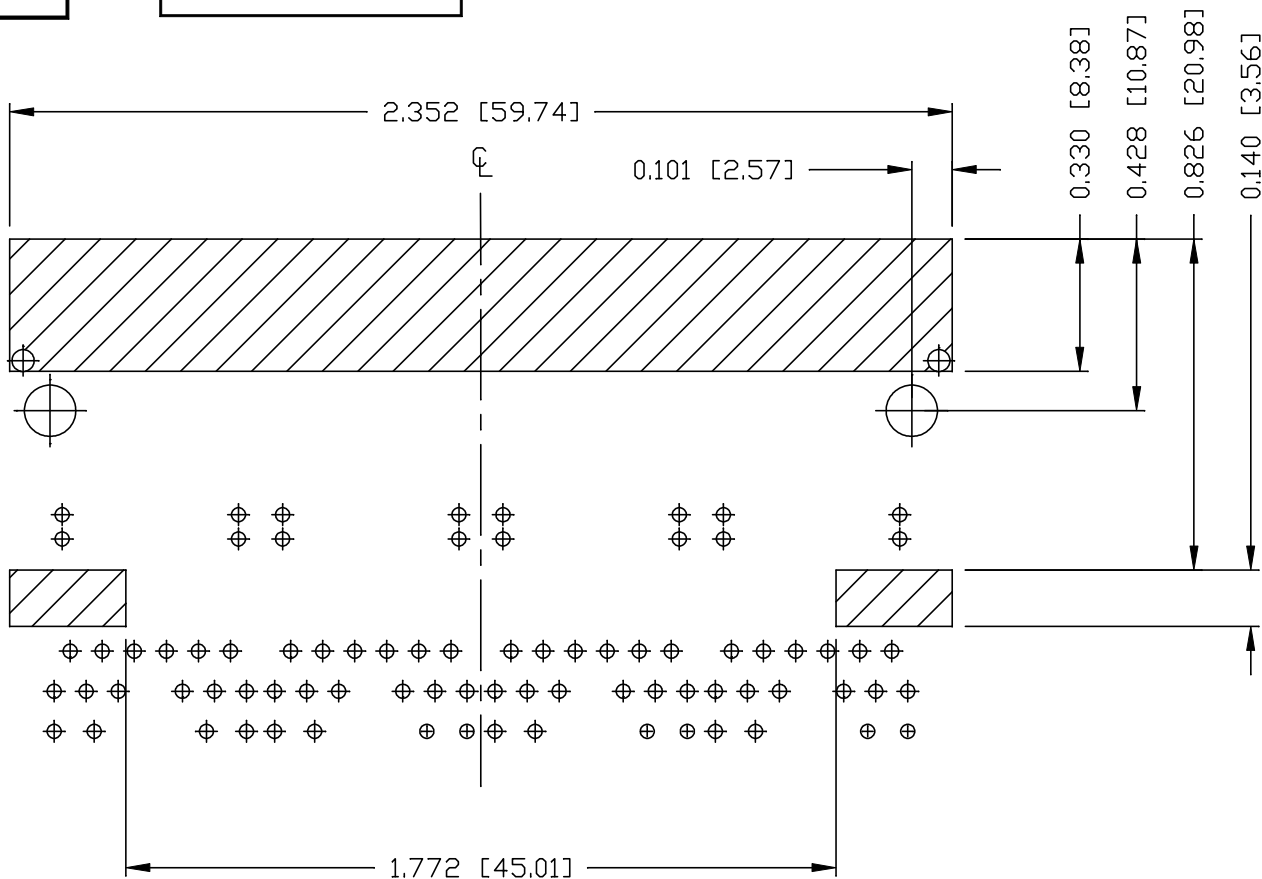
REV. : PA PAGE : 4



THE INFORMATION CONTAINED HEREIN IS CONSIDERED 'PROPRIETARY' TO BEL FUSE INC. AND SHALL NOT BE COPIED, REPRODUCED OR DISCLOSED WITHOUT THE WRITTEN APPROVAL OF BEL FUSE INC.

PRELIMINARY

RoHS



NOTES:

THE SHADED AREA ON THE CUSTOMER BOARD ARE RECOMMENDED TO BE CLEAR OFF ANY VIA HOLE OR COMPONENT PAD.

ORIGINATED BY  
ANTON LIAO  
DATE 2015-12-17

DRAWN BY  
SANDY LIN  
DATE 2015-12-17

TITLE  
1X4 2.5 gigabit MagJack®  
4PPoE  
0826-1X4T-HT-F  
PATENTED

PART NO. / DRAWING NO.  
08261X4THT-F

FILE NAME  
08261X4THT-F\_PA.DWG

STANDARD DIM. TOL. IN INCH	[ ] METRIC DIM. AS REF.
.X	UNIT : INCH [mm]
.XX	SCALE : N/A
.XXX	±0.004
	SIZE : A4

REV. : PA      PAGE : 5

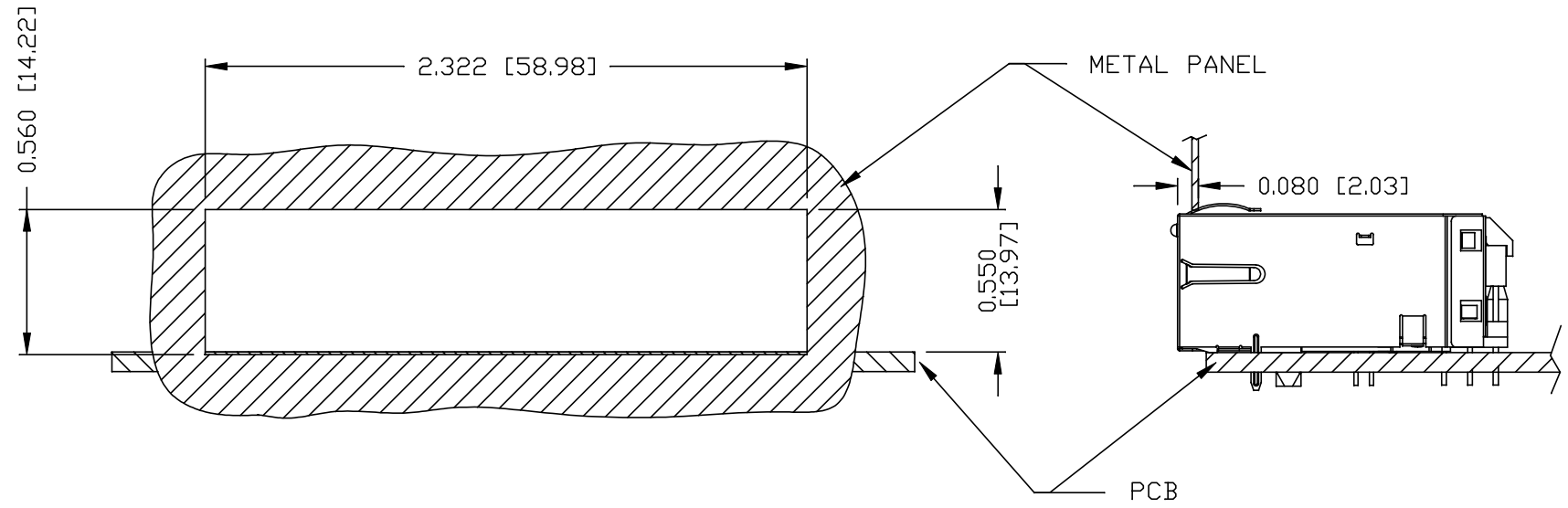


THE INFORMATION CONTAINED HEREIN IS CONSIDERED "PROPRIETARY" TO BEL FUSE INC. AND SHALL NOT BE COPIED, REPRODUCED OR DISCLOSED WITHOUT THE WRITTEN APPROVAL OF BEL FUSE INC.

PRELIMINARY



SUGGESTED PANEL OPENING



NOTES:

THE DISTANCE OF PANEL INSIDE SURFACE RELATIVE TO FRONT SURFACE OF PART IS ONLY A SUGGESTION. IN CASE THIS DISTANCE IS DIFFERENT, THE REQUIRED PANEL OPENING DIMENSIONS CHANGE ACCORDINGLY.

PACKING INFORMATION

PACKING TRAY : 0200-9999-B4 (TOP)  
0200-9999-B5 (BOTTOM)

PACKING QUANTITY : 24 PCS FINISHED GOODS PER TRAY  
10 TRAYS (240 PCS FINISHED GOODS) PER CARTON BOX

NOTE : CARDBOARDS ARE PLACED BETWEEN LAYERS OF PACKING TRAY INSIDE CARTON BOX  
(INCLUDE THE UPPERMOST AND LOWERMOST TRAY)

REV. : PA PAGE : 6

ORIGINATED BY  
ANTON LIAO  
DATE 2015-12-17  
DRAWN BY  
SANDY LIN  
DATE 2015-12-17

TITLE  
1X4 2.5 Gigabit MagJack®  
4PPoE  
0826-1X4T-HT-F  
PATENTED

PART NO. / DRAWING NO.  
08261X4THT-F  
FILE NAME  
08261X4THT-F\_PA.DWG

STANDARD DIM. TOL. IN INCH	[ ] METRIC DIM. AS REF.
.X	UNIT : INCH [mm]
.XX	SCALE : N/A
.XXX	SIZE : A4



# Mouser Electronics

Authorized Distributor

Click to View Pricing, Inventory, Delivery & Lifecycle Information:

Bel:

[0833-2X8R-33-F](#)