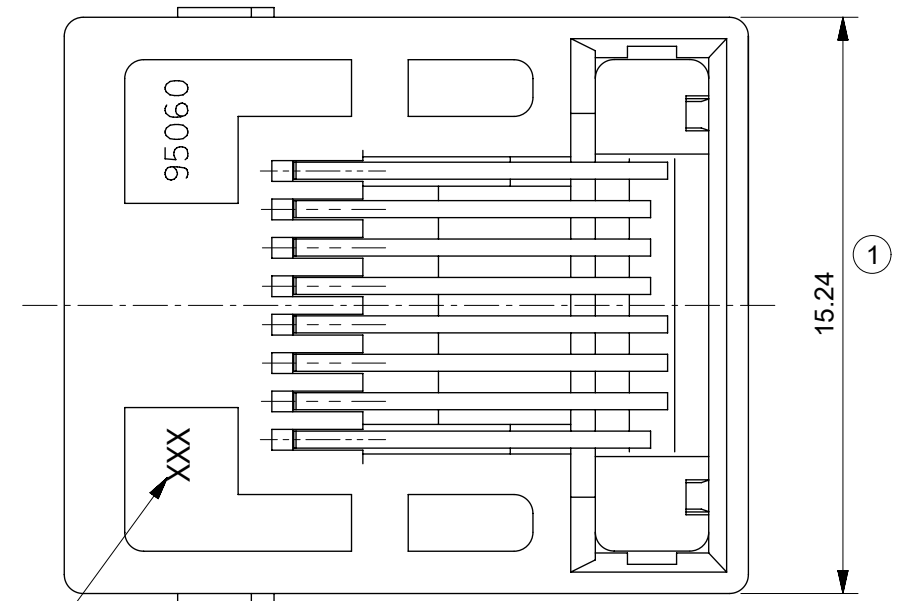
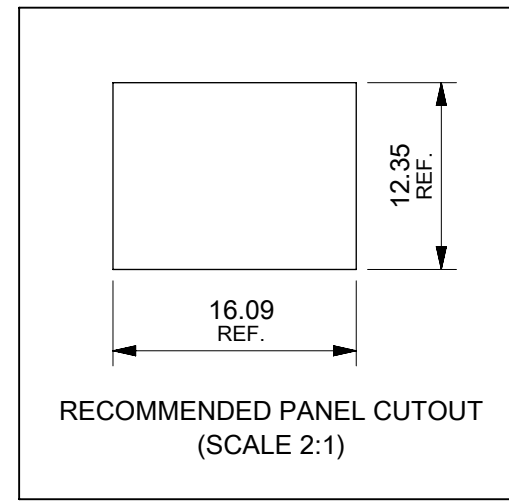


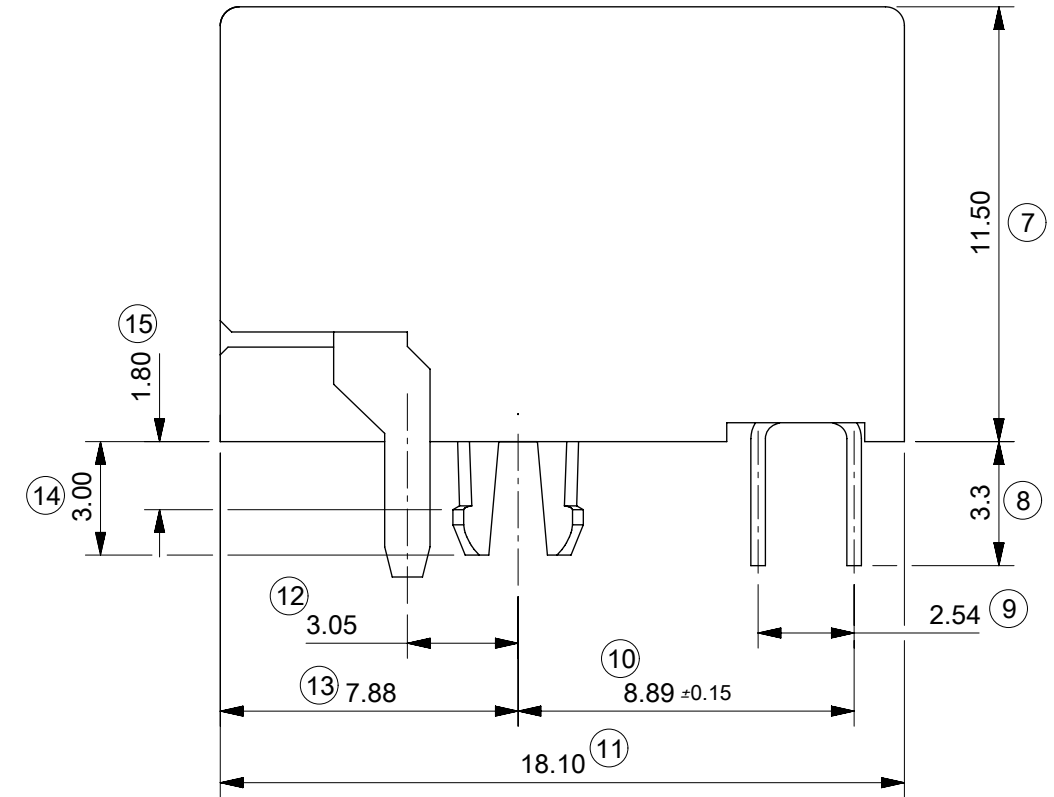
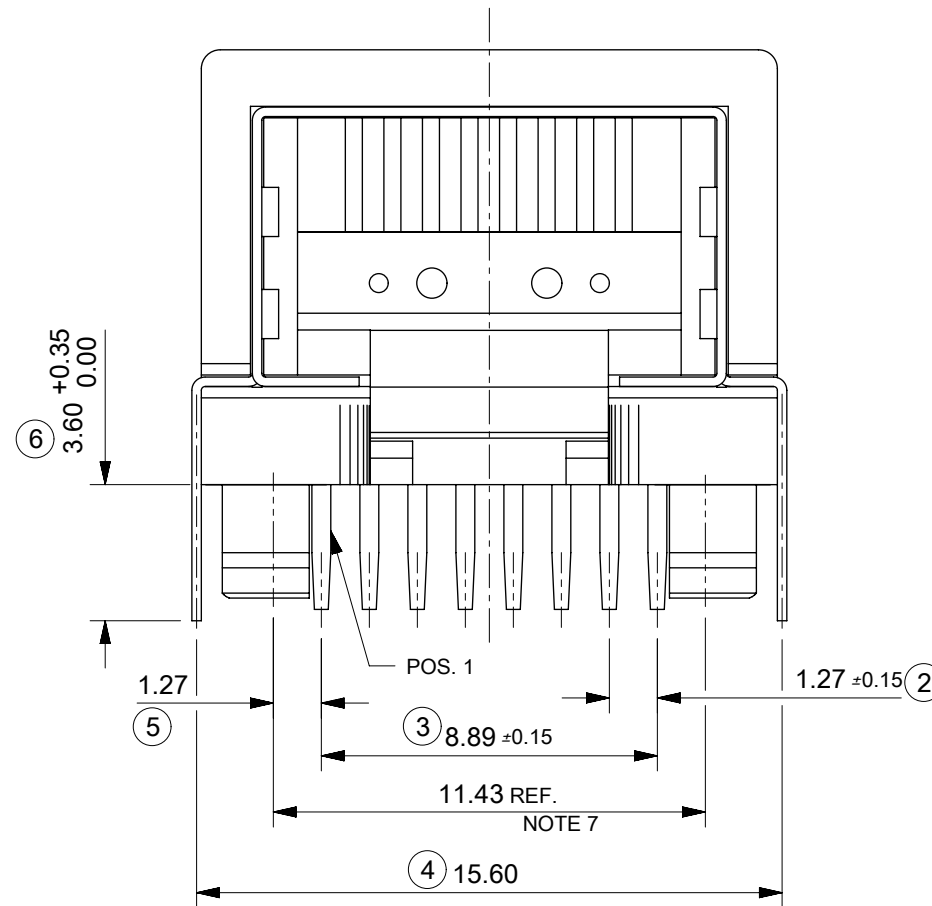
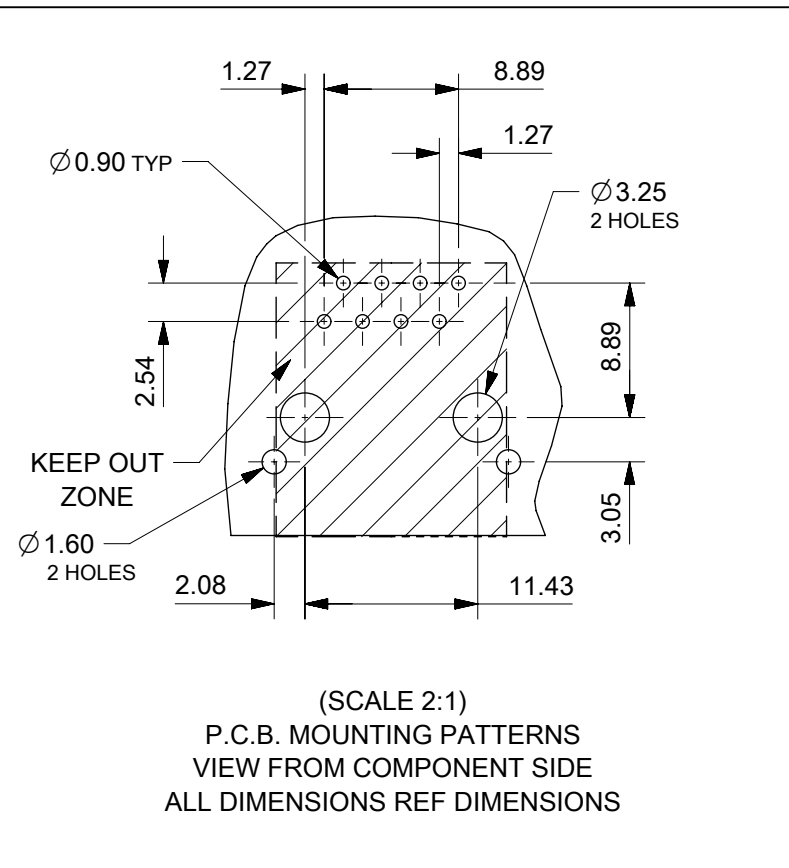
TECHNICAL SPECIFICATIONS:

1. **MATERIAL:**
 HOUSING: LCP GLASS FILLED UL 94-V0 COLOUR: BLACK
 TERMINAL: PHOSPHOR BRONZE PLATED WITH:
 BASE FINISH: NICKEL
 CONTACT SURFACE FINISH:
 GOLD
 OR
 GOLD FLASH OVER PALLADIUM NICKEL.
 EXCEEDS PRODUCT REQUIREMENTS BASED ON PS-85504-001
 SHIELD: BRASS PLATED WITH 0.0020 MIN TIN
2. **P.C. BOARD THICKNESS:** 1.57

| |
|------------|
| PART NO. |
| 85504-5001 |



SEE NOTE 6



NOTES:

- JACK FOR MATING WITH IEC 60603-7 AND TIA-1096-A PLUGS. (95043 MOLEX SERIES).
- PRODUCT SPECIFICATION: MOLEX PS-85504-001
- APPLICATION SPECIFICATION: SEE AS-85513-001
- PACKAGING SPECIFICATION: MOLEX PK-95040.
- EXCEEDS CATEGORY 5E PERFORMANCE.
- MANUFACTURING I.D. MAY BE EITHER MG, MXF, MXI OR MXCH.
- TRUE CENTRE OF PEGS.

LAST INSPECTION NO.: 15

| | | | | |
|--|---|--|-------------------|-----------------|
| FUNCTIONAL SYMBOLS | THIS DRAWING CONTAINS INFORMATION THAT IS PROPRIETARY TO MOLEX ELECTRONIC TECHNOLOGIES, LLC AND SHOULD NOT BE USED WITHOUT WRITTEN PERMISSION | | | |
| | THIS DRAWING CONTAINS INFORMATION THAT IS PROPRIETARY TO MOLEX ELECTRONIC TECHNOLOGIES, LLC AND SHOULD NOT BE USED WITHOUT WRITTEN PERMISSION | CURRENT REV DESC: ADD "MXCH" AS MANUFACTURING I.D. SEE NOTE 6. | | |
| GENERAL TOLERANCES (UNLESS SPECIFIED) | mm | 1:1 | EC NO: 641518 | |
| ANGULAR TOL | ± 2.0° | | DRWN: CRAODOREMS | 2018/02/09 |
| 4 PLACES | ± | | CHK'D: KLANG | 2020/08/25 |
| 3 PLACES | ± | | APPR: KLANG | 2020/08/25 |
| 2 PLACES | ± 0.25 | | INITIAL REVISION: | |
| 1 PLACE | ± 0.35 | | DRWN: DBYRNES | 2007/01/22 |
| 0 PLACES | ± | | APPR: EOMAHONY | 2007/01/25 |
| DRAFT WHERE APPLICABLE MUST REMAIN WITHIN DIMENSIONS | THIRD ANGLE PROJECTION | DRAWING | SERIES | MATERIAL NUMBER |
| | | A3-SIZE | 85504 | SEE CHART |
| | | CUSTOMER | DOCUMENT NUMBER | DOC TYPE |
| | | GENERAL MARKET | SD-85504-501 | PSD |
| | | | DOC PART | REVISION |
| | | | 001 | F1 |
| | | | SHEET NUMBER | |
| | | | 1 OF 1 | |