

PV4 SERIES ANTI-VANDAL SWITCH

ANTI-VANDAL SWITCHES
DETECTOR SWITCHES
DIP SWITCHES
KEYLOCK SWITCHES
NAVIGATION SWITCHES
PUSHBUTTON SWITCHES
ROCKER SWITCHES
ROTARY SWITCHES
SLIDE SWITCHES
SNAP ACTION SWITCHES
TACTILE SWITCHES
TOGGLE SWITCHES
CAP OPTIONS



APPLICATIONS / MARKETS



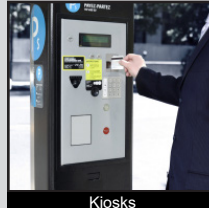
Audio / Visual



Security Devices



Industrial Controls



Kiosks



Electrical Housewares



Medical Equipment

RoHS

SPECIFICATIONS

Electrical Rating: 2A, 24VDC
Electrical Life: 50,000 Cycles
Contact Resistance: 50mΩ Max.
Insulation Resistance: 1000 MΩ Min.
Dielectric Strength: 2,000VAC
Operating/Storage Temperature: -20°C to 55°C
Travel: 2.50mm
Moisture Protection: IP65
Contact Arrangement: SPDT, DPDT
Actuation Force: 4 N
Panel Thickness: 1-11mm
Mounting Nut Torque: 5-14Nm

FEATURES & BENEFITS

- 19mm diameter panel cutout
- RGB LED option
- Dot, ring or power symbol illumination available
- Multiple function options
- IP65 rated
- SPDT & DPDT

PART NUMBER CONFIGURATOR

Series	Actuator Options	Terminal Options	Function Options	Rating Options	Body Finish Options	Actuator Finish Options	Contact Material Options	Lens Style Options	LED-Color Options	Illumination Voltage Options	Graphic (Optional)
PV4	<input type="checkbox"/>	<input type="checkbox"/>	<input type="checkbox"/>	<input type="checkbox"/>	<input type="checkbox"/>	<input type="checkbox"/>	<input type="checkbox"/>	<input type="checkbox"/>	<input type="checkbox"/>	<input type="checkbox"/>	<input type="checkbox"/>
	F - Flat H - High	2 - Solder 6 - Screw*	3 - 1P On - On B - 1P On - (On) G - 2P On - On H - 2P On - (On) Y - Double break 1P Off - (On) 1P On - (Off)	0 - 2A, 24VDC	S - Stainless Steel 1 - Black Anodized	S - Stainless Steel 1 - Black Anodized	None - Silver G - Gold	NONE - Non-Illuminated 2 - Dot Illumination 3 - Ring Illumination	NONE - Non-Illuminated 0 - White 1 - Red 2 - Orange 3 - Green 4 - Blue 5 - Yellow F - Red/Orange G - Red/Green H - Red/Blue J - Red/Yellow K - Orange/Green L - Orange/Blue M - Orange/Yellow R - RGB LED***	NONE - Non-Illuminated 1 - Base Voltage 3 - 6V 4 - 12V 5 - 24V 6 - 125V 7 - 250V	M01 - Power symbol laser etched M26 - Power symbol illuminated**

NOTES:

() denotes function is momentary
 * Screw termination is available only with "Y" function option
 ** Illuminated power symbol graphic is only available with ring Illumination
 *** RGB is only for SPDT functions 3 and B

Specifications subject to change without notice



E-SWITCH®

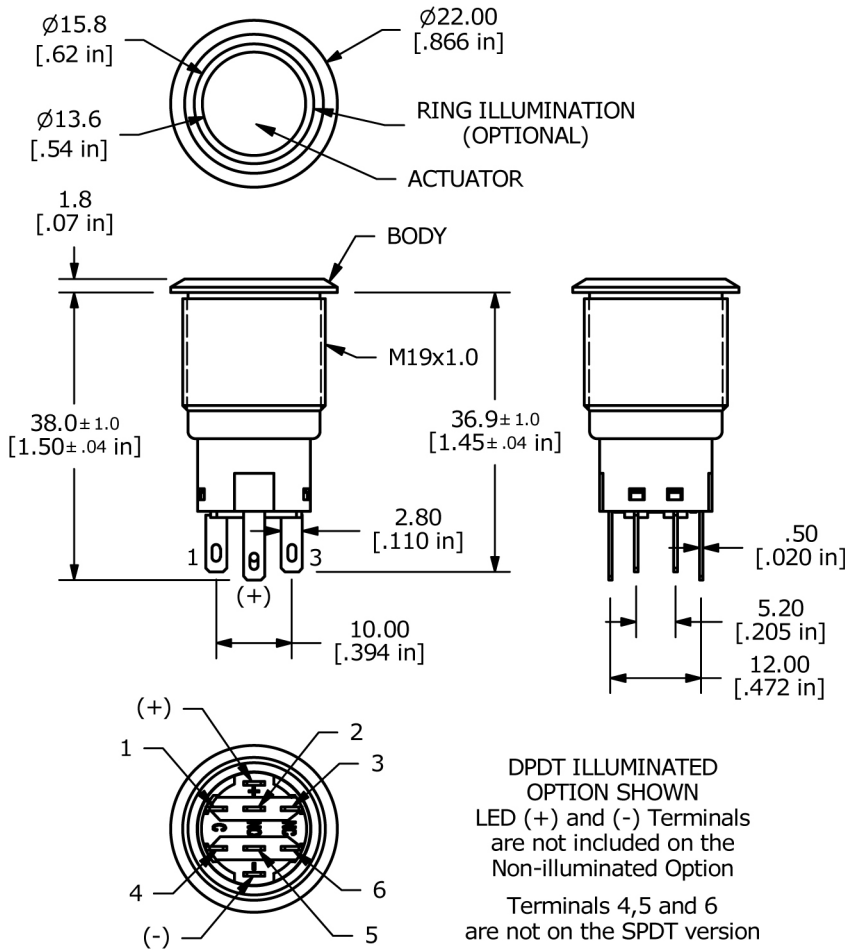
www.e-switch.com

800.867.2717

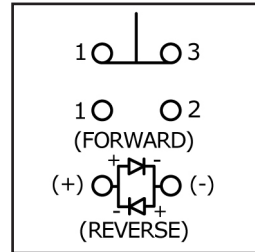
2

PV4 SERIES ANTI-VANDAL SWITCH

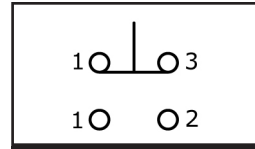
STANDARD LED FUNCTIONS 3, B, G & H



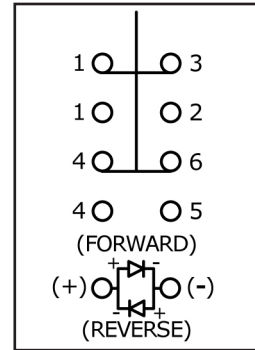
Notes:
 Functions 3 & B are SPDT
 Functions G & H are DPDT



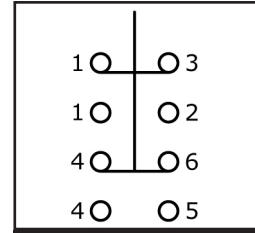
SPDT LED SCHEMATIC



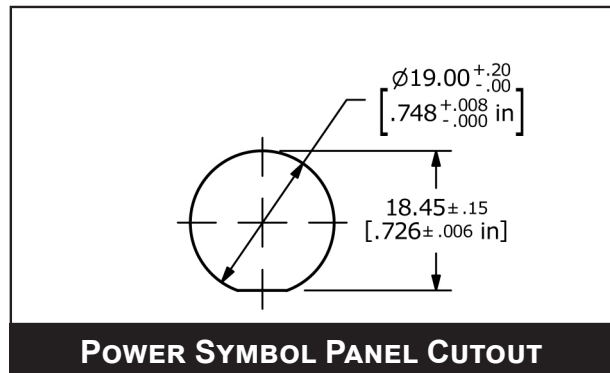
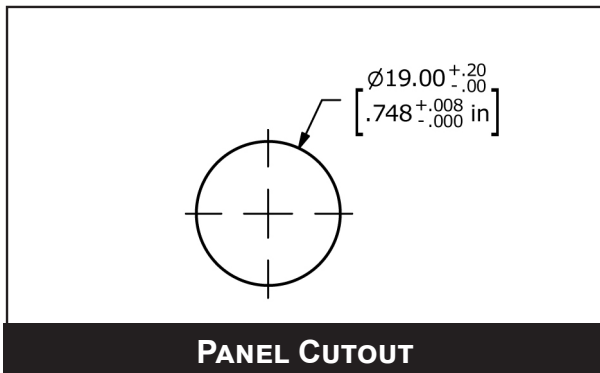
SPDT Non ILL. SCHEMATIC



DPDT LED SCHEMATIC



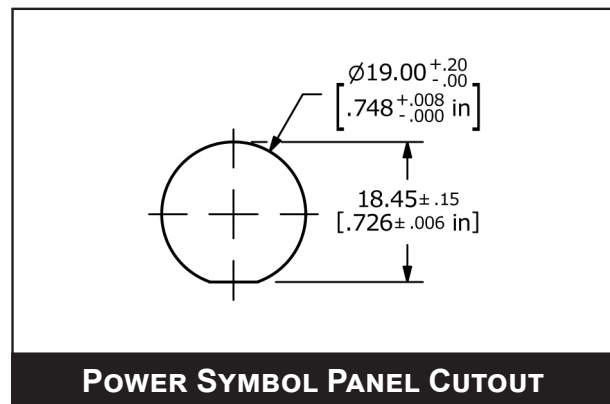
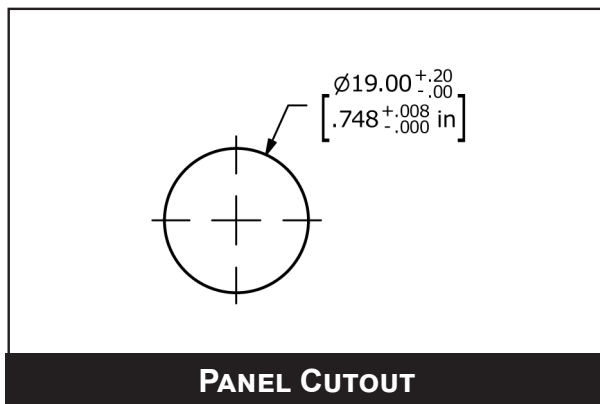
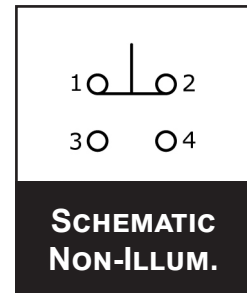
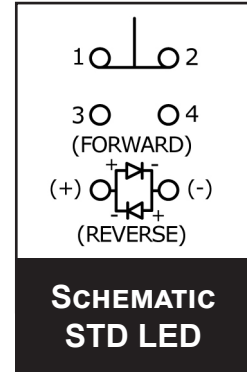
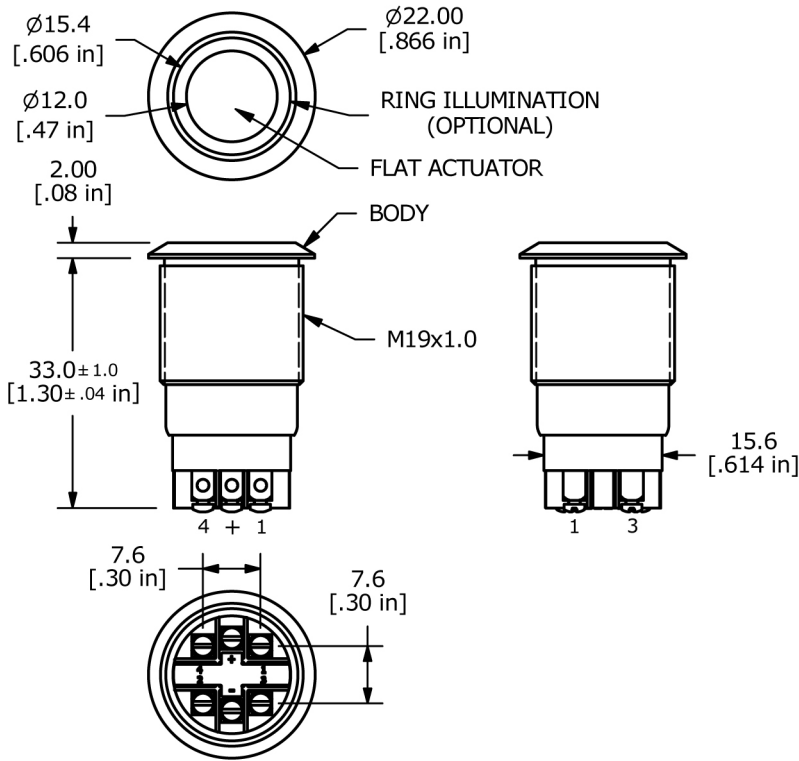
DPDT Non ILL. SCHEMATIC



ANTI-VANDAL SWITCHES
 DETECTOR SWITCHES
 DIP SWITCHES
 KEYLOCK SWITCHES
 NAVIGATION SWITCHES
 PUSHBUTTON SWITCHES
 ROCKER SWITCHES
 ROTARY SWITCHES
 SLIDE SWITCHES
 SNAP ACTION SWITCHES
 TACTILE SWITCHES
 TOGGLE SWITCHES
 CAP OPTIONS

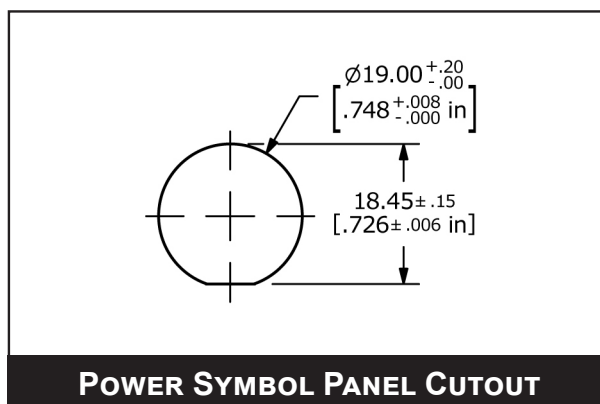
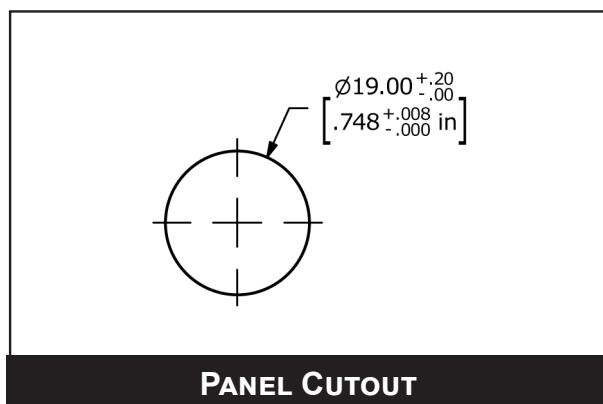
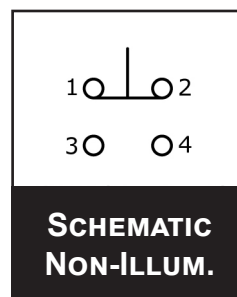
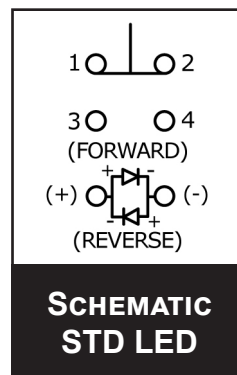
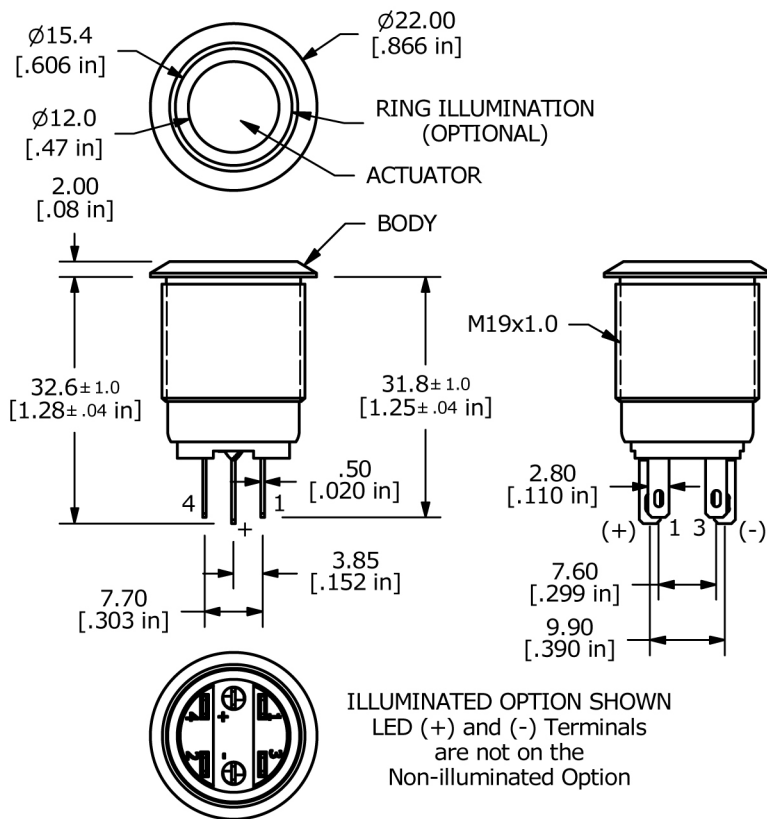
PV4 SERIES ANTI-VANDAL SWITCH

Y FUNCTION W/ SCREW TERMINALS



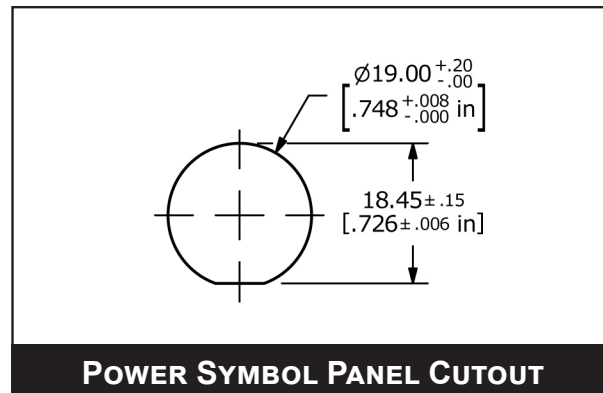
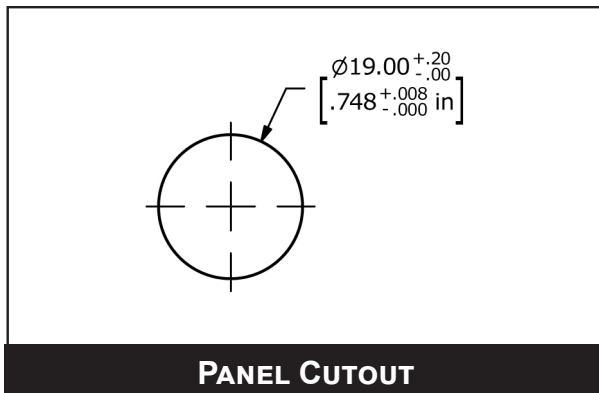
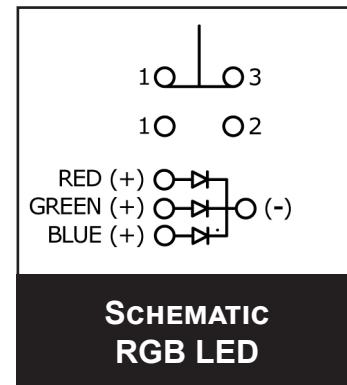
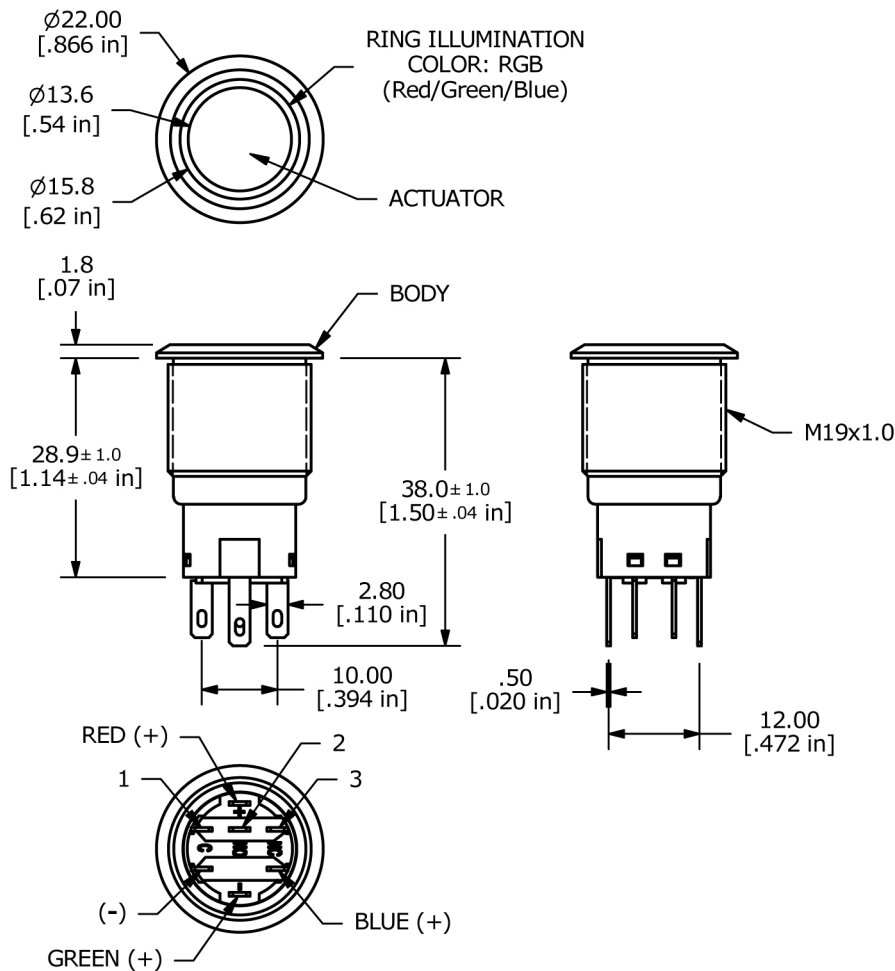
PV4 SERIES ANTI-VANDAL SWITCH

Y FUNCTION W/ SOLDER TERMINALS



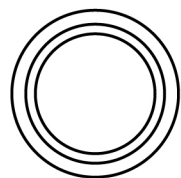
PV4 SERIES ANTI-VANDAL SWITCH

RGB LENS COLOR FUNCTIONS 3 & B

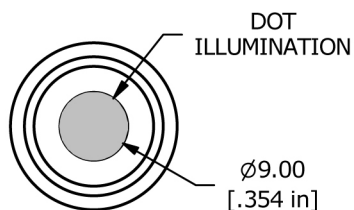


PV4 SERIES ANTI-VANDAL SWITCH

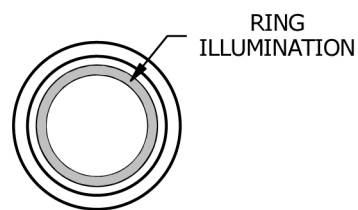
LENS / ACTUATOR OPTIONS



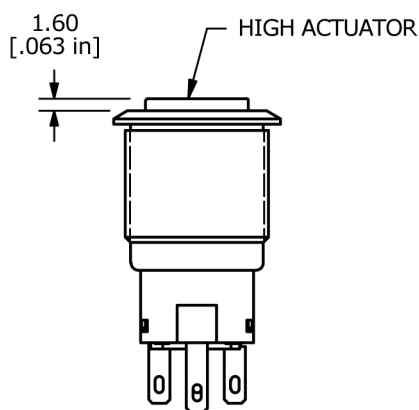
NON-ILLUMINATED



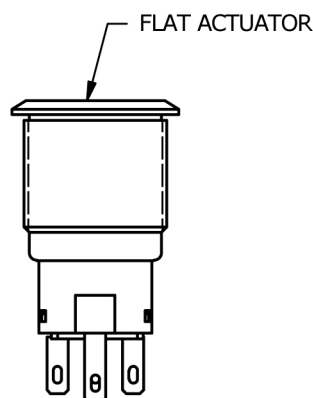
DOT ILLUMINATED



RING ILLUMINATED



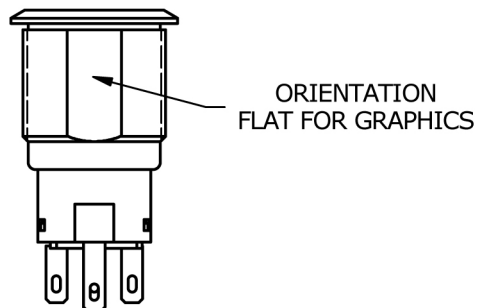
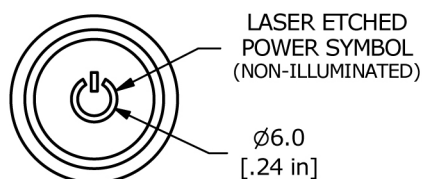
HIGH ACTUATOR



FLAT ACTUATOR

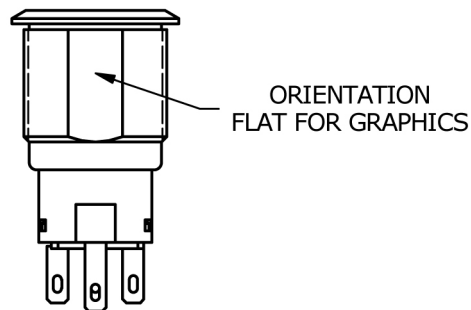
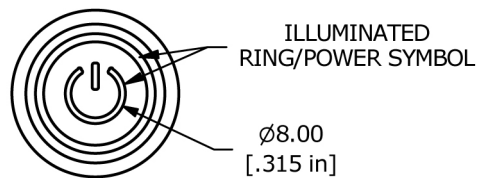
GRAPHIC OPTIONS

M01 GRAPHIC



ORIENTATION FLAT FOR GRAPHICS

M26 GRAPHIC



ORIENTATION FLAT FOR GRAPHICS

ANTI-VANDAL SWITCHES

DETECTOR SWITCHES

DIP SWITCHES

KEYLOCK SWITCHES

NAVIGATION SWITCHES

PUSHBUTTON SWITCHES

ROCKER SWITCHES

ROTARY SWITCHES

SLIDE SWITCHES

SNAP ACTION SWITCHES

TACTILE SWITCHES

TOGGLE SWITCHES

CAP OPTIONS



Mouser Electronics

Authorized Distributor

Click to View Pricing, Inventory, Delivery & Lifecycle Information:

E-Switch:

[PV4F2B0SS-331](#) [PV4F2B0SS-341](#) [PV4F2B0SS-311](#) [PV4F2B0SS-334](#) [PV4F2G0SS-325](#) [PV4F2G0SS-331](#)
[PV4F2H011](#) [PV4F2H0SS-344](#) [PV4F2Y011-345](#) [PV4F2Y0SS-3G5](#) [PV4F6Y0SS-335](#) [PV4F2H011-341](#) [PV4F2Y011-311](#) [PV4F2G011-311](#) [PV4F2Y0SS-341](#) [PV4F2H011-311](#) [PV4F2G011-341](#) [PV4F2Y011-341](#) [PV4F2H0SS-341](#)
[PV4F2G0SS-341](#) [PV4F230SS](#) [PV4F230SS-314](#) [PV4F230SS-315](#) [PV4F230SS-324](#) [PV4F230SS-325](#) [PV4F230SS-331](#) [PV4F230SS-335](#) [PV4F230SS-346](#) [PV4F2G0SS](#) [PV4F2G0SS-314](#) [PV4F2G0SS-334](#) [PV4F2G0SS-344](#)
[PV4F2G0SS-354](#) [PV4F2H0SS-345-M01](#) [PV4F2Y0SS](#) [PV4F2Y0SS-201](#) [PV4F2Y0SS-211](#) [PV4F2Y0SS-214](#)
[PV4F2Y0SS-215](#) [PV4F2Y0SS-216](#) [PV4F2Y0SS-234](#) [PV4F2Y0SS-235](#) [PV4F2Y0SS-241](#) [PV4F2Y0SS-244](#)
[PV4F2Y0SS-245](#) [PV4F2Y0SS-301](#) [PV4F2Y0SS-304](#) [PV4F2Y0SS-311](#) [PV4F2Y0SS-314](#) [PV4F2Y0SS-315](#)
[PV4F2Y0SS-316](#) [PV4F2Y0SS-324](#) [PV4F2Y0SS-325](#) [PV4F2Y0SS-334](#) [PV4F2Y0SS-335](#) [PV4F2Y0SS-344](#)
[PV4F2Y0SS-346](#) [PV4K2T0S9](#) [PV4F23011-334](#) [PV4F2Y011-351](#) [PV4F2B0SS-304](#) [PV4F2Y01S-344](#) [PV4F6Y0SS-341](#) [PV4F2Y01S-314](#) [PV4F2Y011-344](#) [PV4F2Y011-314](#) [PV4F23011](#) [PV4F23011-344](#) [PV4F2Y01S-343](#)
[PV4DS2B0SSG](#) [PV4F2B0SS-344](#) [PV4F2G0SS-335](#) [PV4F23011-341](#) [PV4F2H0SS](#) [PV4F2Y0SS-355](#) [PV4F2B0SS-345](#) [PV4F2G0SS-311](#) [PV4F2H0SS-351](#) [PV4F2H0SS-315](#) [PV4F2B011-344](#) [PV4F2G011](#) [PV4F2B0SS-343](#)
[PV4F2B0SS-315](#) [PV4F2Y0SS-335](#) [PV4F23011-314](#) [PV4F230SS-334](#) [PV4F2Y0SS-345](#) [PV4F2B011-324](#)
[PV4F230SS-M05](#) [PV4F23011-324](#) [PV4F2B0SS-335](#) [PV4F2Y0SS-331](#) [PV4F230SS-341](#) [PV4F2B011-314](#)
[PV4F230SS-345](#) [PV4F2H0SSG](#)