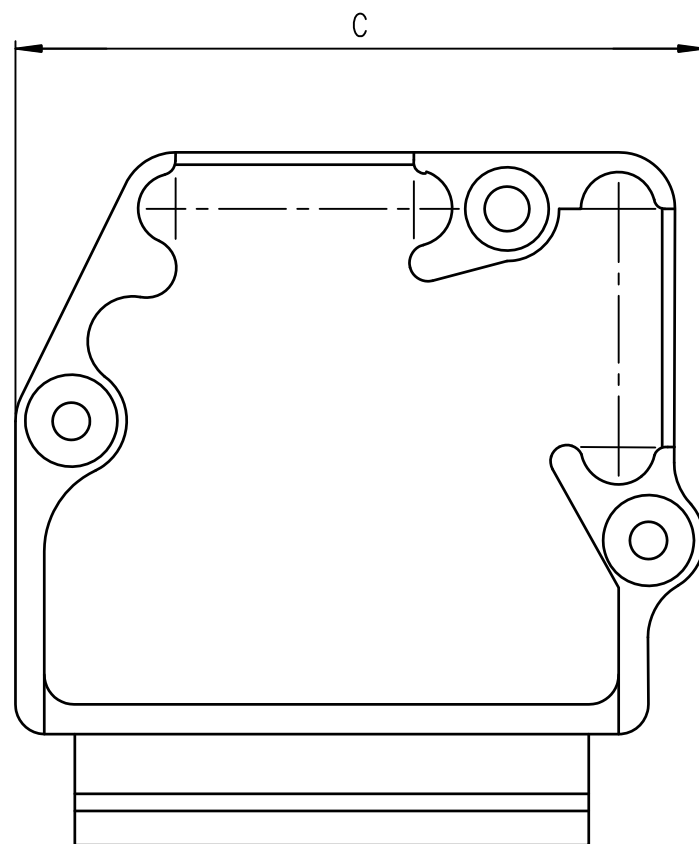
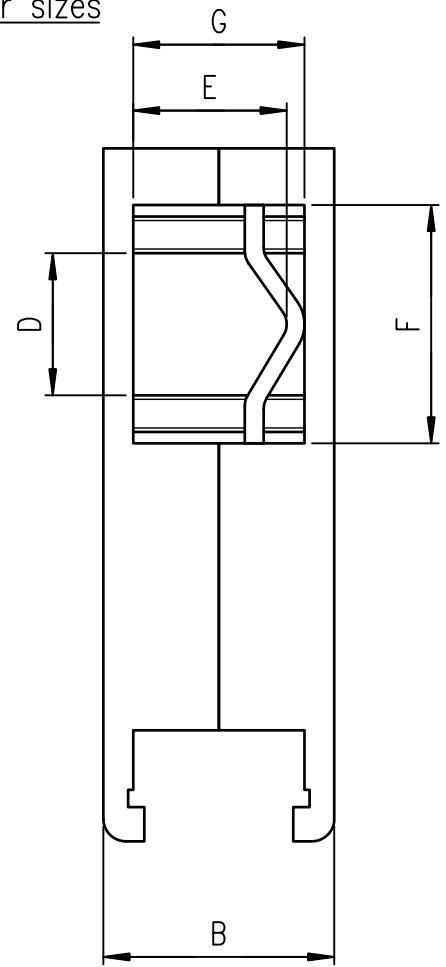
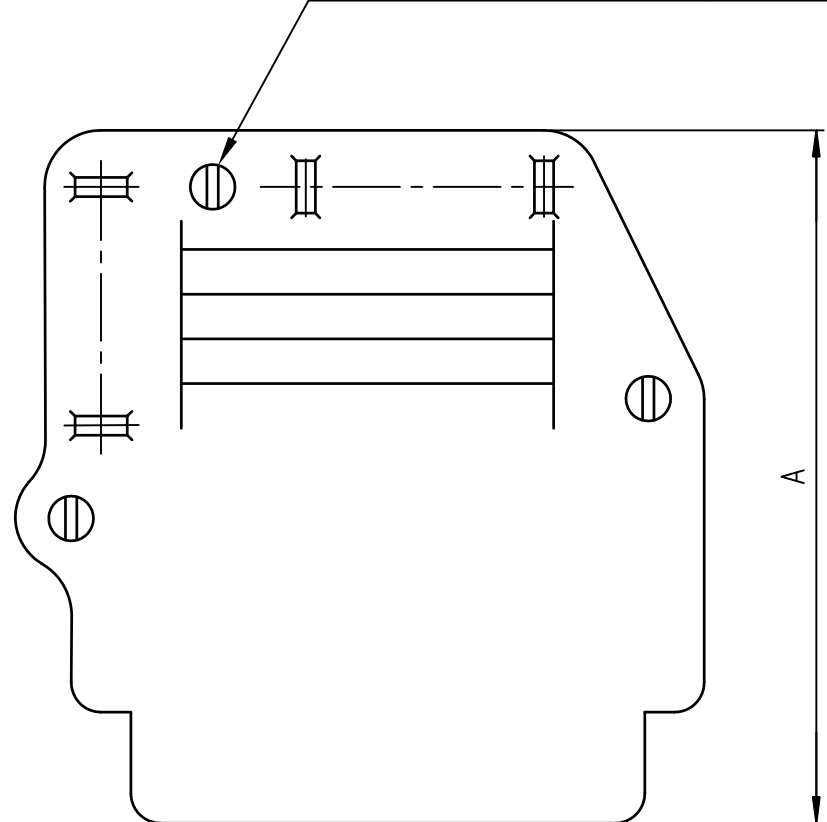


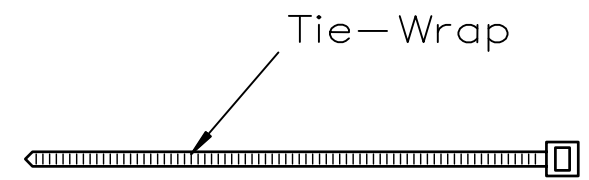
2 Screws for sizes 9&15, 3 for other sizes



MATERIAL:
Metalized thermoplastic

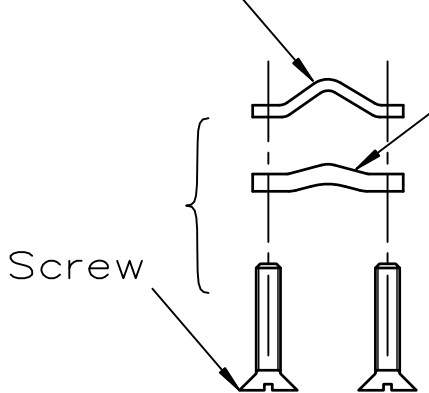
TEMPERATURE RANGE:
- Climatic category
 metallised hood 55°/ +125°
 black hood 55°/ +95°

PACKAGING:
Box of 50 individual sets



CLAMP FOR SIZES 25, 37 & 50

CLAMP FOR SIZES 9 & 15



Bill of material		
components	Hood kit	Kit for 2 exit use
1/2 Hood	2	0
Screw	2	2
Tapping Screw	3	0
Tie Wrap	1	1
Clamp	1	1

Shell size	Number of contacts	A±0.3	B±0.3	C±0.3	With clamp		Without clamp		PART NUMBER		
					D±0.2	E		F±0.5	G±0.5	Metalized hood	Kit for 2 exit use *
						mini	maxi				
E	09	29.80	15.50	24.25	6.00	0.25	10.30	8.00	11.70	863093C09MLF	863093CEALF
A	15	29.80	15.50	32.50	6.00	0.25	10.30	8.00	11.70	863093C15MLF	
B	25	46.80	15.50	46.00	13.90	2.30	10.30	16.20	11.70	863093C25MLF	863093CBCLF
C	37	46.80	15.50	60.50	13.90	2.30	10.30	16.20	11.70	863093C37MLF	
D	50	48.80	18.00	56.50	15.60	3.90	12.60	18.00	14.00	863093C50MLF	863093CDLF

Dimensions are in millimeters

* additional accessories to be ordered separately

NOTE: RoHS INFORMATIONS

- The "LF" product meets European union Directives and other country regulations as described in GS-47-0004.
- The product is not intended to be exposed to a manufacturing solder process.
- Packaging spec: see GS-14-920.

mat'l. code				surface <input checked="" type="checkbox"/> ISO 1302 <input checked="" type="checkbox"/> ISO 406 <input type="checkbox"/> ISO 1101		tolerance		projection		product family	
-				tolerances unless otherwise specified		MM		D-SUB		-	
ltr	ecn no	dr	date	angles	linear	scale 2		title		UNIVERSAL PLASTIC HOOD	
H	ELX-I-15253	MP	2013/07/16	±2°				dwg no		sheet 1 of 1	size 5
-	-	-	-					C01-8655-1620		A3	
C	LS07-0300	MPE	2007/11/21					type		CUSTOMER Drawing	
D	LS07-0319	MPE	2007/12/18	dr	MITHUN PAUL	2013/06/27		FCI			
E	LS07-0321	MPE	2007/12/19	engr	MITHUN PAUL	2013/06/27					
F	I11-0091	AMR	2011/05/14	chr	MITHUN PAUL	2013/07/16					
G	ELX-I-15087	MP	2013/06/27	appd	BIJU K PAUL	2013/07/16					
sheet index	revision sheet	H	1								

Copyright FCI

Mouser Electronics

Authorized Distributor

Click to View Pricing, Inventory, Delivery & Lifecycle Information:

[FCI / Amphenol:](#)

[863093C50ALF](#) [863093C37MLF](#) [863093C25MLF](#) [863093C50MLF](#) [863093C15MLF](#) [863093C09MLF](#)