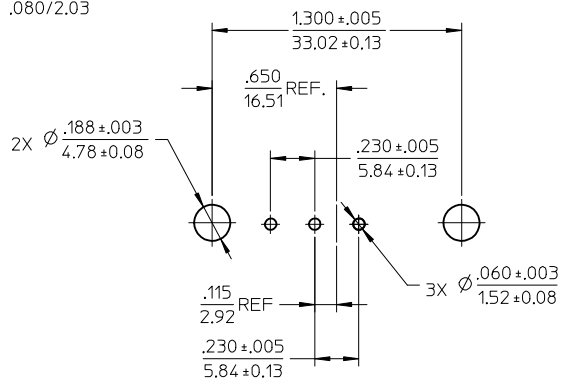
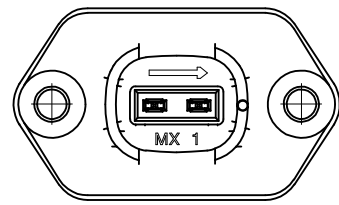
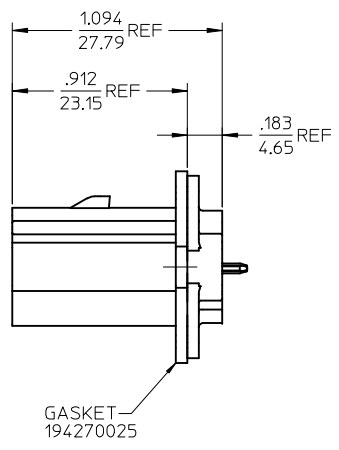
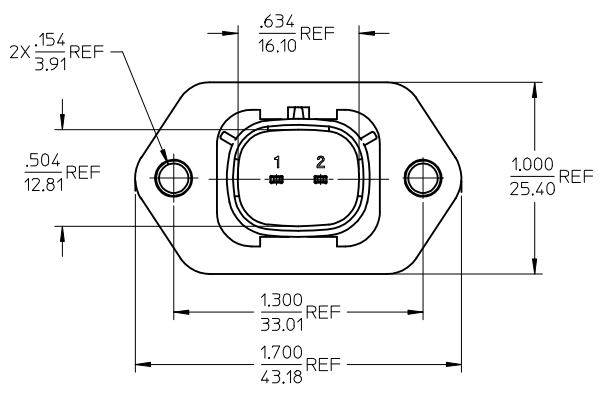


RECOMMENDED PANEL CUTOUT - MAX PANEL THICKNESS .080/2.03



RECOMMENDED PCB LAYOUT COMPONENT SIDE  
TOLERANCES ARE NON-ACCUMULATIVE



MATERIAL NUMBER	TERMINAL PLATING
194280009	TIN
194280025	SELECT GOLD/TIN

- NOTES:
- MATERIALS:  
HOUSING: POLYESTER (PBT), GLASS FILLED, UL94 V-0,  
COLOR: BLACK  
TERMINALS: COPPER ALLOY
  - FINISHES: 1. TIN ONLY: 100μM TIN OVER 50μM NICKEL  
2. TIN/GOLD: 30μM SELECT GOLD (CONTACT MATING AREA),  
100μM SELECT TIN (PCB TAIL AREA) OVER 50μM NICKEL OVERALL.
  - PRODUCT SPECIFICATION: PS-19428-001.
  - PACKAGING SPECIFICATION: PK-19428-002.
  - MATES WITH: 19418 SERIES RECEPTACLE ASSEMBLIES.

<b>PRODUCTION RELEASE</b> EC NO: ETC2005-0213 DRWN: JPAWLCK 2005/06/10 CHKD: JPAWLCK 2005/06/14 APPR: RDEROSS 2005/06/14	QUALITY SYMBOLS $\nabla=0$ $\nabla=0$	GENERAL TOLERANCES (UNLESS SPECIFIED) <table border="1"> <tr> <th></th> <th>mm</th> <th>INCH</th> </tr> <tr> <td>4 PLACES</td> <td>± ---</td> <td>± ---</td> </tr> <tr> <td>3 PLACES</td> <td>± ---</td> <td>± .015</td> </tr> <tr> <td>2 PLACES</td> <td>± 0.38</td> <td>± ---</td> </tr> <tr> <td>1 PLACE</td> <td>± ---</td> <td>± ---</td> </tr> </table>		mm	INCH	4 PLACES	± ---	± ---	3 PLACES	± ---	± .015	2 PLACES	± 0.38	± ---	1 PLACE	± ---	± ---	DIMENSION STYLE <b>IN/MM</b>	SCALE <b>2:1</b>	DESIGN UNITS <b>INCH</b>	THIRD ANGLE PROJECTION
		mm	INCH																		
	4 PLACES	± ---	± ---																		
	3 PLACES	± ---	± .015																		
2 PLACES	± 0.38	± ---																			
1 PLACE	± ---	± ---																			
DRAWN BY BRUPERT	DATE 04/06/23	TITLE <b>2-WAY STRAIGHT HEADER ASSEMBLY, SHORT VERSION</b>																			
CHECKED BY JPAWLCK	DATE 04/06/23	MATERIAL NO. <b>SEE CHART</b>																			
APPROVED BY RDEROSS	DATE 04/06/23	DOCUMENT NO. <b>SD-19428-001</b>																			
REV <b>A</b>	DESCRIPTION	DRAFT WHERE APPLICABLE MUST REMAIN WITHIN DIMENSIONS	SIZE <b>C</b>	THIS DRAWING CONTAINS INFORMATION THAT IS PROPRIETARY TO MOLEX INCORPORATED AND SHOULD NOT BE USED WITHOUT WRITTEN PERMISSION																	